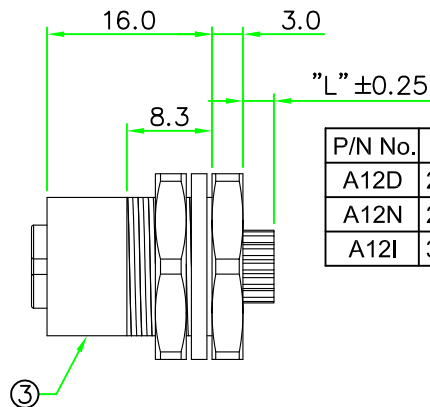


Recommended Panel Cut-Out

RoHS

IP66~68

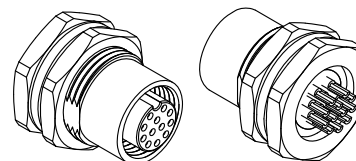


P/N No.	L
A12D	2.0
A12N	2.0
A12I	3.0

REV.	DESCRIPTION	DATE
A	ISSUE	Dec/15/2016

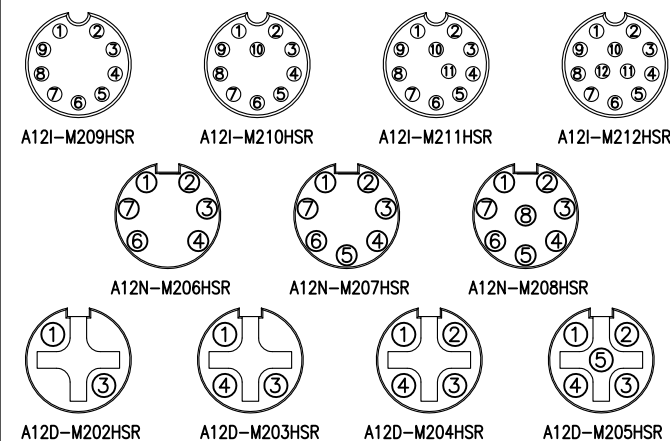
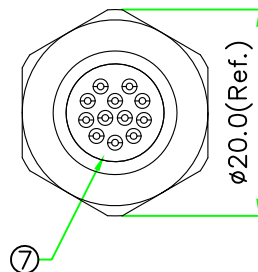
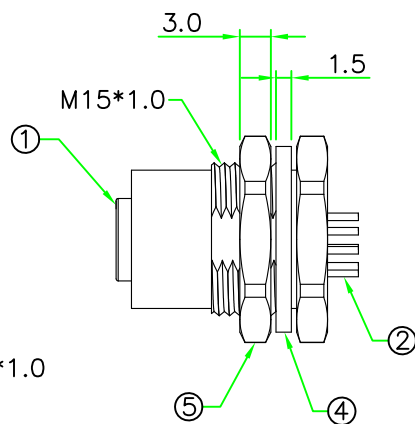
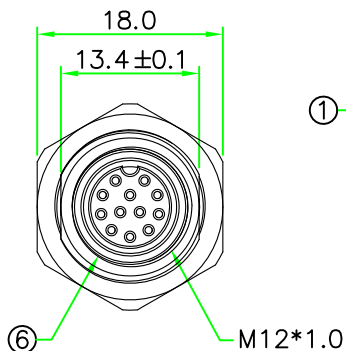
NOTES:

- ELECTRICAL CHARACTERISTICS:  
CURRENT RATING: 1.5A / 2A / 4A  
TEMPERATURE RANGE: -25°C TO +85°C  
DIELECTRIC WITHSTANDING VOLTAGE:  
500V AC FOR ONE MINUTE
- PANEL THICKNESS MAX. 3.0mm
- HOW TO ORDER: A12x-M2xxHSR



- 02 - 2 PIN
- 03 - 3 PIN
- 04 - 4 PIN
- 05 - 5 PIN
- 06 - 6 PIN
- 07 - 7 PIN
- 08 - 8 PIN
- 09 - 9 PIN
- 10 - 10PIN
- 11 - 11PIN
- 12 - 12PIN

- I - CURRENT RATING 1.5A
- N - CURRENT RATING 2A
- D - CURRENT RATING 4A



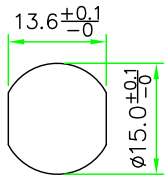
PIN ASSIGNMENT FRONT VIEW (前視圖)

7	GLUE	EPOXY.	BLACK		
6	O-RING	VITON.	BLACK	1	
5	HEX NUT	NYLON+GF.		1	
4	GASKET	EPDM.	BLACK	1	
3	HOUSING	NYLON+GF.		1	
2	CONTACT	BRASS, 6 u" Gold Plated. Female Contact.		N	
1	CONNECTOR	M12 A-Coding Female Connector Insert. NYLON+GF.	BLACK	1	
No.	PART NAME	DESCRIPTION	COLOR	Q'TY	REMARKS

**HOLIN®** HTP ASIA TECHNOLOGY CO., LTD.  
禾凌科技股份有限公司

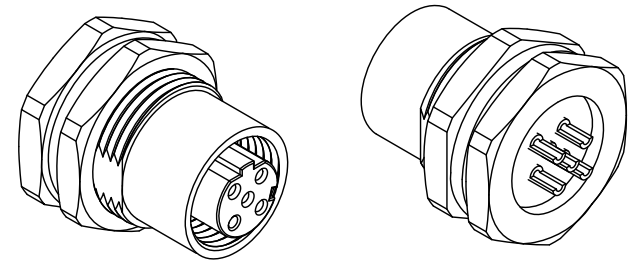
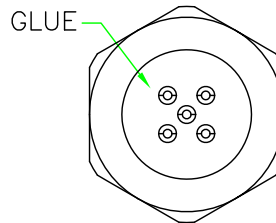
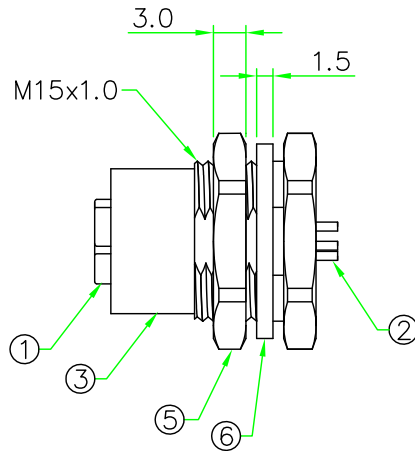
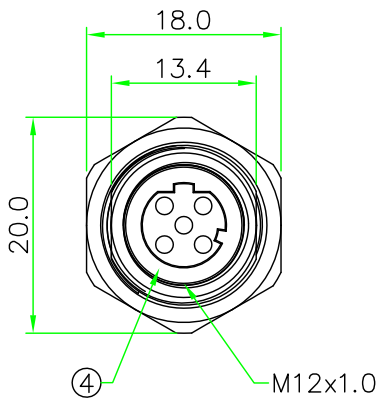
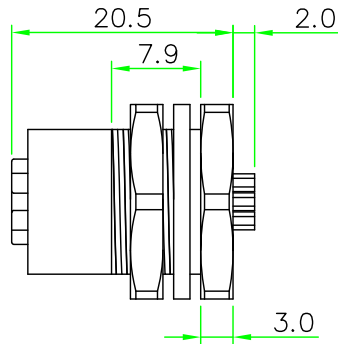
	UNIT: mm	TITLE	M12 A-Coding Female Panel Connector Rear Mount Hex Flange With Solder Bucket Pin
SCALE	1.5:1	P/N:	A12x-M2xxHSR
UNLESS OTHERWISE SPECIFIED TOLERANCES: x ±0.5 xx ±0.25 xxx ±0.1 ANGLE ± 1'		DR.	JACK
REV.	SHEET 1/1	CH.	ERIC
A		DWG.NO:	A12x-M2xxHSR
		AP.	

REV.	DESCRIPTION	DATE
A	ISSUE	Jun/21/2016



Recommended Panel Cut Out

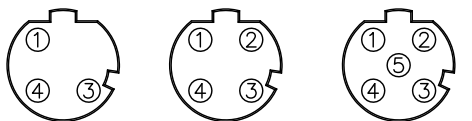
**RoHS**  
**IP66~68**



**NOTES:**

- ELECTRICAL CHARACTERISTICS:  
CURRENT RATING: 4A  
TEMPERATURE RANGE: -25°C TO +85°C  
DIELECTRIC WITHSTANDING VOLTAGE: 500V AC FOR ONE MINUTE
- PANEL THICKNESS MAX. : 3mm
- HOW TO ORDER: D12D-M2xxHSR

- 03 - 3 PIN
- 04 - 4 PIN
- 05 - 5 PIN

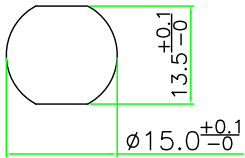


D12D-M203HSR    D12D-M204HSR    D12D-M205HSR

Pin Assignment Front View (前視圖)

No.	PART NAME	DESCRIPTION	COLOR	Q'TY	REMARKS
6	GASKET	EPDM.	BLACK	1	
5	HEX NUT	Brass, Nickel Plated.		1	
4	O-RING	VITON.	BLACK	1	
3	HOUSING	Brass, Nickel Plated.		1	
2	CONTACT	Brass, 6 u" Gold Plated. Female Contact.		N	
1	CONNECTOR	M12 D-Coding Female Connector Insert. NYLON+GF.	BLACK	1	

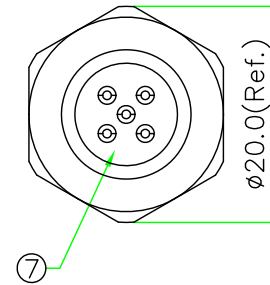
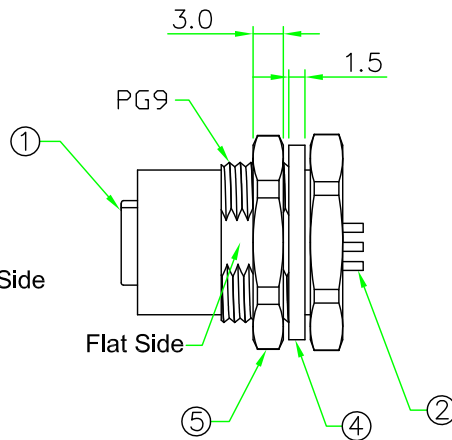
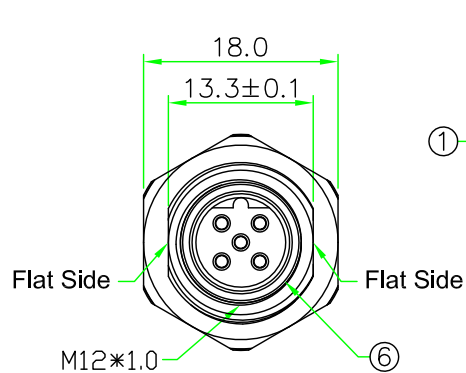
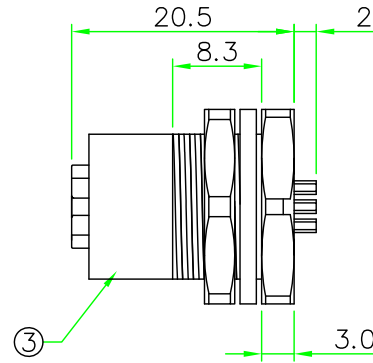
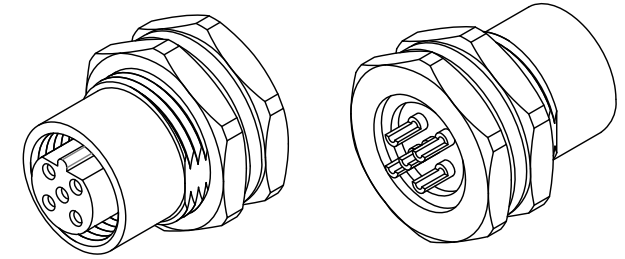
<b>HOLIN<sup>®</sup></b> HTP ASIA TECHNOLOGY CO., LTD. 禾凌科技股份有限公司	
	UNIT: mm
	SCALE 1.5:1
TITLE : M12 D-Coding Female Panel Connector Rear Mount Hex Flange Solder Bucket Pin	
UNLESS OTHERWISE SPECIFIED TOLERANCES: .x ± 0.5 .xx ± 0.25 .xxx ± 0.1 ANGLE ± 1°	
REV. A	SHEET 1/1
P/N: D12D-M2xxHSR	DR. Patty
DWG.NO: D12D-M2xxHSR	CH. ERIC
	AP.



Recommended Panel Cut-Out

RoHS  
IP66~68

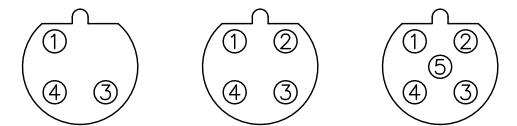
REV.	DESCRIPTION	DATE
A	ISSUE	Sep/24/2015



NOTES:

- ELECTRICAL CHARACTERISTICS:  
CURRENT RATING: 4A  
TEMPERATURE RANGE: -25°C TO +85°C  
DIELECTRIC WITHSTANDING VOLTAGE:  
500V AC FOR ONE MINUTE
- PANEL THICKNESS MAX. 3.0mm
- HOW TO ORDER: B12D-M2xxHSR

- 03 - 3 PIN
- 04 - 4 PIN
- 05 - 5 PIN



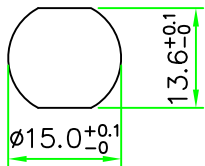
B12D-M203HSR B12D-M204HSR B12D-M205HSR

PIN ASSIGNMENT FRONT VIEW

(前視圖)

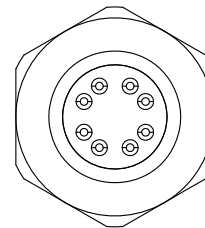
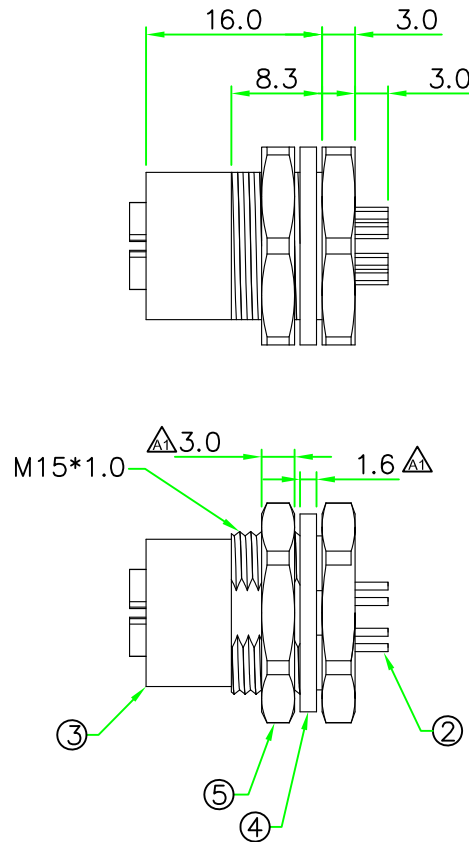
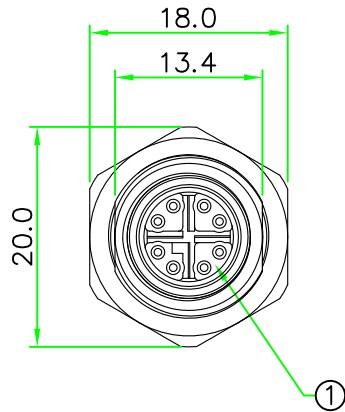
7	GLUE	EPOXY.	BLACK		
6	O-RING	VITON.	BLACK	1	
5	HEX NUT	Brass, Nickel Plated.		1	
4	GASKET	EPDM.	BLACK	1	
3	HOUSING	Brass, Nickel Plated.		1	
2	CONTACT	Brass, 6 u" Gold Plated . Female Contact.		N	
1	CONNECTOR	M12 B-Coding Female Connector Insert. NYLON+GF.	BLACK	1	
No.	PART NAME	DESCRIPTION	COLOR	Q'TY	REMARKS

HOLIN® HTP ASIA TECHNOLOGY CO., LTD. 禾凌科技股份有限公司					
		UNIT: mm	TITLE M12 B-Coding Female Panel Connector Rear mount Hex Flange With Solder Bucket Pin		
SCALE	1.5:1	P/N: B12D-M2xxHSR			
UNLESS OTHERWISE SPECIFIED TOLERANCES: X ±0.5 XX ±0.25 XXX ±0.1 ANGLE ± 1'		DR.	Patty		
REV.	SHEET	DWG.NO: B12D-M2xxHSR		CH. ERIC	
A	1/1			AP.	

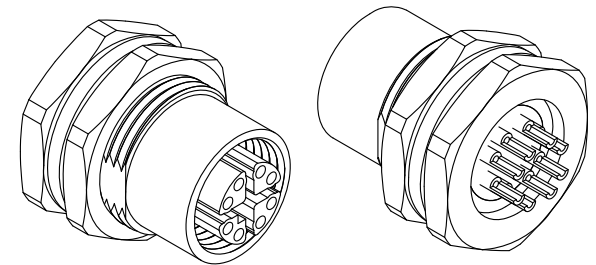


Recommended Panel Cut-Out

RoHS



REV.	DESCRIPTION	DATE
A	ISSUE	Jul/11/2014
A1	Correct gasket & nut thickness	Oct/30/2014



NOTES:

- ELECTRICAL CHARACTERISTICS:  
CURRENT RATING: 0.5A  
TEMPERATURE RANGE: -25°C TO +85°C  
DIELECTRIC WITHSTANDING VOLTAGE:  
500V AC FOR ONE MINUTE
- PANEL THICKNESS MAX. 3.5mm



PIN ASSIGNMENT FRONT VIEW

(前視圖)

5	HEX NUT	Brass, Nickel Plated.		1	
4	GASKET	Rubber.	BLACK	1	
3	HOUSING	Brass, Nickel Plated.		1	
2	CONTACT	Brass , 6 u" Gold Plated . Female Contact.		8	
1	CONNECTOR	M12 X-Coding Female Connector Insert.NYLON+GF.	BLACK	1	
No.	PART NAME	DESCRIPTION	COLOR	Q'TY	REMARKS

**HOLIN**® HTP ASIA TECHNOLOGY CO., LTD.  
禾凌科技股份有限公司

	UNIT: mm	TITLE	M12 X-Coding Female Panel Connector Rear mount Hex Flange With Solder Bucket Pin	
SCALE	1.5:1	P/N:	X12I-M208HSR	DR. Patty
UNLESS OTHERWISE SPECIFIED TOLERANCES: .X ± 0.25 .XX ± 0.1 .XXX ± 0.05 ANGLE ± 1°		REV.	A1	CH. ERIC
REV.	SHEET	DWG.NO:	X12I-M208HSR	AP.
	1/1			