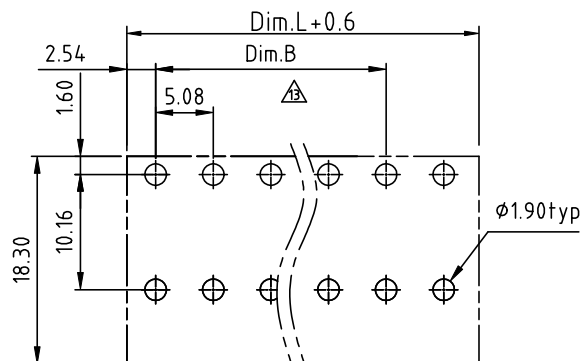
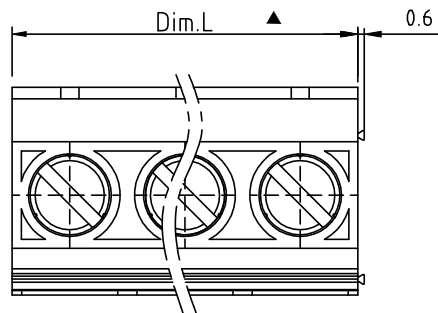
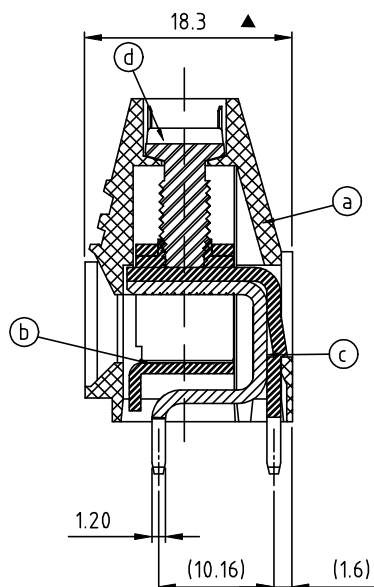
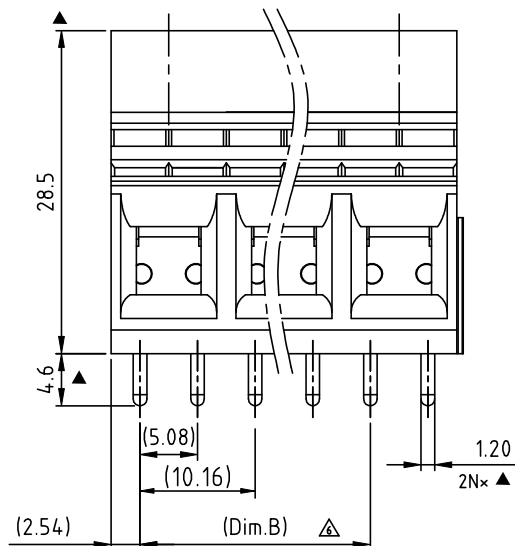


RoHS Compliant



P.C.B. LAYOUT
TOP VIEW



- VP xx 65 x 5 xxxx G
- 02 2 POLES
 - 03 3 POLES
 -
 - 12 12 POLES
- Body color
- 0 Black (RAL9005)
 - 2 Red (RAL3001/D)
 - 3 Orange(RAL2011/P)
 - 4 Yellow(RAL1018/A)
 - 5 Green(RAL6018/T)
 - 6 Blue (RAL5015/A)
 - 8 Grey(RAL7035/D)
 - 9 White(RAL1102)
 - C Green (RAL 6018/U)
- 0000:"@ "Logo (Standard)
000A:"ANYTEK"Logo
Any special item by customer request, please contact sales department.
- RoHS compliant (lead<4%)
In copper Alloy

N = Number of poles
Dim.L=Nx10.16
Dim.B=(N-1)x10.16

	Dim.L
2-4p	± 0.15
5-8p	± 0.25
9-12p	± 0.35

Rev.	SIGN	DATE	DESCRIPTION	APPROVER
G	△	12/12'07	The screw changed from M4 to M4.5	Aaron
H	△	4/01'09	Current,wire range, operating temperature are changed	Jody
I	△	11/20'09	The longest poles changed from 24P to 12P	Aaron
	△	11/20'09	Wire guard solder pin is changed from Brass to Copper	Aaron
J	△	05/20'15	Added VDE logo	Airy min
K	△	07/08'19	Update the Dim.B dimension.	Guoxue
	△	07/08'19	Add the Critical dimension:&Reference dimension	Guoxue
	△	07/08'19	Add the Rohs and Amphenol Logo.	Guoxue
	△	07/08'19	Add the "Wave Soldering temperature: 260°C±5°C/5 Sec"	Guoxue
	△	07/08'19	Update the "color code"	Guoxue
	△	07/08'19	Add the VDE "Torque 1.8N.m"	Guoxue
	△	07/08'19	Delta "Dim.B tol."	Guoxue
△	07/08'19	Update the Dim.B dimension.	Guoxue	

THIS IS CAD DRAWING, DO NOT REVISE MANUALLY!!!

- Material:
- Item③ Terminal housing :Thermoplastic (UL 94V-0)
 - Item④ Clamp : Steel stamping , Zinc plated
 - △ ● Item⑤ Wire guard solder pin : Copper ,Bright Tin plated over Nickel plated.
 - Item⑥ Terminal screw: Steel Zinc plating"-slot type
- | | | |
|----------------------------------|-----------------|--|
| Electrical | cULus | VDE △ |
| ● Voltage rating : | 300V | 250V |
| △ ● Current rating : | 65A | 76A |
| ● Wire range : | | 0.5-16mm ² (Solid & Stranded) /0.5-10mm ² (flexible) |
| △ ● Solid wire (AWG) : | 6-20 | |
| △ ● Stranded wire (AWG) : | 6-20 | |
| ● Torque : | 19Lb-In | 1.8N.m △ |
| △ ● Withstanding voltage : | 1.6KV | 2.0KV |
| ● Screw : | M4.5 | |
| ● Wire strip length : | 10~11mm | |
| △ ● Operating temperature : | -40°C to +115°C | |
| △ ● Wave Soldering temperature : | 260°C+5°C/5 Sec | |
| ● Safety Approval : | cULus | VDE |
| △ ● Critical dimension : | ▲ | |
| △ ● Reference dimension : | (×) | |
- The dimensions of pitch are just for reference, take the actual assembly result as a judgment when inserting the terminal block into the PCB hole.

		CUSTOMER COPY <small>ALL RIGHTS RESERVED. REPRODUCTION OR ISSUE TO THIRD PARTIES IN ANY FORM WHATSOEVER IS NOT PERMITTED WITHOUT WRITTEN AUTHORITY FROM THE PROPRIETOR. PROPERTY OF ANYTEK TECHNOLOGY CO., LTD</small>					
						TITLE VP 10.16 Series 2P-12P (double contact)	
PART NO.		VPxx65x5xxxxG		DWG NO.		8VP0004	
APPROVED		CHECKED	DESIGNED	DRAWN	CUST NO.		Tolerance
			Guoxue 2019.07.08	Guoxue 2019.07.08			X. ±0.50 X.X ±0.30 X.XX ±0.10 X° ±1°
		SHEET: 01/01		REV.: K			