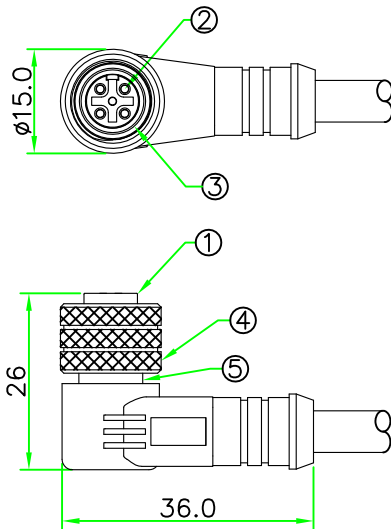
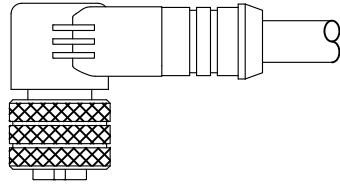


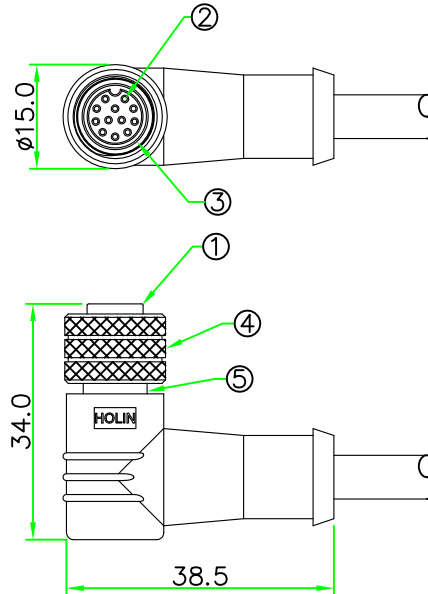
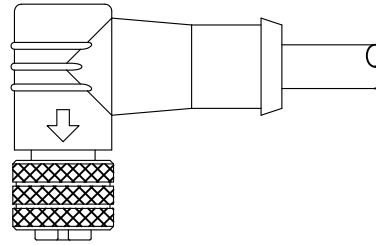
RoHS

IP66~68

2~5PIN



6~12PIN



REV.	DESCRIPTION	DATE
A	ISSUE	Dec/22/2009
B	Add 12 poles.	Jan/11/2010
B1	Add 2.6.7.9.10.11 pin assignment	Jan/11/2016

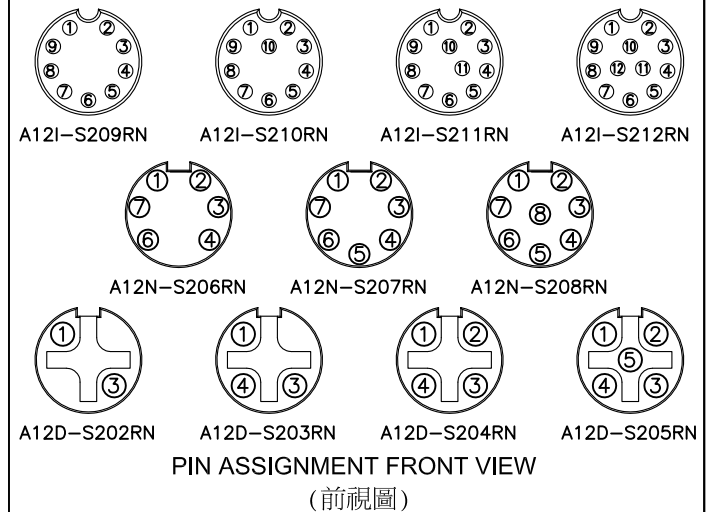
NOTES:

- ELECTRICAL CHARACTERISTICS:  
CURRENT RATING: 1.5A / 2A / 4A  
TEMPERATURE RANGE: -20°C TO +80°C  
DIELECTRIC WITHSTANDING VOLTAGE:  
500V AC FOR ONE MINUTE

2. HOW TO ORDER: A12x-S2xxRN

- 02 - 2 PIN
- 03 - 3 PIN
- 04 - 4 PIN
- 05 - 5 PIN
- 06 - 6 PIN
- 07 - 7 PIN
- 08 - 8 PIN
- 09 - 9 PIN
- 10 - 10PIN
- 11 - 11PIN
- 12 - 12PIN

- I - CURRENT RATING 1.5A
- N - CURRENT RATING 2A
- D - CURRENT RATING 4A



**HOLIN**® HTP ASIA TECHNOLOGY CO., LTD.  
禾凌科技股份有限公司

5	METAL SHELL	BRASS, Nickel Plated.		1	
4	RING NUT	BRASS, Nickel Plated.		1	
3	O-RING	VITON.	BLACK	1	
2	CONTACT	BRASS, 6 u" Gold Plated. Female Contact.		N	
1	CONNECTOR	M12 A-Coding Female Connector Insert. NYLON+GF.	BLACK	1	
No.	PART NAME	DESCRIPTION	COLOR	Q'TY	REMARKS

	UNIT: mm	TITLE	M12 A-Coding Female Shielded R/A Molded Cable
	SCALE	1:1	
UNLESS OTHERWISE SPECIFIED TOLERANCES: X ±0.5 XX ±0.25 XXX ±0.1 ANGLE ± 1'		P/N:	A12x-S2xxRN
REV.	SHEET	DWG.NO:	A12x-S2xxRN
B1	1/1		
		DR.	Patty
		CH.	ERIC
		AP.	