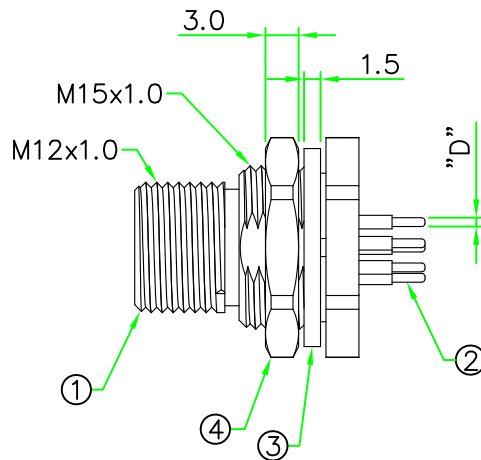
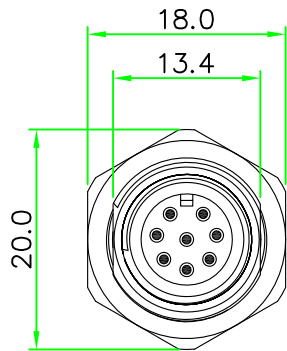
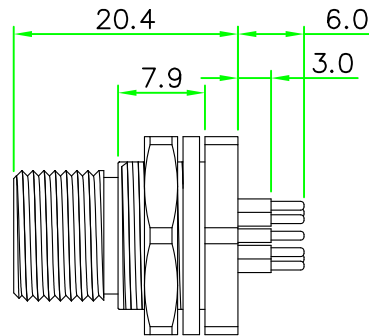
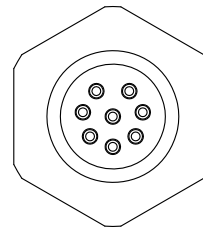


Recommended  
Panel Cut-Out

**RoHS**  
**IP66~68**



PIN	D
A12D	φ0.8
A12N	φ0.6
A12I	



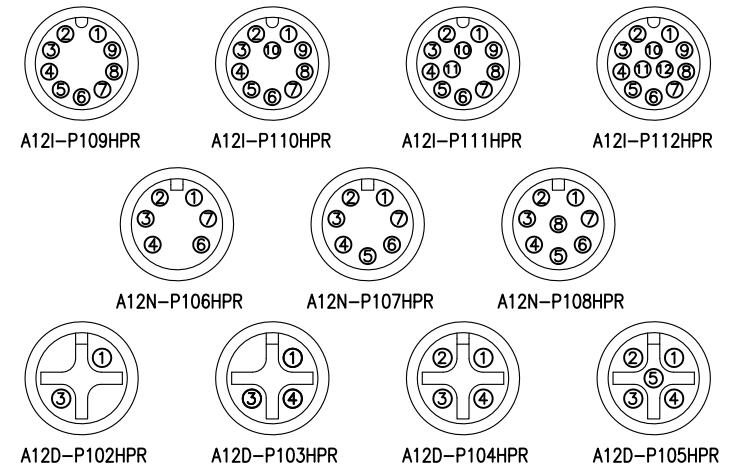
REV.	DESCRIPTION	DATE
A	ISSUE	Oct/08/2014

NOTES:

- ELECTRICAL CHARACTERISTICS:  
CURRENT RATING: 1.5A / 2A / 4A  
TEMPERATURE RANGE: -25°C TO +85°C  
DIELECTRIC WITHSTANDING VOLTAGE:  
500V AC FOR ONE MINUTE
- PANEL THICKNESS MAX. 3.0mm
- HOW TO ORDER: A12x-P1xxHPR

- 02 - 2 PIN
- 03 - 3 PIN
- 04 - 4 PIN
- 05 - 5 PIN
- 06 - 6 PIN
- 07 - 7 PIN
- 08 - 8 PIN
- 09 - 9 PIN
- 10 - 10PIN
- 11 - 11PIN
- 12 - 12PIN

- I - CURRENT RATING 1.5A
- N - CURRENT RATING 2A
- D - CURRENT RATING 4A



PIN ASSIGNMENT FRONT VIEW

(前視圖)

**HOLIN®** HTP ASIA TECHNOLOGY CO., LTD.  
禾凌科技股份有限公司

	UNIT: mm	TITLE	M12 A-Coding Male Panel Connector Rear mount Hex Flange With PCB Pin
SCALE	1.5:1	P/N:	A12x-P1xxHPR
UNLESS OTHERWISE SPECIFIED TOLERANCES: .X ± 0.25 .XX ± 0.1 .XXX ± 0.05 ANGLE ± 1'		DR.	Patty
REV.	SHEET	CH.	ERIC
A	1/2	DWG.NO:	A12x-P1xxHPR
		AP.	

No.	PART NAME	DESCRIPTION	COLOR	Q'TY	REMARKS
4	HEX NUT	NYLON+GF.		1	
3	GASKET	EPDM.	BLACK	1	
2	CONTACT	Brass , 6 u" Gold Plated . Male Contact.		N	
1	CONNECTOR	M12 A-Coding Male Connector Insert.NYLON+GF.	BLACK	1	

