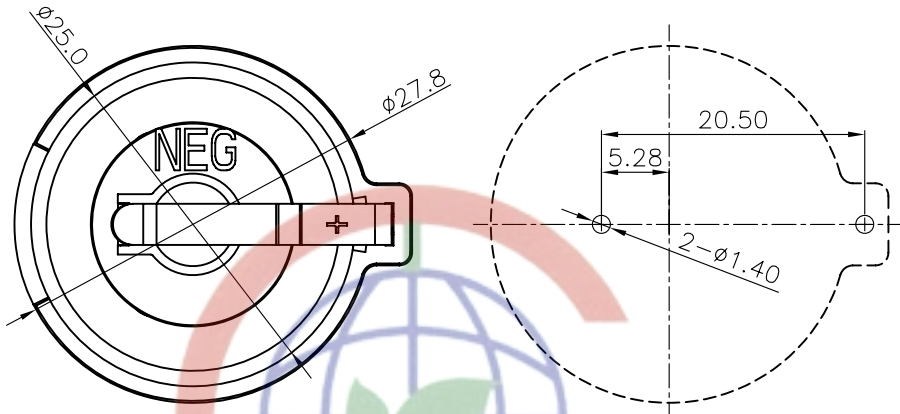
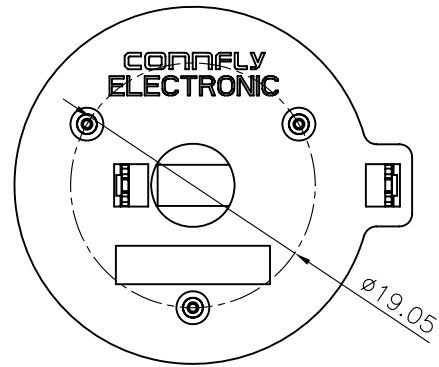
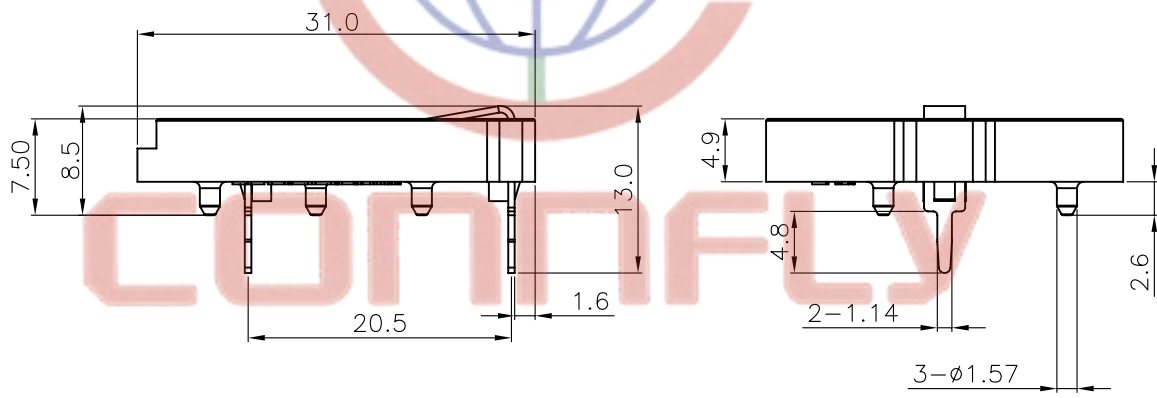


REV.	DESCRIPTION	DRAWN	CHECKED	APPROVED
A	NEW RELEASE	YCH 12/03/10'	~	LJC 12/03/10'



Recommend PCB Layout  
Tolerance=±0.05

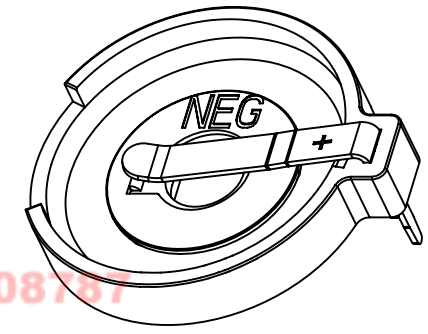


NOTE:

- Materials:
  - 1.1 Base: PBT, UL94 V-0, Color of black. Temp. Range: -50°C to +145°C.
  - 1.2 Positive & Negative Contacts: 0.5t Spring Steel.
  - 1.3 Contact Plating: Nickel.
- Specification:
  - 2.1 Dielectric Withstanding Voltage: AC 500V AC.
  - 2.2 Insulation Resistance: 1000MΩ min.
  - 2.3 Current Rating: 3A.
- Part Number Code:
 

DS1092 - X X X

— Housing material:  
P: PBT  
— Contact plating:  
N: Nickel  
— Housing color:  
B: Black



Tel: 86-574-63508787

Fax: 86-574-63510817

E-mail: sale@zhengjin.com.cn

Http://www.zhengjin.com.cn

Add.: West Taobao (WuXi) China

GENERAL TOLERANCE	ANGLE TOLERANCE	PROJECTION		TITLE	24mm Lithium Coin Cell Battery Holders
X. ±0.60	X. ±5°	UNITS	mm	SHEET SIZE	DS1092 Series
.X ±0.38	.X ±3°		A4		
.XX ±0.25	.XX ±2°				
DRAWING TYPE	CUSTOMER	晨翔电子有限公司 <b>CONNFLY CONNFLY ELECTRONIC CO. LTD</b>			
SCALE	1:1 SHEET 10F1				
DRAWING NO.	C-DS1092-XXX-A				