



SBL3065C

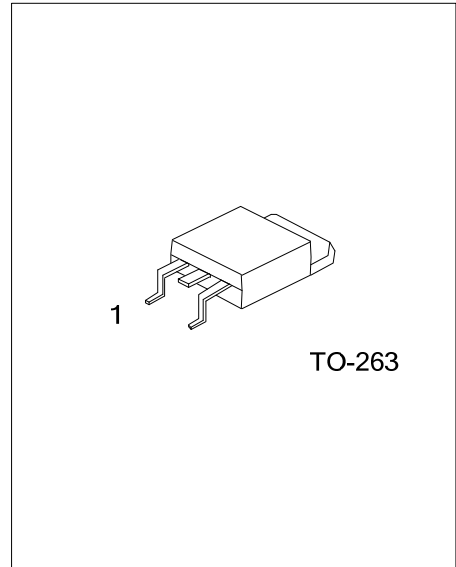
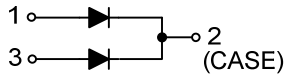
DIODE

SCHOTTKY BARRIER RECTIFIER DIODES

FEATURES

- * Guard Ring for Transient Protection
- * Low Power Loss, High Efficiency
- * High Surge Capability
- * High Current Capability and Low Forward Voltage Drop

SYMBOL



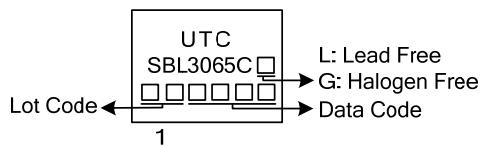
ORDERING INFORMATION

Order Number		Package	Pin Assignment			Packing
Lead Free	Halogen Free		1	2	3	
SBL3065CL-TQ2-T	SBL3065CG-TQ2-T	TO-263	A	K	A	Tube
SBL3065CL-TQ2-R	SBL3065CG-TQ2-R	TO-263	A	K	A	Tape Reel

Note: Pin Assignment: A: Anode K: Cathode

<p>SBL3065CL-TQ2-T</p>	<p>(1) T: Tube</p> <p>(2) TA3: TO-220</p> <p>(3) L: Lead Free, G: Halogen Free and Lead Free</p>
------------------------	--

MARKING



■ ABSOLUTE MAXIMUM RATINGS ($T_A=25^{\circ}\text{C}$, unless otherwise specified)

PARAMETER		SYMBOL	RATINGS	UNIT
Recurrent Peak Reverse Voltage		V_{RRM}	65	V
RMS Voltage		V_{RWM}	65	V
DC Blocking Voltage		V_R	65	V
Average Forward Rectified Current	Per Leg	$I_{F(AV)}$	15	A
	Per Package		30	
Peak Forward Surge Current 8.3ms Single Half Sine-Wave Superimposed on Rated Load Per Diode		I_{FSM}	160	A
Operating Junction Temperature		T_J	150	$^{\circ}\text{C}$
Storage Temperature		T_{STG}	-55~+150	$^{\circ}\text{C}$

Note: 1. Absolute maximum ratings are those values beyond which the device could be permanently damaged.

Absolute maximum ratings are stress ratings only and functional device operation is not implied.

2. Thermal resistance junction to case mounted on heatsink.

■ THERMAL CHARACTERISTICS ($T_A=25^{\circ}\text{C}$, unless otherwise noted.)

PARAMETER	SYMBOL	RATINGS	UNIT
Junction to Case	θ_{JC}		$^{\circ}\text{C}/\text{W}$

■ ELECTRICAL CHARACTERISTICS ($T_A=25^{\circ}\text{C}$, unless otherwise noted.)

PARAMETER	SYMBOL	TEST CONDITIONS	MIN	TYP	MAX	UNIT
Instantaneous Forward Voltage (Note 1)	V_F	$T_C=25^{\circ}\text{C}$, $I_F=15\text{A}$			0.75	V
Instantaneous Reverse Current at Rated DC Blocking Voltage Per Diode (Note 1)	I_R	$T_C=25^{\circ}\text{C}$			100	μA
		$T_C=100^{\circ}\text{C}$			75	mA

Notes: 1. Pulse Test: 300 μs pulse width, 1% duty cycle.

2. Measured at 1.0MHz and applied reverse voltage of 4.0V DC.

UTC assumes no responsibility for equipment failures that result from using products at values that exceed, even momentarily, rated values (such as maximum ratings, operating condition ranges, or other parameters) listed in products specifications of any and all UTC products described or contained herein. UTC products are not designed for use in life support appliances, devices or systems where malfunction of these products can be reasonably expected to result in personal injury. Reproduction in whole or in part is prohibited without the prior written consent of the copyright owner. The information presented in this document does not form part of any quotation or contract, is believed to be accurate and reliable and may be changed without notice.