

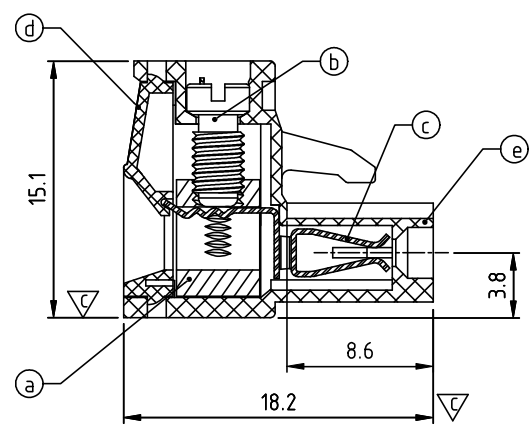
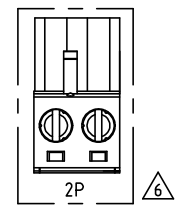
TJ xx 71x 0 xxxx G

No. OF POLES
 02 2 poles
 03 3 poles

 24 24 poles

COLOR
 0 Black (RAL9005)
 2 Red (RAL3001/D)
 3 Orange(RAL2011/P)
 4 Yellow(RAL1018/A)
 5 Green(RAL6018/T)
 6 Blue (RAL5015/A)
 8 Grey(RAL7035/D)
 9 White(RAL1102)
 C Green(RAL6018/U)

G RoHS compliant (lead<4%)
 In copper Alloy
 0000: "@" Logo (Standard) ⚠
 000A: "ANYTEK" Mark
 0091: "ANYTEK" Mark ⚠
 Any special item by customer request.
 please contact sales department.



⚠ ⚠ N= Number of poles

Dimension	Poles	Tolerance
Dim L N×5.0	2P-7P	±0.15
Dim B (N-1)×5.0	8P-12P	±0.25
Dim C N×5.0+0.10	13P-18P	±0.30
	19P-24P	±0.40

SIGN	DATE	DESCRIPTION	APPROVER
⚠	02/03'05	Part No. changed.	Marvin
⚠	06/26'06	Solid/Stranded wire(AWG) is changed from 12-22 to 12-24	Marvin
⚠	8/10'06	Added VDE and TUV standard	梁仁松
⚠	12/17'08	Add the tolerance table	Jacke
⚠	12/17'08	The temperature changed from -30°C,+105°C to -40°C,+115°C	Jacke
⚠	03/08'10	Add the 2P mark	Jacke
⚠	04/03'14	Update the drawing	Chen Bo
⚠	09/09'14	change the product number	Evan
⚠	10/20'14	change the product number	Evan

THIS IS CAD DRAWING, DO NOT REVISE MANUALLY!!

Material

- Item Ⓐ Clamp: Brass(CuZn) Ni plated
- Item Ⓑ Terminal screw: Steel Zinc plating "-" slot type
- Item Ⓒ Female contact: PhBz ,Tin plated
- Item Ⓓ Terminal Cover: Thermoplastic (UL94V-0)
- Item Ⓔ Terminal housing: Thermoplastic (UL94V-0)

Electrical cULus/VDE/TUV

- Voltage rating: 300VAC/300VAC/300VAC
- Current rating: 20A/20A/20A
- Wire range: 2.5mm²/0.34-2.5mm²
- Solid wire(AWG): 12-24
- Stranded wire(AWG): 12-24
- Torque: 5Lb-In/0.5Nm/0.56Nm
- Screw: M3
- Wire strip length: 7-8mm
- Withstanding Voltage: 1.6KV/2.5KV/2.5KV
- Operating temperature: -40°C to +115°C
- Safety Approval: cULus ⚠ VDE ⚠ TUV
- Critical dimension: ⚠

ANYTEK				CUSTOMER COPY			
ALL RIGHTS RESERVED. REPRODUCTION OR ISSUE TO THIRD PARTIES IN ANY FORM WHATSOEVER IS NOT PERMITTED WITHOUT WRITTEN AUTHORITY FROM THE PROPRIETOR. PROPERTY OF ANYTEK TECHNOLOGY CO., LTD							
TITLE		TJ-5.00mm Series					
PART NO.		TJxx71x0xxxxG			DWG NO.		8TJ0301
APPROVED		CHECKED	DESIGNED	DRAWN	CUST NO.		Tolerance
			Evan	Evan			X. ±0.50
			10/20'14	10/20'14			X.X ±0.30
							X.XX ±0.10
							X° ±1°
					SHEET: 01/01		REV.: J