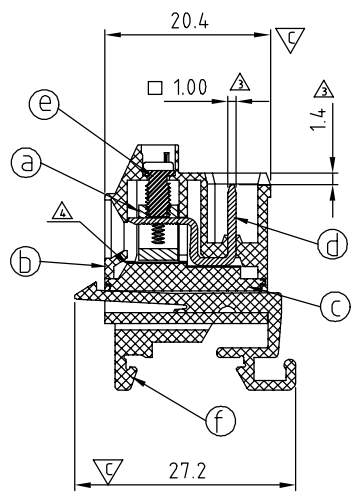
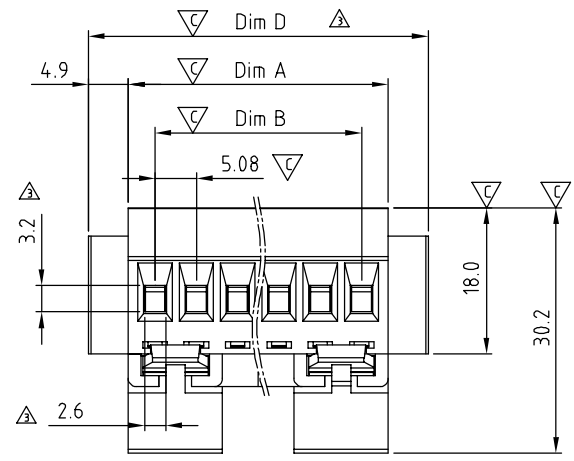


DIMENSION

Dim A	$N \times 5.08 + 1.52$
Dim B	$(N-1) \times 5.08$
Dim C	$(N-1) \times 5.08 + 10.16$
Dim D	$N \times 5.08 + 11.32$
Dim E	$(N-1) \times 5.08$

N= NUMBER OF CONCATS

Poles	Tolerance
2P-6P	± 0.20
7P-12P	± 0.25
13P-18P	± 0.30
19P-24P	± 0.40



SECTION P-P

SIGN	DATE	DESCRIPTION	APPROVER
△	2011.08.18	Torque(Lb-In) is changed from 5.2(Lb-In) to 4.4(Lb-In)	Aaron
△	2011.08.18	Add is cULus	Aaron
△	2011.08.18	The dimension are added	Aaron
△	2012.02.07	Add the positioning rib on rail slot base to prevent install wrongly.	Aaron
△	2012.04.09	Change the structure of nut and add the glue process	Venter

THIS IS CAD DRAWING, DO NOT REVISE MANUALLY!!

- Material:**
- Item ① Clamp: Brass Ni plated
 - Item ② Terminal(housing): Thermoplastic (UL94V-0)
 - Item ③ Terminal(cover): Thermoplastic (UL94V-0)
 - Item ④ Contact pin : Brass,Tin plated.
 - Item ⑤ Terminal screw: Steel Zinc plating solt "-"type M3
 - Item ⑥ Terminal(track): Thermoplastic (UL94V-0)
 - Item ⑨ With flange nut: Brass M2.5
- Electrical:** cULus
- Voltage rating:300V
 - Current rating: 12A
 - Wire range:
 - Solid wire(AWG):12-30
 - Stranded wire(AWG):12-30
- △ ● Torque(Lb-In): 4.4
- Screw:M3
 - Wire strip length: 6-7 mm
 - Withstanding Voltage: 1.6KV
 - Operating temperature: -40°C to +115°C
- △ ● Safety Approval:
- Critical dimension: ▽

V5 xx 51 x 3 xxxx G

No. OF POLES ————

02 2 CONTACTS

03 3 CONTACTS

... ..

24 24 CONTACTS

Color

0 Black (RAL9005)

5 Green(RAL6018/T)

6 Blue (RAL5015/A)

8 Grey(RAL7035/D)

C Green(RAL6018/U)

G RoHS compliant (lead<4%)

In copper Alloy

0000: "@" Logo (Standard)

000A: "ANYTEK" Mark

Any special item by customer request.

please contact sales

ANYTEK		CUSTOMER COPY	
ALL RIGHTS RESERVED. REPRODUCTION OR ISSUE TO THIRD PARTIES IN ANY FORM WHATSOEVER IS NOT PERMITTED WITHOUT WRITTEN AUTHORITY FROM THE PROPRIETOR. PROPERTY OF ANYTEK TECHNOLOGY CO., LTD			
TITLE	V5 - 5.08 Series 2P-24P (With Flange) Dinrail holder A type		
PART NO.	V5xx51x3xxxxG	DWG NO.	8V50004
APPROVED	CHECKED	DESIGNED	DRAWN
		Venter 2012.04.09	Venter 2012.04.09
SHEET: 01/01		Tolerance	
UNIT: mm		X.	± 0.50
SCALE: NONE		X.X	± 0.30
REV.: E		X.XX	± 0.10
		X°	$\pm 1°$