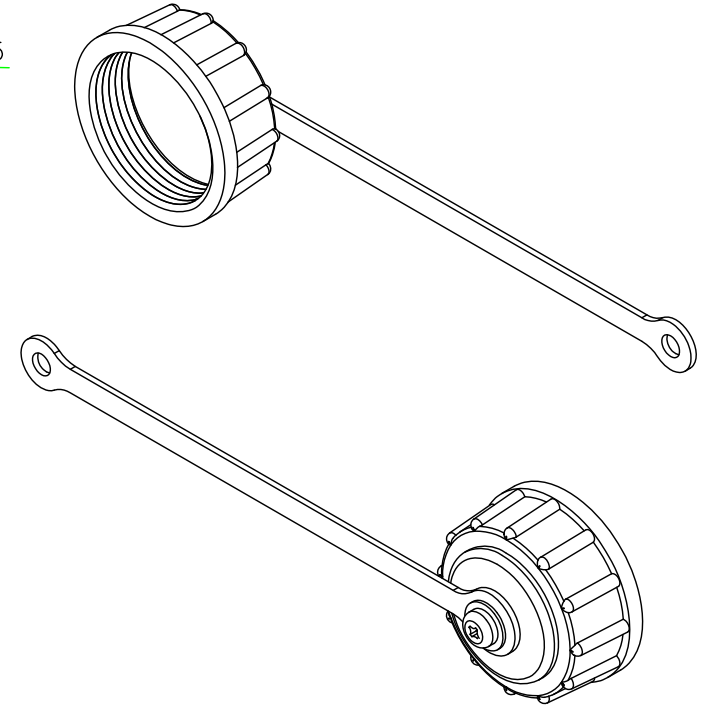
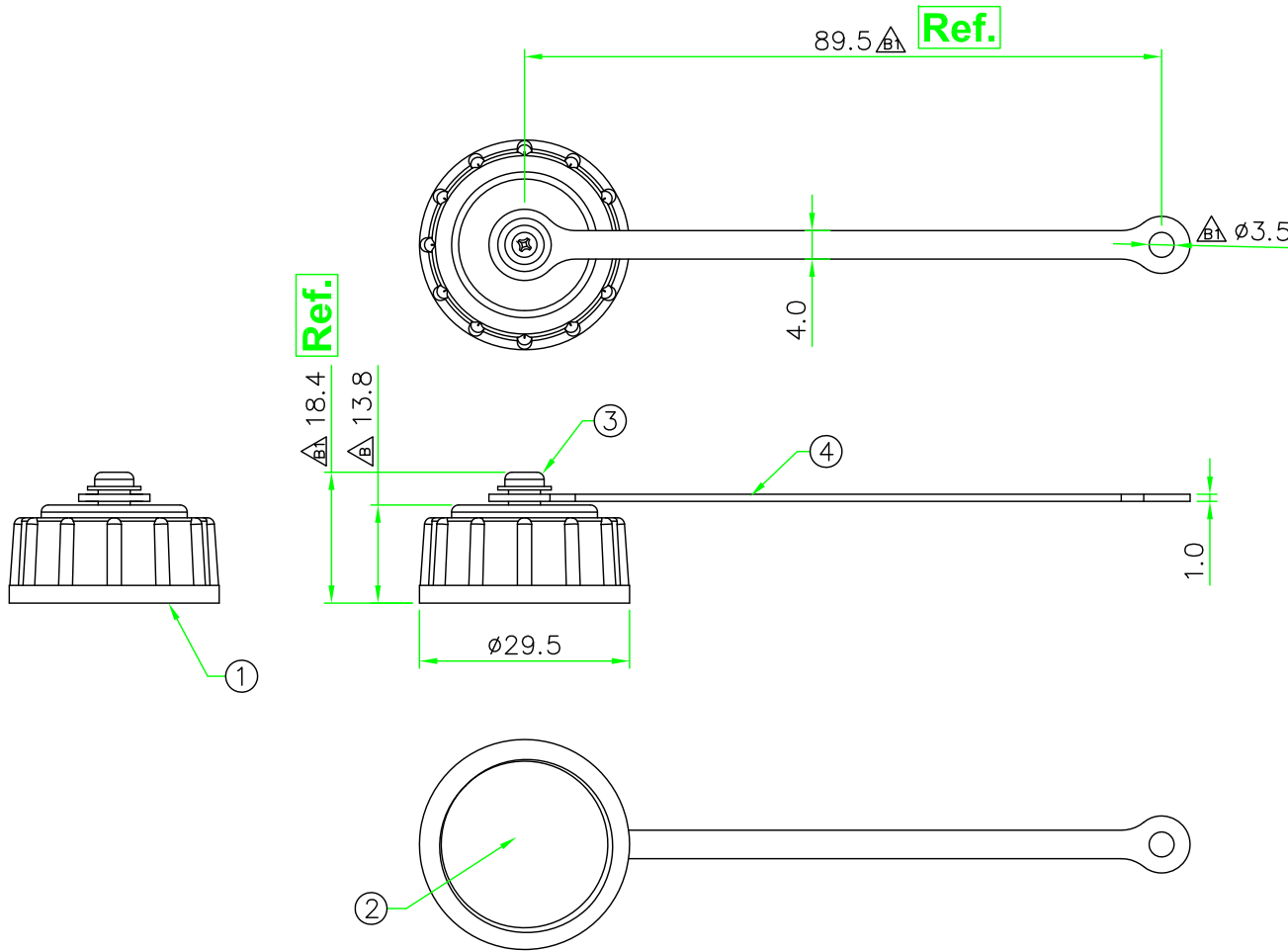


RoHS

| REV. | DESCRIPTION | DATE |
|------|---------------------|-------------|
| A | Issue | Sep/08/2011 |
| A1 | Change part number. | Mar/06/2014 |
| B | Change design | Jun/17/2014 |
| B1 | Correct dimension | May/18/2017 |



| 4 | CHAIN | Plastic Rubber. | BLACK | 1 | 59-135 |
|-----|-----------|---------------------------------|-------|------|-----------|
| 3 | SCREW | P \oplus /W=7.5 3x6 TP-1, SUS | | 1 | |
| 2 | GASKET | Plastic Rubber. | BLACK | 1 | |
| 1 | CAP | Screw Type Cap, NYLON+GF. | BLACK | 1 | 85-135-N2 |
| No. | PART NAME | DESCRIPTION | COLOR | Q'TY | REMARKS |

HOLIN[®] HTP ASIA TECHNOLOGY CO., LTD.
禾凌科技股份有限公司

UNLESS OTHERWISE SPECIFIED TOLERANCES:
 .x ± 0.25 .xx ± 0.1
 .xxx ± 0.05 ANGLE ± 1°

| | |
|-----------|--|
| UNIT: mm | TITLE : Waterproof Cap For D Size Male Connector Lock & Screw Type With Rubber Chain |
| SCALE 1:1 | P/N: \triangle CDX-WCAP-MC |
| REV. B1 | DWG.NO: \triangle CDX-WCAP-MC |
| SHEET 1/1 | DR. SIBYL CH. ERIC AP. |