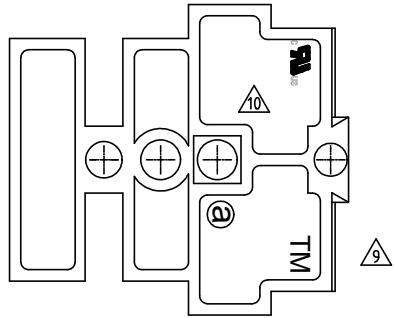
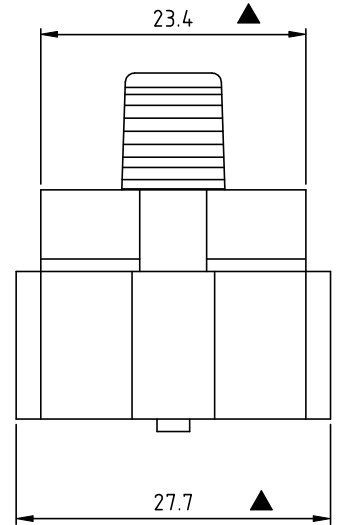
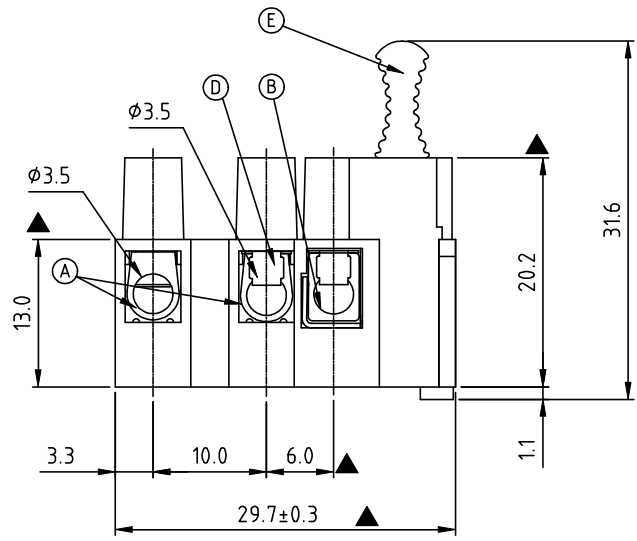
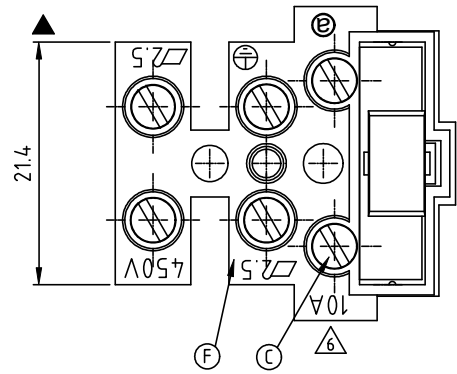


RoHS Compliant



Rev.	SIGN	DATE	DESCRIPTION	APPROVER
F	△	7/07'09	Electrical standard is changed from UL/cUL to cULus	Kind
	△	7/07'09	Current rating changed from 8A to 10A	Kind
	△	7/07'09	Operating tem. changed from -30°C ~ 105°C to -40°C ~ 115°C	Kind
	△	7/07'09	Add VDE Certification	Kind
G	△	2/03'12	Add the Elevation view	Chen Bo
H	△	09/11'20	Remove the "VDE"& VDE parameter.	Guoxue
	△	09/11'20	Add the "RoHS Compliant&Amphenol Logo"	Guoxue
	△	09/11'20	Operating temperature is change from -40°C to +115°C to -40°C to +105°C	Guoxue

THIS IS CAD DRAWING, DO NOT REVISE MANUALLY!!!

Material

- (A) Terminal body(metal housing of double): Brass(CuZn),Ni plated
- (B) Terminal body(metal housing of single): Brass(CuZn),Ni plated
- (C) Terminal screw: Steel Zinc plating "-" slot type
- (D) Wire guard: Steeless steel
- (E) Insulator (lever): Thermoplastic (UL94V-0)
- (F) Insulator (housing): Thermoplastic (UL94V-0)

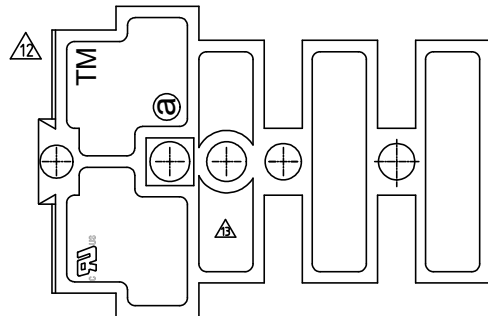
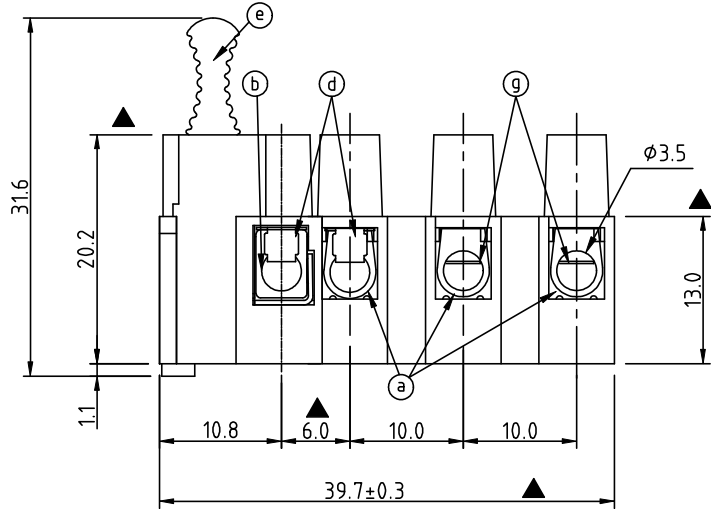
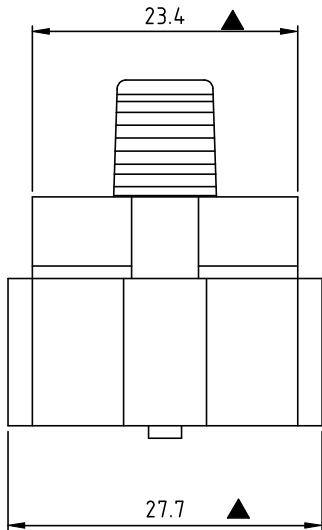
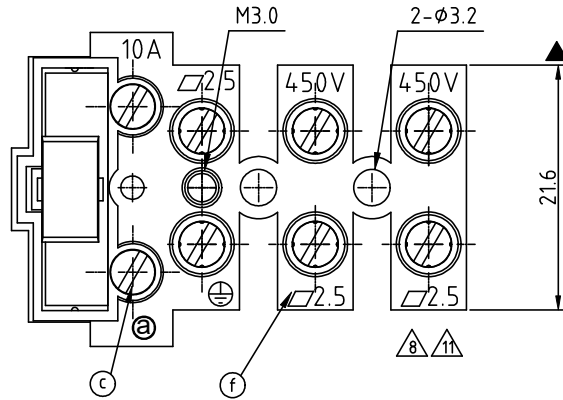
△ 5 Electrical cULus △ 10

- Voltage rating: 400VAC
- Current rating: 10A
- Wire range:
 - Solid wire(AWG): 14-22
 - Stranded wire(AWG): 14-22
- Torque(Lb-In): 3.5
- Screw: M3
- Wire strip length: 7-8mm

- △ 12 △ 13
- Withstanding Voltage: 1.8KV
- Operating temperature: -40°C to +105°C
- Safety Approval: cULus △ 10
- Critical dimension: ▲

		CUSTOMER COPY ALL RIGHTS RESERVED. REPRODUCTION OR ISSUE TO THIRD PARTIES IN ANY FORM WHATSOEVER IS NOT PERMITTED WITHOUT WRITTEN AUTHORITY FROM THE PROPRIETOR. PROPERTY OF ANYTEK TECHNOLOGY CO., LTD				
PART NO.	TM0319000000G	DWG NO.	8TM0001			
APPROVED	CHECKED	DESIGNED	DRAWN	CUST NO.	Tolerance	
		Guoxue 09/11'20	Guoxue 09/11'20	UNIT: mm SCALE: NONE SHEET: 01/01 REV.: H	X. ±0.50	
					X.X ±0.30	
					X.XX ±0.10	
					X° ±1°	

RoHS Compliant



Rev.	SIGN	DATE	DESCRIPTION	APPROVER
F	△	7/07'09	Electrical standard is changed from UL/cUL to cULus	Kind
F	△	7/07'09	Current rating changed from 8A to 10A	Kind
F	△	7/07'09	Operating tem. changed from -30°C~105°C to -40°C~115°C	Kind
F	△	7/07'09	Add VDE Certification	Kind
G	△	6/14'10	Current rating changed from 10A to 2.5	Chen Bo
H	△	2/03'12	Add the Elevation view	Chen Bo
I	△	11/16'20	Remove the "VDE"& VDE parameter.	Guoxue
	△	11/16'20	Add the "RoHS Compliant&Amphenol Logo"	Guoxue
	△	11/16'20	Operating temperature is change from -40°C to +115°C to -40°C to +105°C	Guoxue

THIS IS CAD DRAWING, DO NOT REVISE MANUALLY!!!

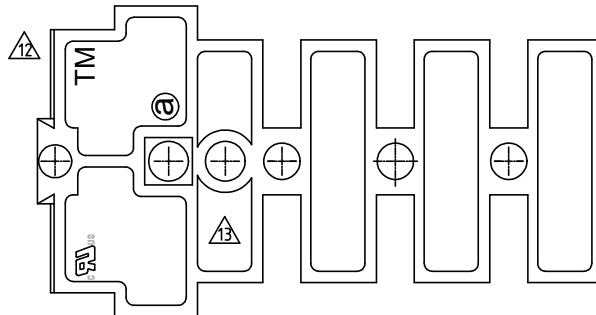
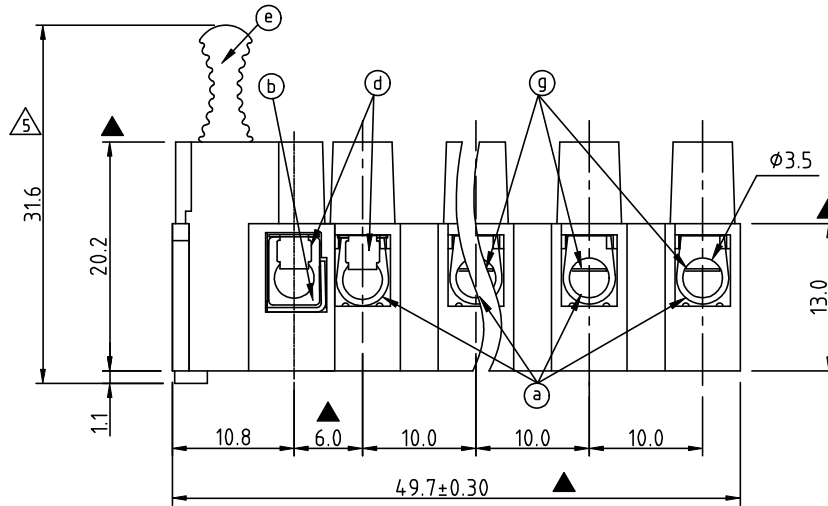
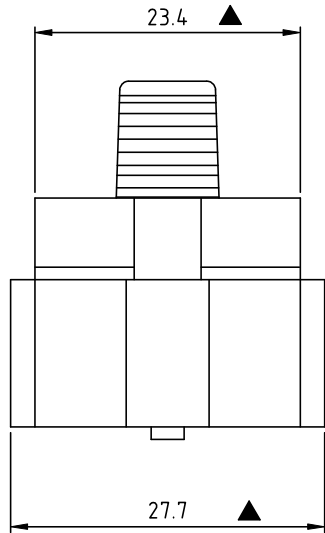
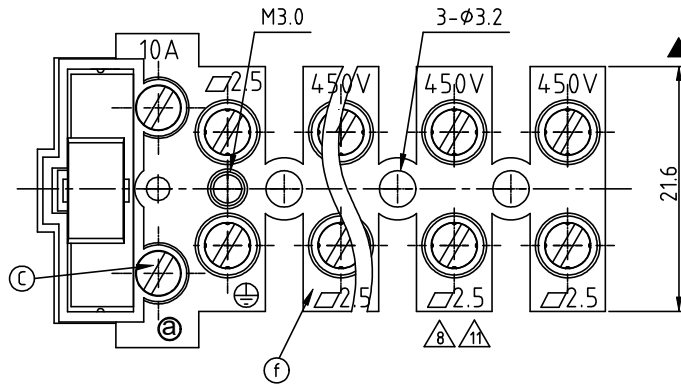
Material

- (a) Terminal body(metal housing of double): Brass(CuZn),Ni plated
- (b) Terminal body(metal housing of single): Brass(CuZn),Ni plated
- (c) Terminal screw: Steel Zinc plating "-" slot type
- (d) Wire guard(short): Steeless steel
- (e) Insulator (lever): Thermoplastic (UL94V-0)
- (f) Insulator (housing): Thermoplastic (UL94V-0)
- (g) Wire guard(long): Steeless steel

- △ Electrical cULus
- Voltage rating: 400VAC
- △ Current rating: 10A
- Wire range:
 - Solid wire(AWG): 14-22
 - Stranded wire(AWG): 14-22
- Torque(Lb-In): 3.5
- Screw: M3
- Wire strip length: 7-8mm
- Withstanding Voltage: 1.8KV
- △ Operating temperature: -40°C to +105°C
- Safety Approval: cULus
- Critical dimension: ▲

Amphenol ANYTEK				CUSTOMER COPY		
ALL RIGHTS RESERVED. REPRODUCTION OR ISSUE TO THIRD PARTIES IN ANY FORM WHATSOEVER IS NOT PERMITTED WITHOUT WRITTEN AUTHORITY FROM THE PROPRIETOR. PROPERTY OF ANYTEK TECHNOLOGY CO., LTD						
TITLE		TM - Series Fuse holder with 4 Poles				
PART NO.		TM0419010000G		DWG NO.		8TM0701
APPROVED		CHECKED	DESIGNED	DRAWN	CUST NO.	
			Guoxue 11/16'20	Guoxue 11/16'20		
						Tolerance
				UNIT: mm		X. ±0.50
				SCALE: NONE		X.X ±0.30
				SHEET: 01/01		X.XX ±0.10
				REV.: I		X° ±1°

RoHS Compliant



Rev.	SIGN	DATE	DESCRIPTION	APPROVER
F	△	7/07'09	Electrical standard is changed from UL/cUL to cULus	Kind
	△	7/07'09	Current rating changed from 8A to 10A	Kind
	△	7/07'09	Operating tem. changed from -30°C~105°C to -40°C~115°C	Kind
	△	7/07'09	Add VDE Certification	Kind
G	△	6/14'10	Current rating changed from 10A to 2.5	Chen Bo
H	△	2/03'12	Add the Elevation view	Chen Bo
	△	11/16'20	Remove the "VDE"& VDE parameter.	Guoxue
I	△	11/16'20	Add the "RoHS Compliant&Amphenol Logo"	Guoxue
	△	11/16'20	Operating temperature is change from -40°C to +115°C to -40°C to +105°C	Guoxue

THIS IS CAD DRAWING, DO NOT REVISE MANUALLY!!!

Material

- (a) Terminal body(metal housing of double): Brass(CuZn),Ni plated
- (b) Terminal body(metal housing of single): Brass(CuZn),Ni plated
- (c) Terminal screw: Steel Zinc plating "-" slot type
- (d) Wire guard(short): Steeless steel
- (e) Insulator (lever): Thermoplastic (UL94V-0)
- (f) Insulator (housing): Thermoplastic (UL94V-0)
- (g) Wire guard(Long): Steeless steel

- △ 10 △ 7 Electrical cULus △ 13
- Voltage rating: 400VAC
- △ 8 ● Current rating: 10A
- Wire range:
- Solid wire(AWG): 14-22
- Stranded wire(AWG): 14-22
- Torque(Lb-In): 3.5
- Screw: M3
- Wire strip length: 7-8mm
- Withstanding Voltage: 1.8KV
- △ 15 △ 9 ● Operating temperature: -40°C to +105°C
- Safety Approval: cULus △ 13
- Critical dimension: ▲

Amphenol ANYTEK		CUSTOMER COPY		
ALL RIGHTS RESERVED. REPRODUCTION OR ISSUE TO THIRD PARTIES IN ANY FORM WHATSOEVER IS NOT PERMITTED WITHOUT WRITTEN AUTHORITY FROM THE PROPRIETOR. PROPERTY OF ANYTEK TECHNOLOGY CO., LTD				
TITLE		TM - series 5 Poles with handle		
PART NO.		TM0519000000G	DWG NO.	8TM0301
APPROVED	CHECKED	DESIGNED	DRAWN	CUST NO.
		Guoxue 11/16'20	Guoxue 11/16'20	
				Tolerance
				X. ±0.50
				X.X ±0.30
				X.XX ±0.10
				X° ±1°
		SHEET: 01/01		REV.: I