

REV.	DESCRIPTION	DRAWN	CHECKED	APPROVED
A	NEW RELEASE	HP 07/13/05		

TECHNICAL DATA

1. MATERIAL
 - . Pin(Outer Sleeve): Brass,Machined,CuZn38Pb2
 - . Clip(Contact 4/6 Finger): Copper alloy,Heat Treated
2. ELECTRICAL
 - . Current Rating: 3A Per Pin max.
 - . Contact Resistance: $\leq 20m\Omega$ /Contact.

3. MECHANICAL
 - . *Average Insertion Force With Steel Pin of $\phi 0.43mm/0.017"$:
4-Finger $\leq 270g$,6-Finger $\leq 120g$
 - . *Average Withdrawal Force With Steel Pin of $\phi 0.50mm/0.020"$:
4-Finger $\geq 25g$,6-Finger $\geq 15g$
 - . *Mechanical Life: min 200 Cycles

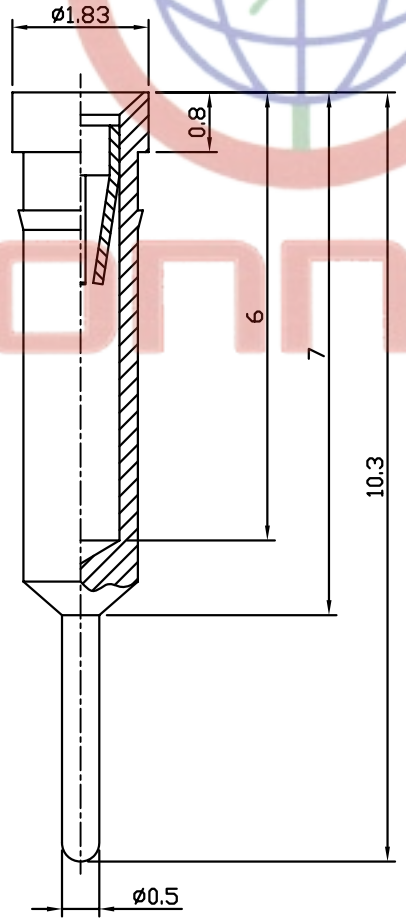
4. PRODUCT NUMBER CODE:

DS1005-14 - X X X

CLIP PLATED
 6: Full Tin
 8: Full Gold flash
 C: Full Gold 3u"
 A: Full Gold 10u"
 B: Full Gold 15u"

PIN PLATED
 6: Full Tin
 8: Full Gold flash
 C: Full Gold 3u"
 A: Full Gold 10u"
 B: Full Gold 15u"

CLIPS
 3: 3Finger
 4: 4Finger
 6: 6Finger
 SERIES NO
 DS1005-14



Tel:86-574-63503787
 Fax:86-574-63510817
 E-mail:sale@zhenqin.com.cn
 Http://www.connfly.com
 Add:11th Floor, Zone King Yan

GENERAL TOLERANCE	ANGLE TOLERANCE	PROJECTION	TITLE	SOCKET TERMINALS 10.3mm	
X. ± 0.20	X. $\pm 2^\circ$	UNITS	mm	SHEET SIZE	A4
.X ± 0.10	.X $\pm 1^\circ$	SHEET SIZE	A4	SERIES	DS1005-14
.XX ± 0.05	.XX $\pm 0.5^\circ$	DRAWING NO. C-DS1005-14-XXX			
DRAWING TYPE	CUSTOMER				
SCALE	1:1	SHEET	1 OF 1		

晨翔电子有限公司
CONNFLY CONNFLY ELECTRONIC CO. LTD