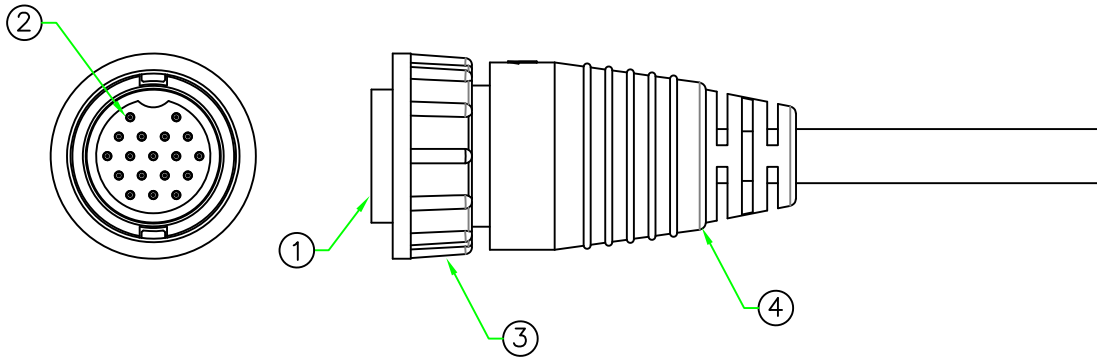
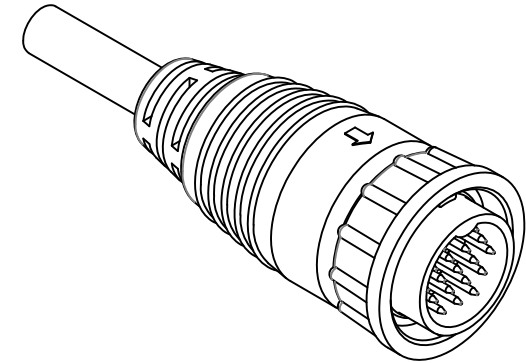
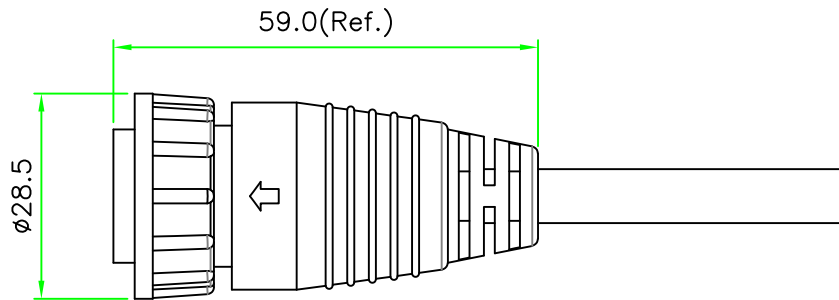


RoHS

IP66

| REV | DESCRIPTION | DATE |
|-----|-------------|-------------|
| A | ISSUE | Nov/15/2019 |
| | | |
| | | |

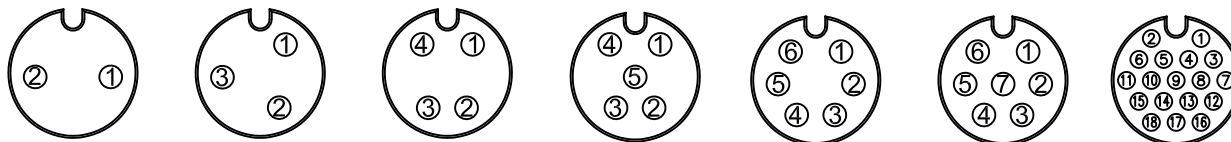


NOTES:

- ELECTRICAL CHARACTERISTICS:
 CURRENT RATING: 5A / 20A
 CONNECTOR TEMPERATURE RANGE: -20°C TO +80°C
 DIELECTRIC WITHSTANDING VOLTAGE:
 500V AC FOR ONE MINUTE
- HOW TO ORDER: CDx-L4xxSM

- 02 - 2 PIN 06 - 6 PIN
- 03 - 3 PIN 07 - 7 PIN
- 04 - 4 PIN 18 - 18 PIN
- 05 - 5 PIN
- G - CURRENT RATING 20A
- D - CURRENT RATING 5A

*Cable specification and length can be customized.



CDG-L402SM CDG-L402SM CDG-L402SM CDG-L402SM CDG-L402SM CDG-L402SM CDD-L418SM

PIN ASSIGNMENT FRONT VIEW (前視圖)

| 4 | OVERMOLD | PVC or PU. | BLACK | 1 | |
|-----|-----------|---|-------|------|---------|
| 3 | LOCK NUT | Nylon+GF. | BLACK | 1 | |
| 2 | CONTACT | Brass, 6 u" Gold Plated. Female Contact. | | N | |
| 1 | CONNECTOR | D Size Female Connector Insert. Nylon+GF. | BLACK | 1 | |
| No. | PART NAME | DESCRIPTION | COLOR | Q'TY | REMARKS |

HOLIN® HTP ASIA TECHNOLOGY CO., LTD.
 禾凌科技股份有限公司

| | | | |
|--|---------|--|------------|
| UNIT: mm | TITLE : | Circular D Size Lock Type Female Connector Female Pin Molded Cable | |
| SCALE | 1:1 | P/N: | CDx-L4xxSM |
| UNLESS OTHERWISE SPECIFIED TOLERANCES: .X ± 0.5 .XX ± 0.25 .XXX ± 0.1 ANGLE ± 1° | | DR. | SIBYL |
| REV. | SHEET | CH. | JAMES |
| A | 1/1 | DWG.NO: | CDx-L4xxSM |
| | | AP. | |