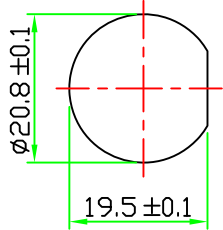
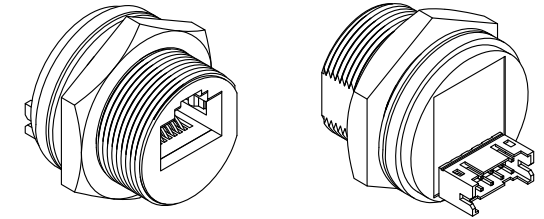
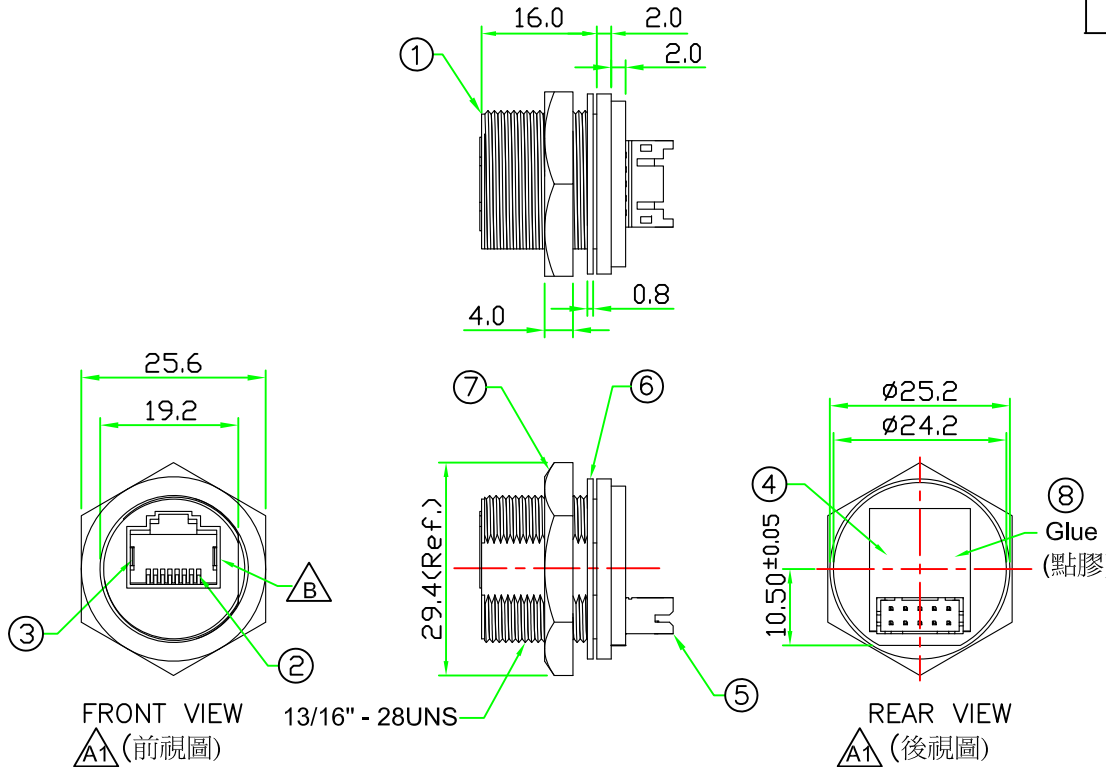
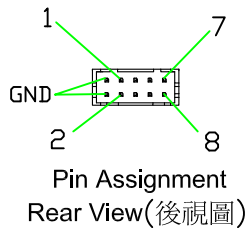
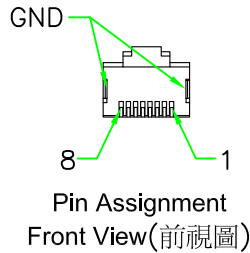


**RoHS**  
**IP66~68**

REV.	DESCRIPTION	DATE
A	ISSUE	May/07/2014
A1	Add Note	Dec/11/2014
B	Add Electrical Characteristics & Change design	Feb/02/2016



RECOMMENDED  
PANEL CUT OUT



NOTES:

1. Current Rating: 1A
2. Voltage Rating: 150 VAC Max.
3. Connector Temperature Range: -25°C to 85°C
4. Contact Resistance: ≤30mΩ
5. Insulation Resistance: ≥100MΩ
6. Dielectric Withstanding Voltage:  
1KVrms at 60Hz, 1 minute between adjacent contacts.  
1.5KVrms at 60Hz, 1 minute between shield and contacts.
7. Request Panel Thickness Max. 4.0

OLD P/N:RJ45C-PJSWSC  
(原型號)

No.	PART NAME	DESCRIPTION	COLOR	Q'TY	REMARKS
8	GLUE	EPOXY.	BLACK		
7	HEX NUT	NYLON+GF.	BLACK	1	
6	GASKET	EPDM.	BLACK	1	
5	WAFER	Pitch 2.0mm 5 PIN x 2 ROW, Straight wafer.	NATURE	1	
4	PCB	FR4. Double Side, 1.0mm Thickness.		1	
3	GROUND	Ground Contact. SUS304.		2	
2	CONTACT	RJ45 PIN Contact. Phos. Bronze 50u" Gold Plating.		8	
1	CONNECTOR	RJ45 JACK Connector INSERT. NYLON+GF.	BLACK	1	

<b>HOLIN® HTP ASIA TECHNOLOGY CO., LTD.</b> 禾凌科技股份有限公司					
	UNIT: mm	TITLE:	RJ45 Jack C Size Panel Connector Screw Type Round Flange 10P Straight Wafer		
SCALE	1:1	P/N:	RJ45C-P3C03		
UNLESS OTHERWISE SPECIFIED TOLERANCES:		DR.	Patty		
.x ± 0.5	.xx ± 0.25	CH.	ERIC		
.xxx ± 0.1	ANGLE ± 1°	AP.			
REV.	SHEET	DWG.NO:	RJ45C-P3C03		
B	1/1				