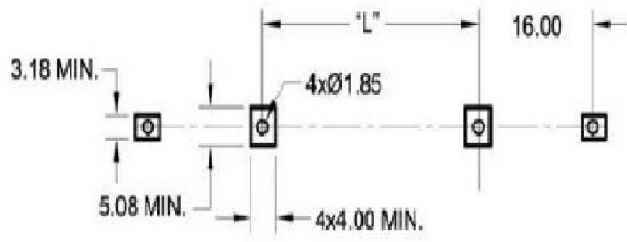
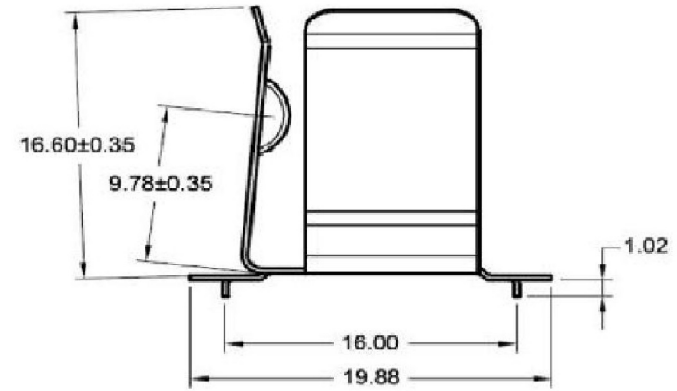
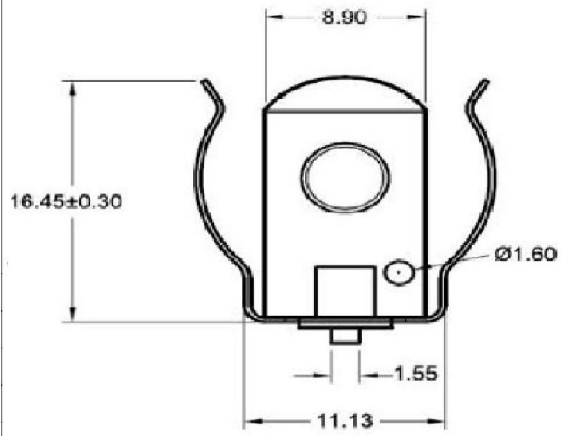
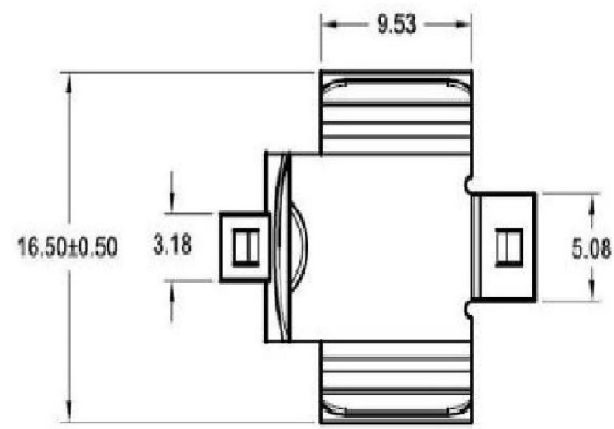


REV	DATE	DETAILS

MOUNTING LAYOUT



BATTERY SIZE	"L" DIMENSION
CR123A	8.85
18350	8.25
18650	40.25



比例 SCALE	单位 UNIT	版本 REV.	尺寸范围 SIZE RANGE	公差 TOLERANCES	零件编号 PART NO.	BC-1619
2X	MM	A	0.0-3.0mm	±0.10	材料 MATERIAL	0.30mm弹簧钢 SPRING STEEL
制图 DRAWING	审核 CHECKING	核准 APPROVAL	3.0-10.0mm	±0.20	表面处理 FINISH	镀镍 NICKEL PLATE
CARSON	PETTER	J.L	10.0-30.0mm	±0.30	日期 DATE	2018-12-20

**JIA YI ELECTRONIC CO., LTD**

APPROVED	CHECKED	DRAWN BY	UNIT	TOLARANCE	ITEM NUMBER	PART NAME	REV	
NICK	ERIC	JACK	mm	X.± 0.5 .X ± 0.3 .XX ± 0.2 .XX ± 0.1				
			SCALE					PAGE NO
			NOT					