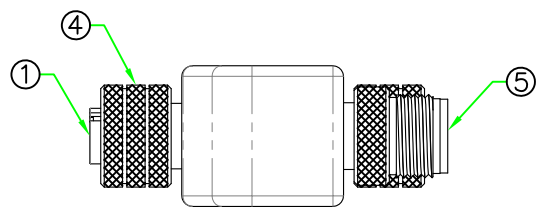
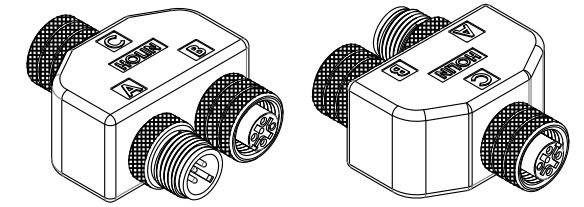
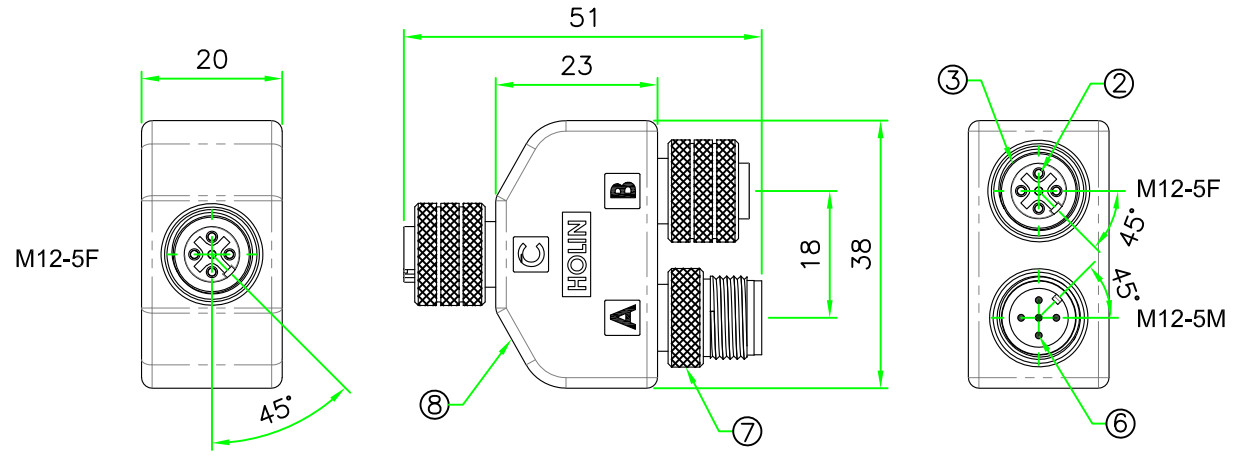


PROPRIETARY AND CONFIDENTIAL
 THE INFORMATION CONTAINED IN THIS DRAWING IS THE SOLE PROPERTY OF HTP ASIA TECHNOLOGY CO., LTD. .
 ANY REPRODUCTION IN PART OR AS A WHOLE WITHOUT THE WRITTEN PERMISSION OF HTP ASIA TECHNOLOGY CO., LTD. IS PROHIBITED.

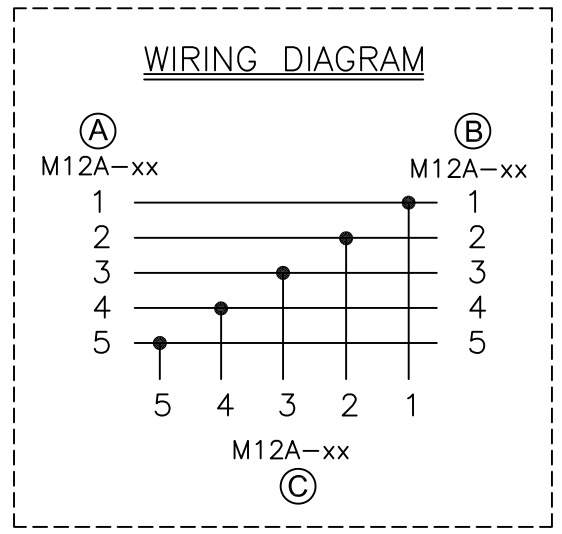
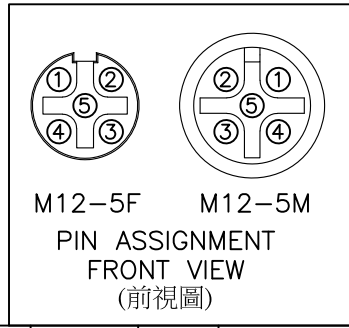
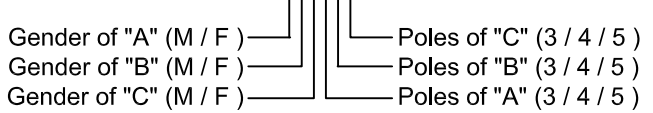
RoHS

REV.	DESCRIPTION	DATE
A	ISSUE	Aug/18/2020



- NOTES:
- ELECTRICAL CHARACTERISTICS:
 CURRENT RATING: 5A
 TEMPERATURE RANGE: -25°C TO +85°C
 DIELECTRIC WITHSTANDING VOLTAGE:
 500V AC FOR ONE MINUTE

2. HOW TO ORDER: 12YB-Mxxxxxx



No.	PART NAME	DESCRIPTION	COLOR	Q'TY	REMARKS
8	OVERMOLD	PU.	BLACK	1	
7	RING NUT	BRASS. Nickel Plated.		1	
6	CONTACT	BRASS. 6u" Gold Plated.		N	
5	CONNECTOR	M12 A-Coding Male Connector Insert.Nylon+GF.	BLACK	1	
4	RING NUT	BRASS. Nickel Plated.		1	
3	O-RING	VITON.	BLACK	1	
2	CONTACT	BRASS. 6u" Gold Plated. Female Pin.		N	
1	CONNECTOR	M12 A-Coding Female Connector Insert.Nylon+GF.	BLACK	1	

HOLIN® HTP ASIA TECHNOLOGY CO., LTD.
 禾凌科技股份有限公司

UNIT: mm
 SCALE: 1:1
 TITLE: M12 Female to M12 Female/Male Y Splitter

UNLESS OTHERWISE SPECIFIED TOLERANCES:
 x ±1.0 xx ±0.5
 xxx ±0.25 ANGLE ±1°

REV. A SHEET 1/1
 P/N: 12YB-Mxxxxxx
 DWG.NO: 12YB-Mxxxxxx

DR. JAMES
 CH. ERIC
 AP.