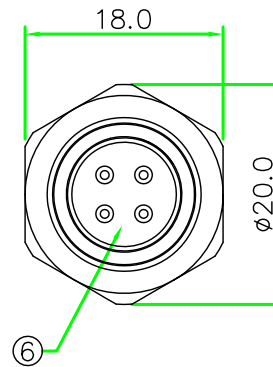
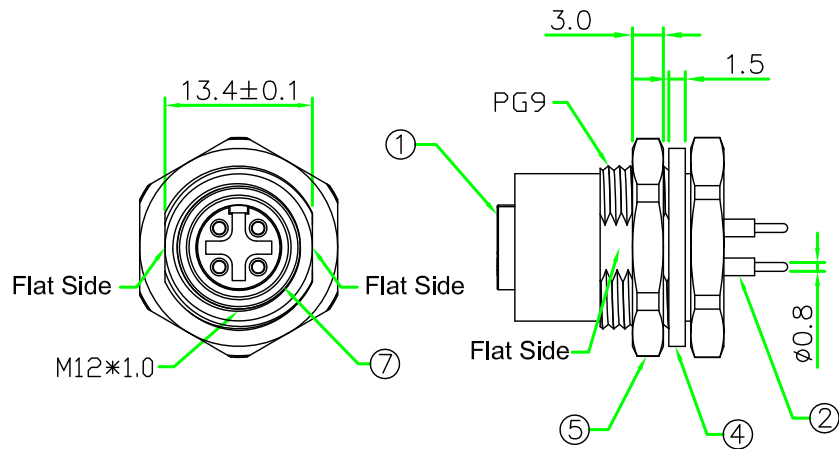
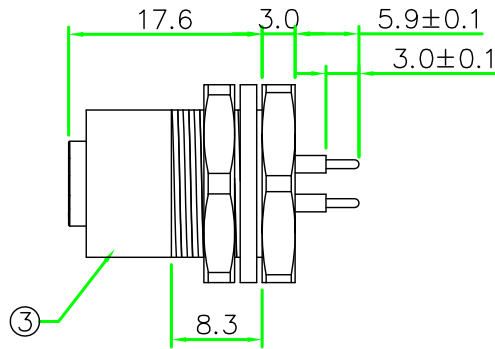


Recommended Panel Cut-Out

RoHS

IP66~68



REV.	DESCRIPTION	DATE
A	ISSUE	Dec/25/1999
A1	Increase A12D-M202HPR	Nov/16/2001
A2	Add Item	Apr/27/2015

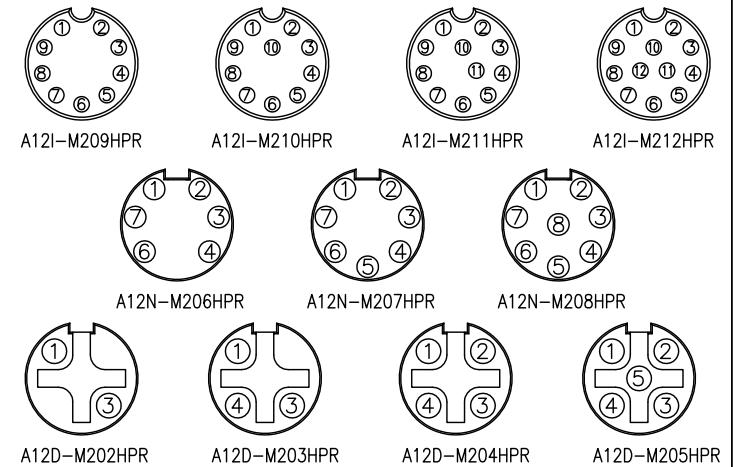
NOTES:

- ELECTRICAL CHARACTERISTICS:
CURRENT RATING: 1.5A / 2A / 4A
TEMPERATURE RANGE: -25°C TO +85°C
DIELECTRIC WITHSTANDING VOLTAGE:
500V AC FOR ONE MINUTE
- PANEL THICKNESS MAX. 3.0mm
- HOW TO ORDER: A12x-M2xxHPR

- 02 - 2 PIN
- 03 - 3 PIN
- 04 - 4 PIN
- 05 - 5 PIN
- 06 - 6 PIN
- 07 - 7 PIN
- 08 - 8 PIN
- 09 - 9 PIN
- 10 - 10PIN
- 11 - 11PIN
- 12 - 12PIN

- I - CURRENT RATING 1.5A
- N - CURRENT RATING 2A
- D - CURRENT RATING 4A

A1 A2



PIN ASSIGNMENT FRONT VIEW

(前視圖)

7	O-RING	VITON.	BLACK	1	
6	GLUE	EPOXY.	BLACK	1	
5	HEX NUT	BRASS, NICKEL PLATED.		1	
4	GASKET	RUBBER.	BLACK	1	
3	HOUSING	BRASS, NICKEL PLATED,		1	
2	CONTACT	Brass , 6 u" Gold Plated . Female Contact.		N	
1	CONNECTOR	M12 A-Coding Female Connector Insert.NYLON+GF.	BLACK	1	
No.	PART NAME	DESCRIPTION	COLOR	Q'TY	REMARKS

HOLIN® HTP ASIA TECHNOLOGY CO., LTD.
禾凌科技股份有限公司

UNIT: mm TITLE M12 A-Coding Female Panel Connector
Rear mount Hex Flange
With PCB Pin

SCALE 1.5:1
UNLESS OTHERWISE SPECIFIED TOLERANCES:
.X ± 0.25 .XX ± 0.1
.XXX ± 0.05 ANGLE ± 1'
REV. SHEET

P/N: A12x-M2xxHPR

DWG.NO: A12x-M2xxHPR

DR. Patty

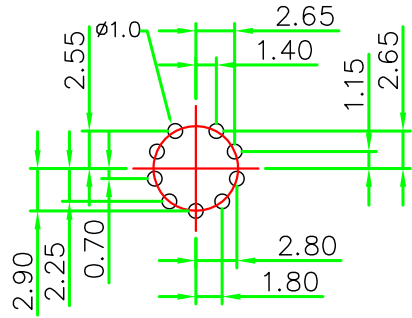
CH. ERIC

AP.

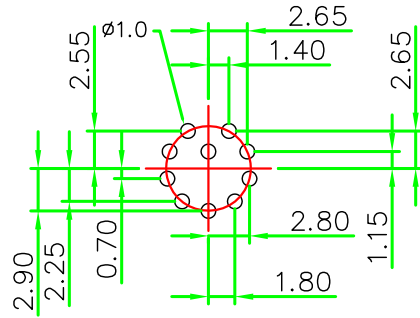
A2

1/2

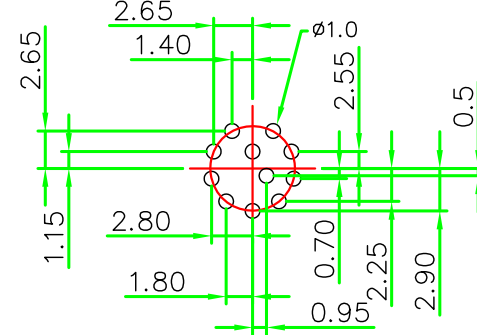
REV.	DESCRIPTION	DATE
A	ISSUE	Dec/25/1999
A1	Increase A12D-M202HPR	Nov/16/2001
A2	Add Item	Apr/27/2015



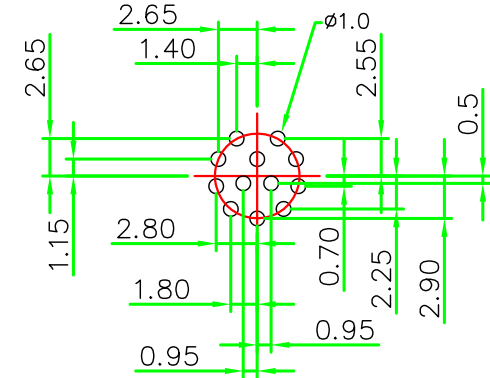
A12I-M209HPR



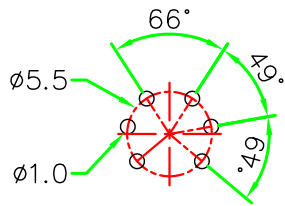
A12I-M210HPR



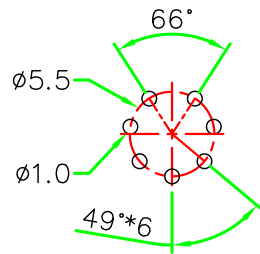
A12I-M211HPR



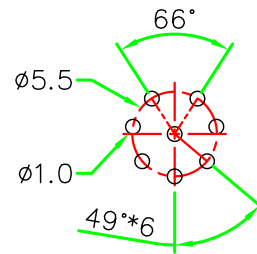
A12I-M212HPR



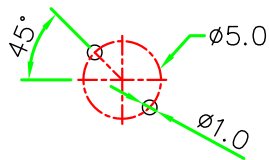
A12N-M206HPR



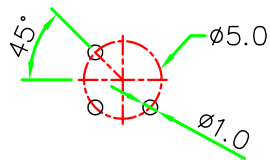
A12N-M207HPR



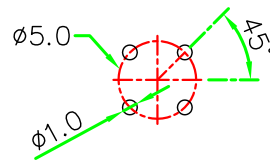
A12N-M208HPR



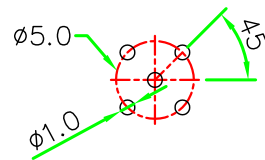
A12D-M202HPR



A12D-M203HPR



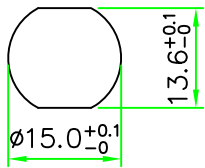
A12D-M204HPR



A12D-M205HPR

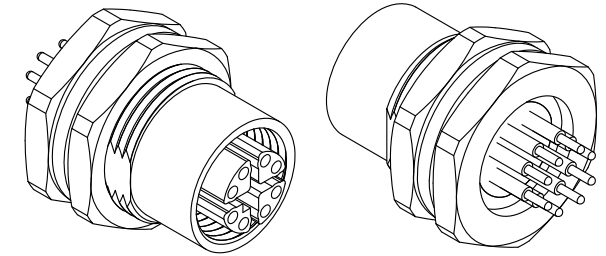
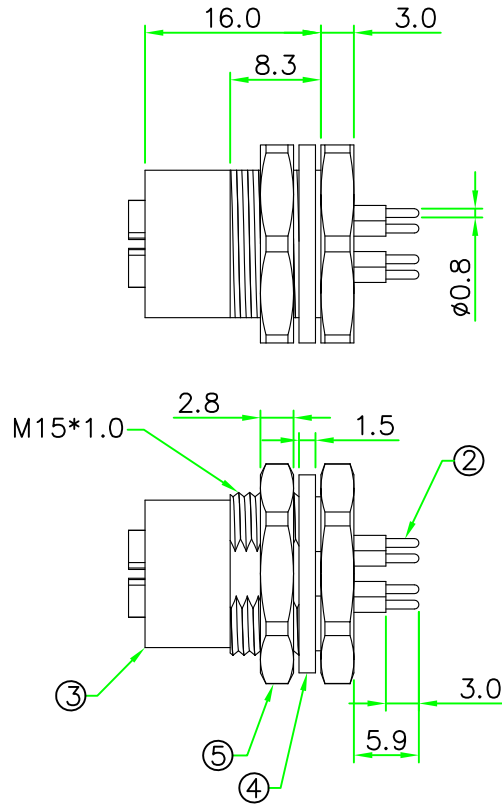
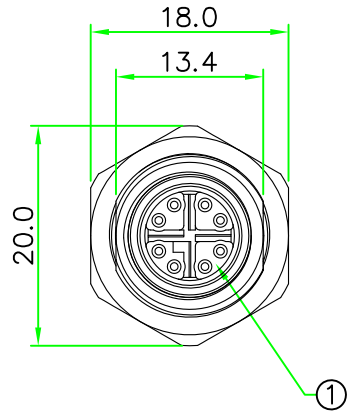
PCB LAYOUT

HOLIN[®] HTP ASIA TECHNOLOGY CO., LTD. 禾凌科技股份有限公司			
		UNIT: mm	TITLE : M12 A-Coding Female Panel Connector Rear mount Hex Flange With PCB Pin
SCALE	2:1	P/N:	A12x-M2xxHPR
UNLESS OTHERWISE SPECIFIED TOLERANCES: .x ± 0.25 .xx ± 0.1 .xxx± 0.05 ANGLE ± 1°	REV.	SHEET	DR. Patty CH. ERIC AP.
A2	2/2	DWG.NO:	A12x-M2xxHPR



Recommended
Panel Cut-Out

RoHS



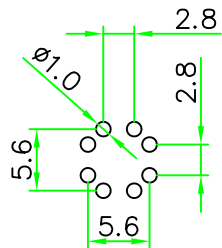
NOTES:

- ELECTRICAL CHARACTERISTICS:
CURRENT RATING: 0.5A
TEMPERATURE RANGE: -25°C TO +85°C
DIELECTRIC WITHSTANDING VOLTAGE:
500V AC FOR ONE MINUTE



PIN ASSIGNMENT
FRONT VIEW

(前視圖)



PCB LAYOUT

5	HEX NUT	Brass, Nickel Plated.		1	
4	GASKET	Rubber.	BLACK	1	
3	HOUSING	Brass, Nickel Plated.		1	
2	CONTACT	Brass , 6 u" Gold Plated . Female Contact.		8	
1	CONNECTOR	M12 X-Coding Female Connector Insert.NYLON+GF.	BLACK	1	
No.	PART NAME	DESCRIPTION	COLOR	Q'TY	REMARKS

REV.		DESCRIPTION		DATE	
A		ISSUE		JuL/11/2014	

HOLIN [®] HTP ASIA TECHNOLOGY CO., LTD. 禾凌科技股份有限公司					
	UNIT: mm	TITLE M12 X-Coding Female Panel Connector Rear mount Hex Flange With PCB Pin			
SCALE	1.5:1	P/N: X12I-M208HPR		DR.	Patty
UNLESS OTHERWISE SPECIFIED TOLERANCES: .X ± 0.25 .XX ± 0.1 .XXX ± 0.05 ANGLE ± 1°		DWG.NO: X12I-M208HPR		CH.	ERIC
REV.	A	SHEET	1/1	AP.	