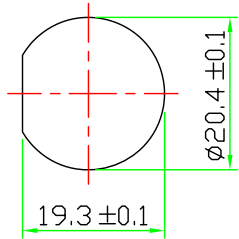


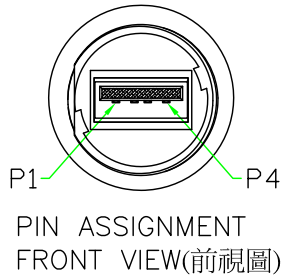
PROPRIETARY AND CONFIDENTIAL
 THE INFORMATION CONTAINED IN THIS DRAWING IS THE SOLE PROPERTY OF HTP ASIA TECHNOLOGY CO., LTD. .
 ANY REPRODUCTION IN PART OR AS A WHOLE WITHOUT THE WRITTEN PERMISSION OF HTP ASIA TECHNOLOGY CO., LTD. IS PROHIBITED.

RoHS

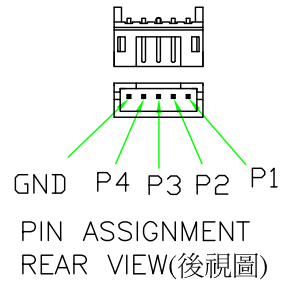
IP66~68



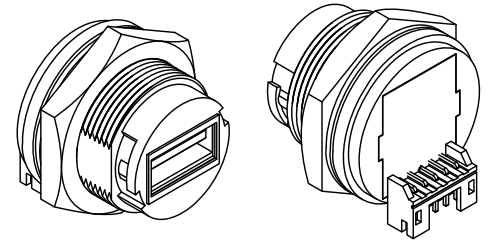
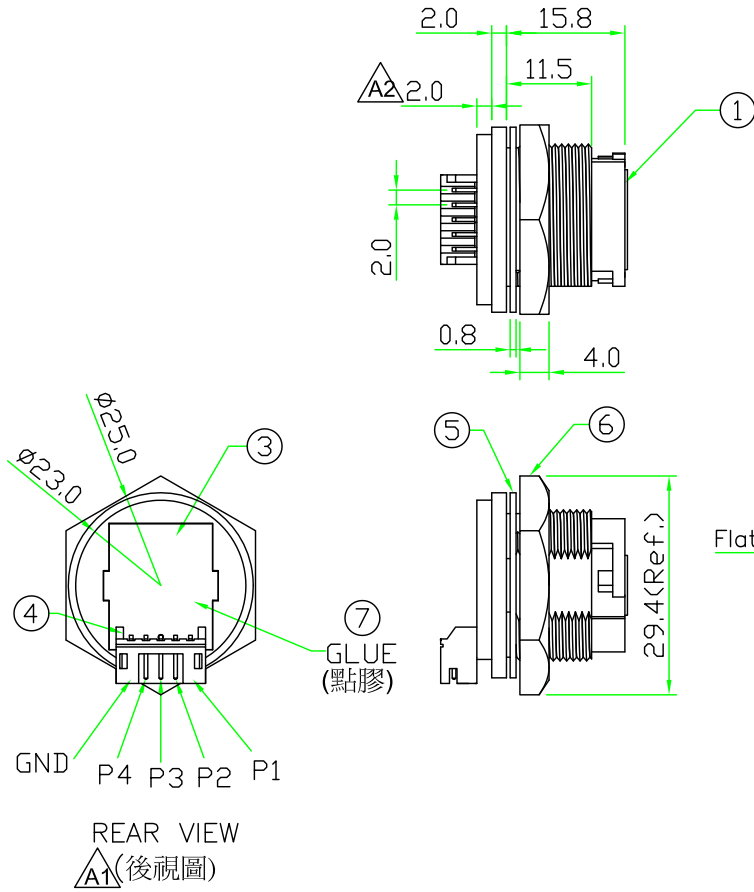
RECOMMENDED
 PANEL CUT OUT



PIN ASSIGNMENT
 FRONT VIEW(前視圖)



PIN ASSIGNMENT
 REAR VIEW(後視圖)



NOTES:

1. Current Rating: 1A
2. Connector Temperature Range: -25°C to 85°C
3. Contact Resistance: ≤30mΩ
4. Insulation Resistance: ≥100MΩ
5. Breakdown Voltage: ≥AC 500V/1 Minute
6. Panel Thickness Max. 6.0 mm

No.	PART NAME	DESCRIPTION	COLOR	Q'TY	REMARKS
7	GLUE	EPOXY.	BLACK		
6	HEX NUT	NYLON+GF.	BLACK	1	
5	GASKET	EPDM.	BLACK	1	
4	WAFER	PITCH 2.0mm, Right Angle. 5P*1ROW.	WHITE	1	
3	PCB	FR4 . Double Side, 1.0mm Thickness.		1	
2	CONNECTOR	USB A Type Female Connector.		1	
1	BODY	USB A Type Female Connector Body. NYLON+GF.	BLACK	1	

REV.	DESCRIPTION	DATE
A	ISSUE	Jan/10/2013
A1	Add Note	Oct/01/2014
A2	Change length	Jan/27/2015

HOLIN® HTP ASIA TECHNOLOGY CO., LTD.
 禾凌科技股份有限公司

UNIT: mm
 SCALE 1:1
 TITLE : USB 2.0 A Type Female C Size Lock Type Circular Flange Panel 5 Pin Right Angle Wafer

UNLESS OTHERWISE SPECIFIED TOLERANCES:
 .X ±0.25 .XX ± 0.1
 .XXX± 0.05 ANGLE ± 1'

REV. A2 SHEET 1/1 DWG.NO: USB2AC-L3C04

P/N: USB2AC-L3C04
 DR. Patty
 CH. ERIC
 AP.