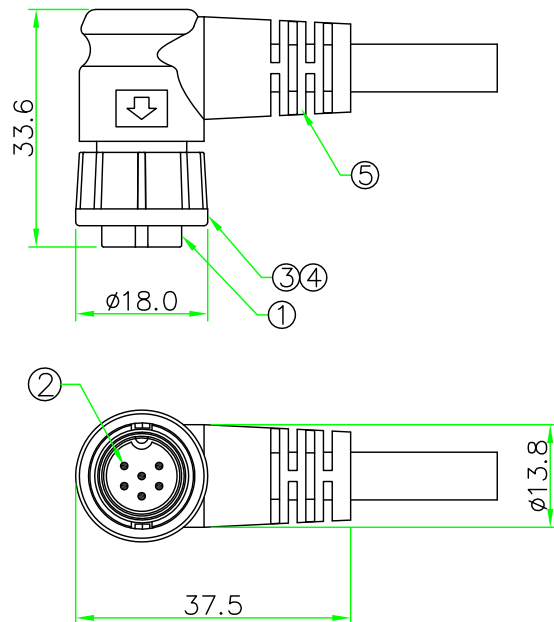


RoHS

IP66-68



REV.	DESCRIPTION	DATE
A	ISSUE	May/20/2015

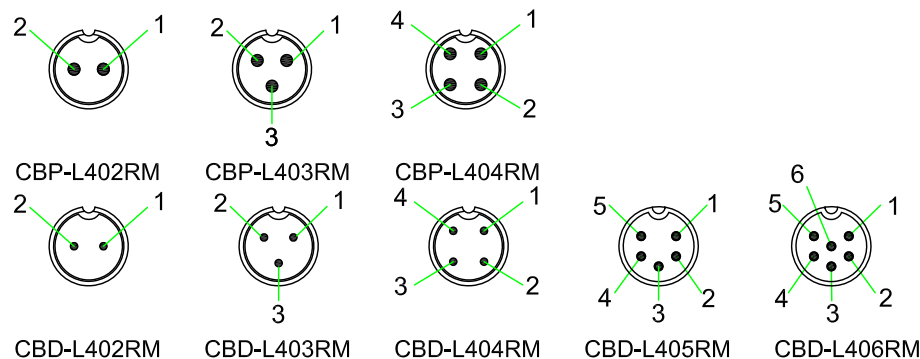
Ref.

NOTES:

- ELECTRICAL CHARACTERISTICS:
 CURRENT RATING: 5A / 10A
 CONNECTOR TEMPERATURE RANGE: -20°C TO +80°C
 DIELECTRIC WITHSTANDING VOLTAGE:
 500V AC FOR ONE MINUTE
- HOW TO ORDER: CBx-L4xxRM

- 02 - 2 PIN
- 03 - 3 PIN
- 04 - 4 PIN
- 05 - 5 PIN
- 06 - 6 PIN

- P - CURRENT RATING 10A
- D - CURRENT RATING 5A



PIN ASSIGNMENT FRONT VIEW
(前視圖)

5	OVERMOLD	PVC or PU.	BLACK	1	
4	LOCK NUT	NYLON+GF.	BLACK	1	
3	O-RING	VITON	BLACK	1	
2	CONTACT	Brass ,Male Pin. 6u" Gold Plated.		N	
1	CONNECTOR	B Size Female Connector Insert, NYLON+GF.	BLACK	1	
No.	PART NAME	DESCRIPTION	COLOR	Q'TY	REMARKS

UNIT: mm		TITLE : Circular B Size Lock Type Female Connector Male Pin Right Angle Molded Cable	
SCALE	1:1	P/N:	CBx-L4xxRM
UNLESS OTHERWISE SPECIFIED TOLERANCES: .x ±0.25 .xx ±0.1 .xxx±0.05 ANGLE ±1°			
REV.	A	DWG.NO:	CBx-L4xxRM
SHEET	1/1		
		AP.	