

SIGN	DATE	DESCRIPTION	APPROVER
△			

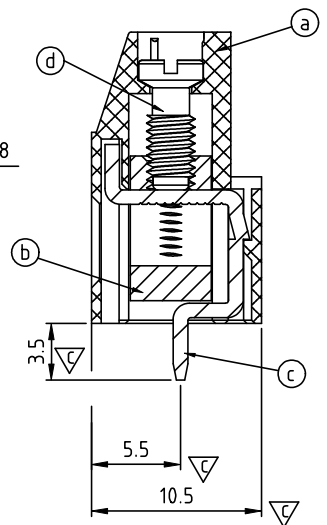
THIS IS CAD DRAWING, DO NOT REVISE MANUALLY!!!

Material:

- Item ① Terminal housing: Thermoplastic (UL 94V-0)
- Item ② Clamp: Brass Ni plated
- Item ③ Wire guard solder pin: Brass Tin plated
- Item ④ Terminal screw: Steel Zinc plating "+/-" slot type

Electrical

- Voltage rating : 300VAC
- Current rating : 20A
- Wire range :
- Solid wire(AWG) : 12-30
- Stranded wire(AWG) : 12-30
- Torque : 3.5 Lb-In
- Screw: M3
- Wire strip length: 6-7mm
- Withstanding Voltage: 1.6KV
- Operating temperature: -40°C to +115°C
- Soldering temperature: 260°C±5°C/5 Sec
- Safety Approval:
- Critical dimension: ▽



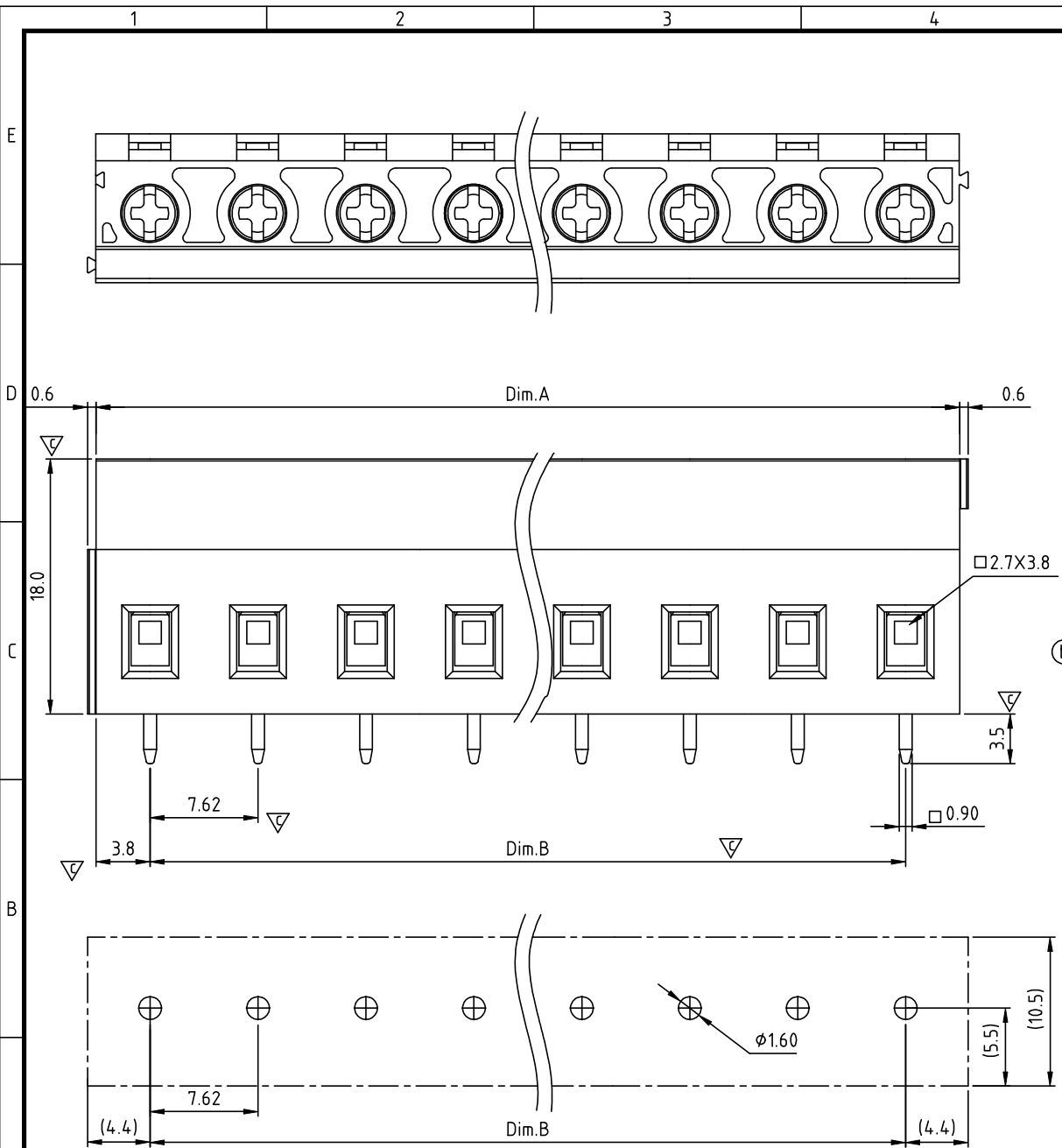
VJ xx 60 x 5 Txxx G

No. of poles end stackable design	0 Black (RAL9005)	G RoHS compliant (lead<4%) In copper Alloy
02 2 POLES	2 Red (RAL3001/D)	
03 3 POLES	3 Orange(RAL2011/P)	T000:"@"Logo (Standard)
...	4 Yellow(RAL1018/A)	T00A:"ANYTEK"Logo
16 16 POLES	5 Green(RAL6018/T)	Any special item by customer request, please contact sales department.
	6 Blue (RAL5015/A)	
	8 Grey(RAL7035/D)	
	C Green(RAL6018/U)	

DIMENSION

Dim L	Dim P	Poles	Tolerance
N×7.62	(N-1)×7.62	2p-6p	±0.20
		7p-12p	±0.30
		13p-16p	±0.40

N=Number of poles



RECOMMENDED PCB LAYOUT
TOP VIEW

ANYTEK				CUSTOMER COPY	
ALL RIGHTS RESERVED. REPRODUCTION OR ISSUE TO THIRD PARTIES IN ANY FORM WHATEVER IS NOT PERMITTED WITHOUT WRITTEN AUTHORITY FROM THE PROPRIETOR. PROPERTY OF ANYTEK TECHNOLOGY CO., LTD					
TITLE		VJ-7.62mm Series 180° wire inlet Low profile type(without cover)			
PART NO.		DWG NO.		8VJ0340	
APPROVED	CHECKED	DESIGNED	DRAWN	CUST NO.	
		Guoxue 2016.04.14	Guoxue 2016.04.14	Tolerance	
				UNIT: mm	X. ±0.50
				SCALE: NONE	X.X ±0.30
				SHEET: 01/01	X.XX ±0.10
				REV.: B	X° ±1°