

SIGN	DATE	DESCRIPTION	APPROVER
△	09/21'10	Current rating is changed	Runner
△	05/11'11	The dimensions is changed from 26.3 & 14.5 to 26.5 & 14.7	Chen Bo
△	08/22'12	Update the drawing	Da cheng
△	10/16'13	Add is cULus // // // update the drawing	Da cheng

THIS IS CAD DRAWING, DO NOT REVISE MANUALLY!!!

Material:

- Item ① Terminal housing (With hook) :Thermoplastic (UL94V-0)
- Item ② Terminal housing (With Pillar) :Thermoplastic (UL94V-0)
- Item ③ Spring Clamp: Stainless steel
- Item ④ Female contact: PhBz.Tin plated
- Item ⑤ Terminal(Left flange): Thermoplastic (UL94V-0)
- Item ⑥ Terminal(Right flange): Thermoplastic (UL94V-0)
- Item ⑦ Pad borad: Thermoplastic (UL94V-0)

Electrical:

- cULus
- Voltage rating: 300 V
- Current rating: 15 A
- Wire range:
- Solid wire(AWG): 12-28
- Stranded wire(AWG): 12-28
- Wire strip length: 8-9 mm
- Withstanding Voltage: 1.6KV
- Operating temperature: -40°C to +115°C

- Safety Approval:
- Critical dimension:

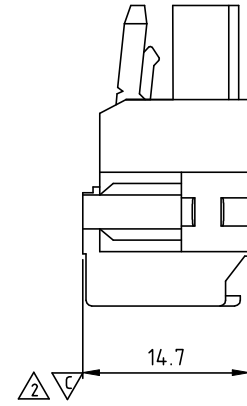
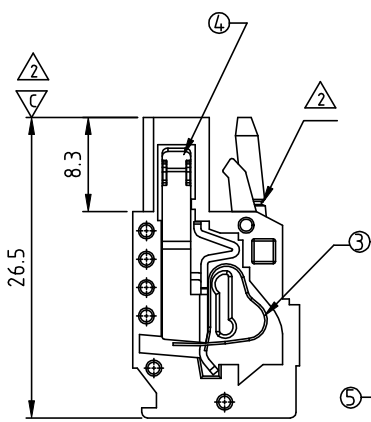
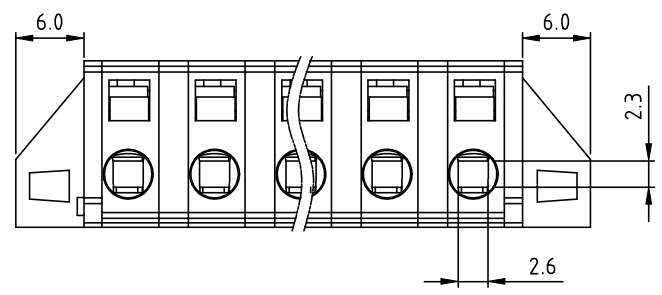
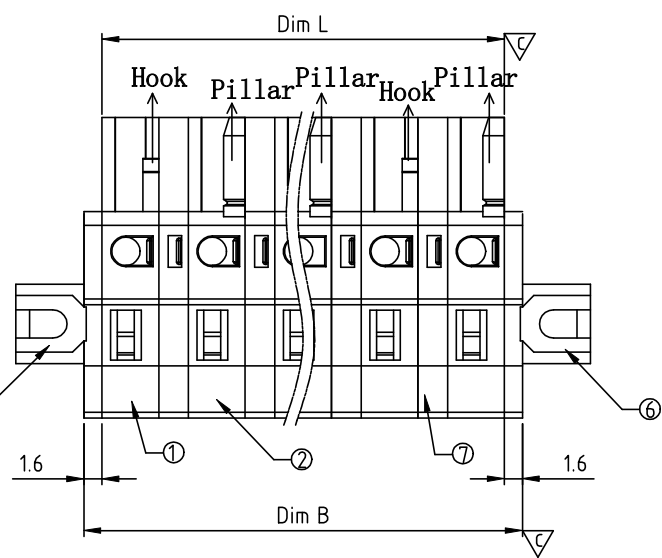
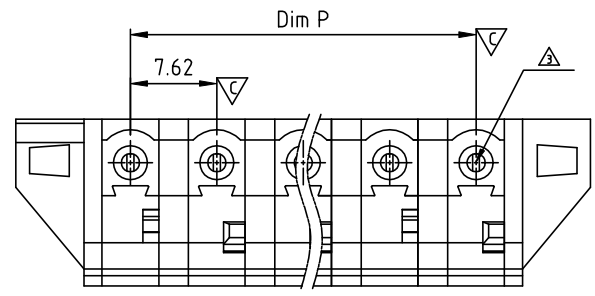
HI xx 30 x 2 xxxx G

RoHS compliant (lead<4%)
In copper Alloy

POLES
02: 2pole
" " "
16: 16pole

- Body Color
- 0 Black (RAL9005)
 - 2 Red (RAL3001/D)
 - 3 Orange(RAL2011/P)
 - 4 Yellow(RAL1018/A)
 - 5 Green(RAL6018/T)
 - 6 Blue (RAL5015/A)
 - 8 Grey(RAL7035/D)
 - 9 White(RAL1102)
 - C Green(RAL6018/U)

0000: "@ " Logo (Standard) (Steel screw plating Cr)
000A: "ANYTEK" Mark
Any special item by customer request.
please contact sales department.



Layout of Hook and Pillar :

2P	Hook+Pillar
3P	Hook+Hook+Pillar
4P	Hook+Pillar+Hook+Pillar
5P	Hook+Pillar+Pillar+Hook+Pillar
5P over	Hook+Pillar+...+Pillar+Hook+Pillar

DIM	TOL			
	2P-4P	5P-8P	9P-12P	13P-16P
Dim L	N×7.62-2.62	±0.15	±0.25	±0.30 ±0.40
Dim P	(N-1)×7.62	±0.15	±0.25	±0.30 ±0.40
Dim B	N×7.62+0.58	±0.15	±0.25	±0.30 ±0.40

Amphenol
ANYTEK

CUSTOMER COPY

ALL RIGHTS RESERVED. REPRODUCTION OR ISSUE TO THIRD PARTIES IN ANY FORM WHATSOEVER IS NOT PERMITTED WITHOUT WRITTEN AUTHORITY FROM THE PROPRIETOR. PROPERTY OF ANYTEK TECHNOLOGY CO., LTD

TITLE	HI 7.62mm With Flange Series				DWG NO.	8HI0204	
PART NO.	HIxx30x2xxxxG			DRAWN	Dacheng 2013.10.16		
APPROVED	CHECKED	DESIGNED	DRAWN	CUST NO.	Tolerance		
		Dacheng 2013.10.16	Dacheng 2013.10.16		X. ±0.50		
					UNIT: mm		
					SCALE: NONE		
					X.X ±0.30		
					X.XX ±0.10		
				SHEET: 01/01	X° ±1°		
					REV.: F		