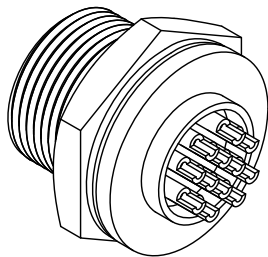
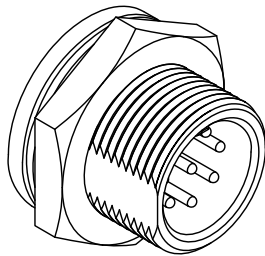
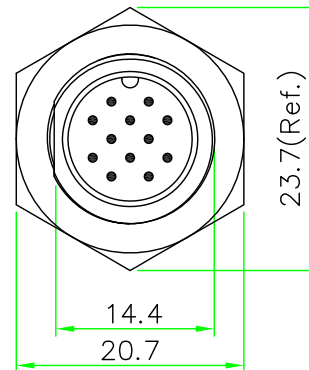
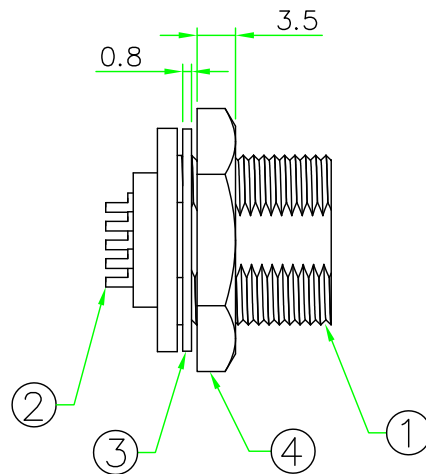
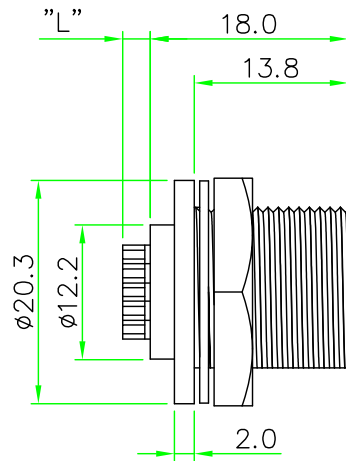


RECOMMENDED  
PANEL CUT OUT

**RoHS**  
**IP66~68**



P/N	L
CBP	6.6
CBD	1.6
CBN	2.5



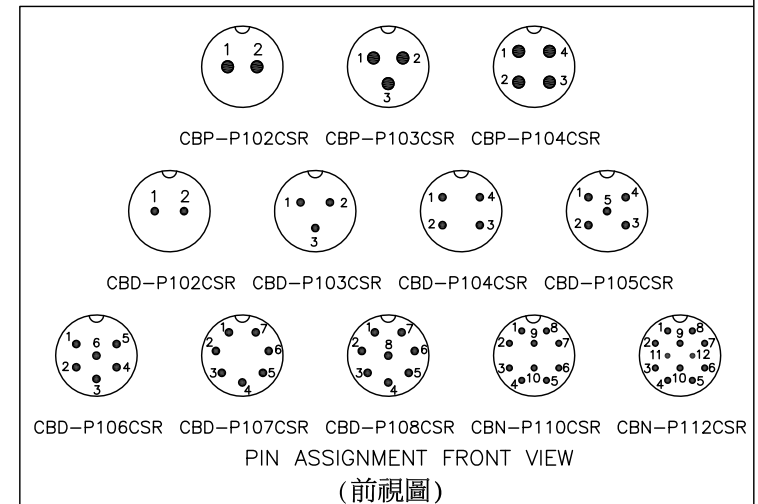
REV.	DESCRIPTION	DATE
A	ISSUE	Oct/02/2014
A1	Modify Contact length	Jun/25/2015

NOTES:

- ELECTRICAL CHARACTERISTICS:  
CURRENT RATING: 2A / 5A / 10A  
CONNECTOR TEMPERATURE RANGE: -25°C TO +85°C  
DIELECTRIC WITHSTANDING VOLTAGE:  
500V AC FOR ONE MINUTE
- PANEL THICKNESS MAX. 4.5mm
- HOW TO ORDER: CBx-P1xxCSR

- 02 - 2 PIN 07 - 7 PIN
- 03 - 3 PIN 08 - 8 PIN
- 04 - 4 PIN 10 - 10 PIN
- 05 - 5 PIN 12 - 12 PIN
- 06 - 6 PIN

- P - CURRENT RATING 10A
- D - CURRENT RATING 5A
- N - CURRENT RATING 2A



**HOLIN**® HTP ASIA TECHNOLOGY CO., LTD.  
禾凌科技股份有限公司

UNIT: mm	TITLE : Circular B Size Male Connector Male Pin Rear Mount Screw Type Round Flange Solder Bucket Pin
SCALE : 1.5:1	
UNLESS OTHERWISE SPECIFIED TOLERANCES: .X ± 0.25 .XX ± 0.1 .XXX ± 0.05 ANGLE ± 1°	P/N: CBx-P1xxCSR
REV. SHEET	DR. Patty CH. ERIC
A1 1/1	DWG.NO: CBx-P1xxCSR AP.

No.	PART NAME	DESCRIPTION	COLOR	Q'TY	REMARKS
4	HEX NUT	Nylon + GF.	BLACK	1	
3	GASKET	EPDM.	BLACK	1	
2	CONTACT	Brass, 6 u" Gold Plated . Male Contact.		N	
1	CONNECTOR	B Size Male Connector Insert.NYLON+GF.	BLACK	1	