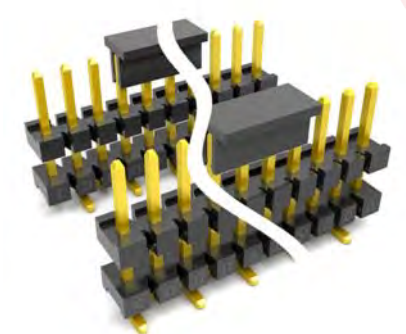
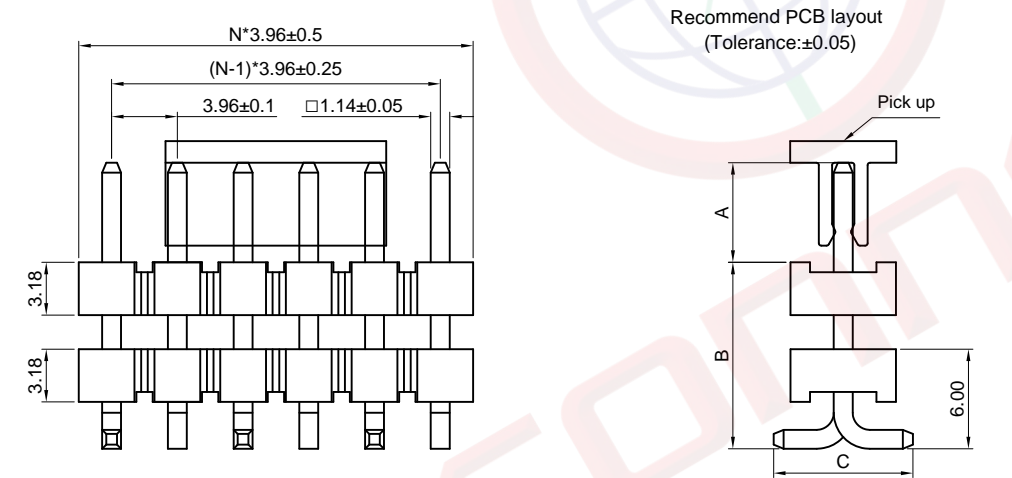
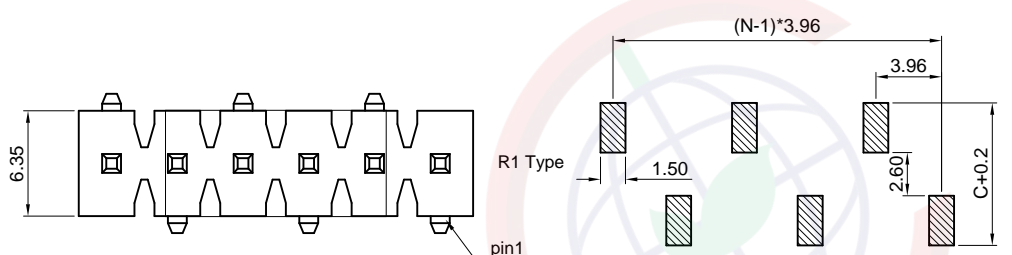
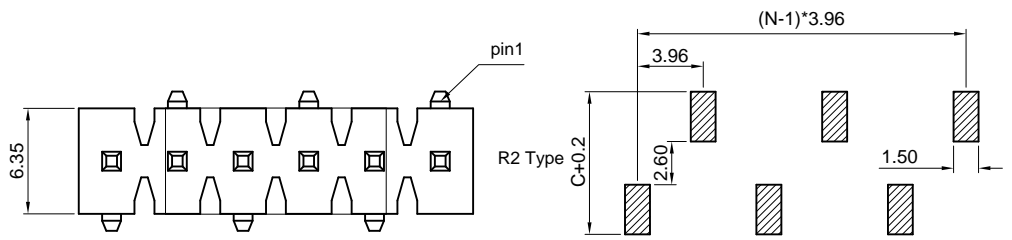


Dept	
Qty	
DC	1
ED	1
IE	1
ISO	1
PD	1
R&D	1
SD	1
QA	1
QC	1
QE	1

The information provided herein is from CONNELY Electronic Co., Ltd. and is confidential. Any disclosure to a party other than the recipient is prohibited. The intellectual properties and its rights contained herein, including but not limited to, trademarks, patents, copyrights, trade secrets, and technical know-how, are owned exclusively by CONNELY or its affiliates. Unauthorized use or reproduction of any part of this document is strictly prohibited. CONNELY may enforce its intellectual property rights at its own discretion, failures or delays in exercise of such rights, does not constitute a waiver of such rights.



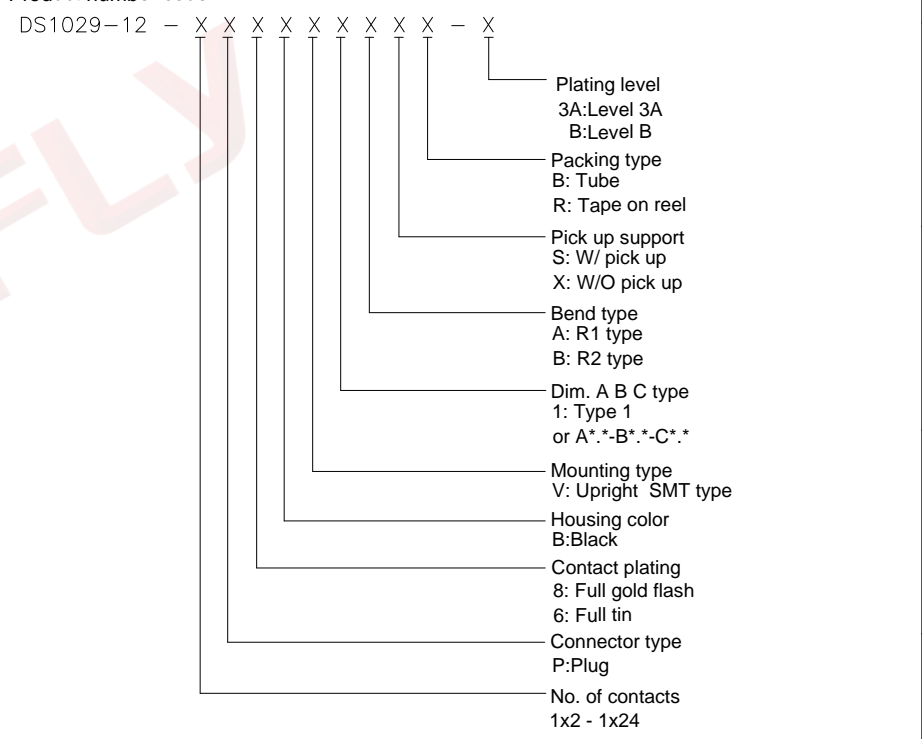
(Series Image-Reference Only)

Table A:

Type	Dimension		
	A	B	C
1	3.81	9.50	8.39
2	12.70	9.50	8.39

REV.	DESCRIPTION	DRAWN	CHECKED	APPROVED
A	NEW RELEASE	YCH 03/15/08'		LJC 03/15/08'
B	ADD PLATING LEVEL	JLZ 10/25/14'		LJC 10/25/14'
C	DRAWING UPDATE	JLZ 12/22/18'		

NOTES:
 Specifications:
 1. Contact resistance: 20mΩ Max.
 2. Insulation resistance: 1000MΩ Min.
 3. Dielectric withstanding voltage: 1000V AC(Rms) for 1 minute.
 4. Current rating:7A.
 5. Voltage rating:250V AC Rms.
 6. Temperature: -40°C~+105°C.
 Materials:
 1. Contact material: Copper alloy.
 2. Contact plating: Gold plating over nickel.
 3. Insulator material: High temp,Black,UL94-V0.
 Product number code:



GENERAL TOLERANCE	ANGLE TOLERANCE	PROJECTION	TITLE	3.96mm Pin Header
X. ±0.60	X. ±5°			Single Row Stack SMT Type
.X ±0.38	.X ±3°	UNITS	mm	
.XX ±0.25	.XX ±2°	SHEET SIZE	A4	SERIES DS1029-12 SERIES
DRAWING TYPE	CUSTOMER	晨翔电子有限公司 CONNELY CONNELY ELECTRONIC CO. LTD		
SCALE	1:1			
DRAWING NO.	C-DS1029-12-XXXXXXXX-X-B			