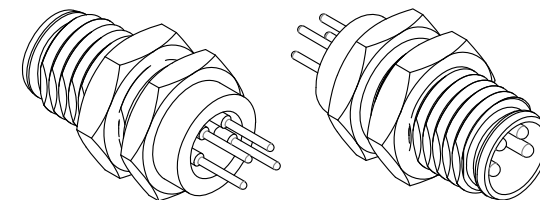
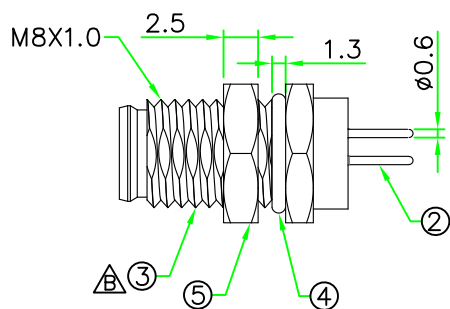
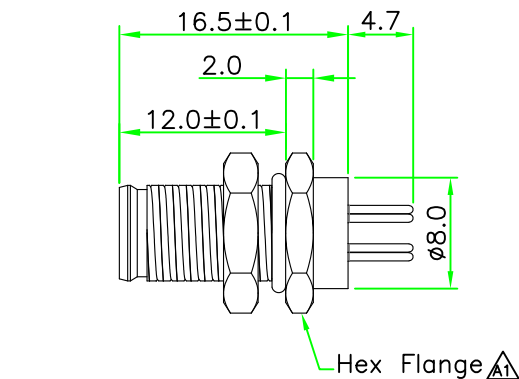
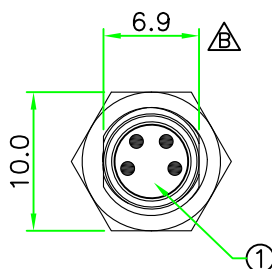


RECOMMENDED  
PANEL CUT OUT

RoHS

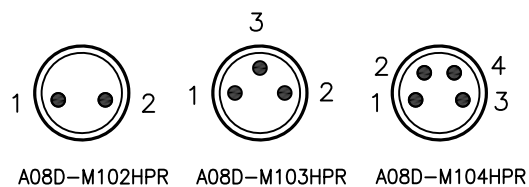
IP67



NOTES:

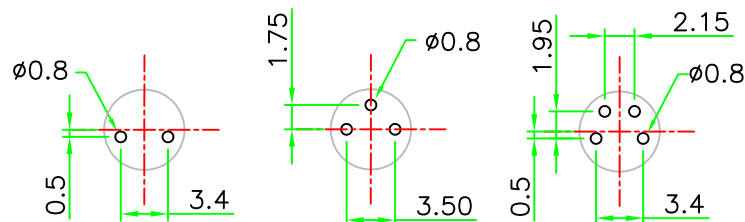
- ELECTRICAL CHARACTERISTICS:  
CURRENT RATING: 3A  
TEMPERATURE RANGE: -25°C TO +85°C  
DIELECTRIC WITHSTANDING VOLTAGE:  
500V AC FOR ONE MINUTE
- Panel Thickness Max. 4mm.
- HOW TO ORDER: A08D-M1xxHPR

- 02 - 2 PINS
- 03 - 3 PINS
- 04 - 4 PINS



PIN ASSIGNMENT FRONT VIEW

(前視圖)



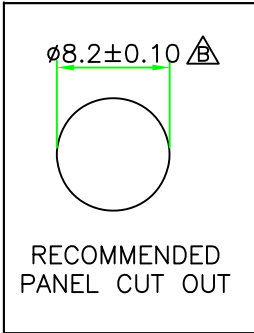
PCB LAYOUT

**HOLIN**® HTP ASIA TECHNOLOGY CO., LTD.  
禾凌科技股份有限公司

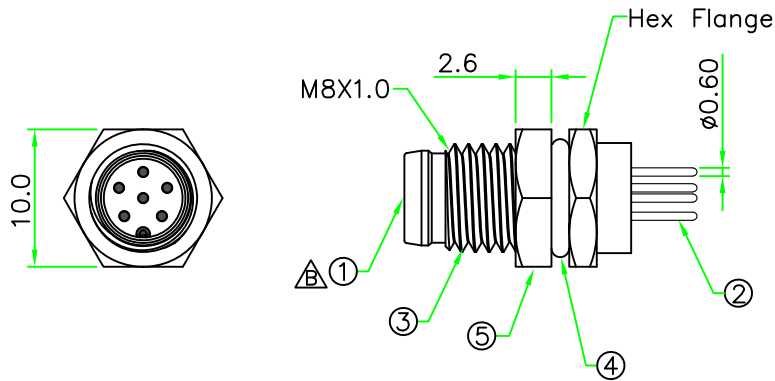
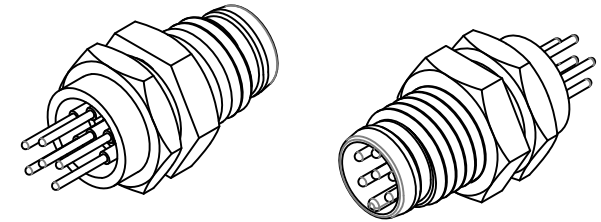
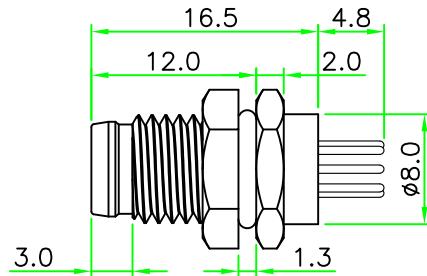
5	HEX NUT	BRASS, Nickel Plated.		1	
4	O-RING	Silicon.	BLACK	1	
3	SHELL	BRASS, Nickel Plated.		1	
2	CONTACT	BRASS, 6 u" Gold Plated. Male Contact.		N	
1	CONNECTOR	M8 A-Coding Male Connector Insert. Nylon+GF.	BLACK	1	
No.	PART NAME	DESCRIPTION	COLOR	Q'TY	REMARKS

UNIT: mm	TITLE	M8 A-Coding Male Panel Connector Rear Mount Hex Flange With PCB Pin
SCALE	2:1	
UNLESS OTHERWISE SPECIFIED TOLERANCES: .X ± 0.5 .XX ± 0.25 .XXX ± 0.1 ANGLE ± 1'	P/N:	A08D-M1xxHPR
REV. B	SHEET 1/1	DWG.NO: A08D-M1xxHPR
		DR. JAMES CH. ERIC AP.

REV.	DESCRIPTION	DATE
A	ISSUE	Aug/31/2015
B	Change Design & correct Draw No.	Oct/24/2019



RoHS  
IP66~68



NOTES:

1. ELECTRICAL CHARACTERISTICS:

CURRENT RATING: 1.5A

TEMPERATURE RANGE: -25°C TO +85°C

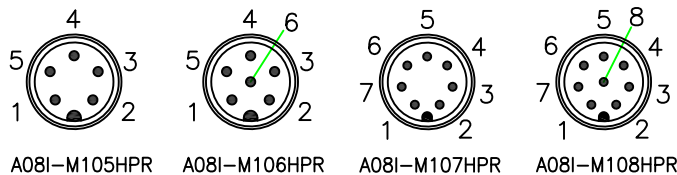
DIELECTRIC WITHSTANDING VOLTAGE:

500V AC FOR ONE MINUTE

2. Panel Thickness Max. 5mm.

3. HOW TO ORDER: A08I-M1xxHPR

05 - 5 PINS    06 - 6 PINS  
07 - 7 PINS    08 - 8 PINS



PIN ASSIGNMENT FRONT VIEW (前視圖)

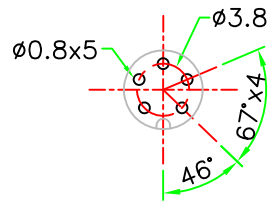
※OLD:A08x-M1xxHPR(A)  
※PCB Layout Next Page.

No.	PART NAME	DESCRIPTION	COLOR	Q'TY	REMARKS
5	HEX NUT	Brass, Nickel Plated.		1	
4	O-RING	Silicon.	BLACK	1	
3	SHELL	Brass, Nickel Plated.		1	
2	CONTACT	Brass, 6 u" Gold Plated. Male Contact.		N	
1	CONNECTOR	M8 A-Coding Male Connector Insert. Nylon+GF.	BLACK	1	

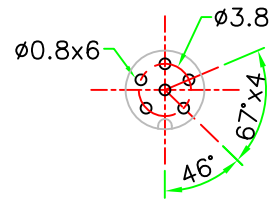
HOLIN® HTP ASIA TECHNOLOGY CO., LTD. 禾凌科技股份有限公司		TITLE	DR.
UNIT: mm	SCALE	M8 A-Coding Male Panel Connector Rear mount Hex Flange With PCB Pin	SIBYL
UNLESS OTHERWISE SPECIFIED TOLERANCES: .x ± 0.5 .xx ± 0.25 .xxx ± 0.1 ANGLE ± 1°		P/N: A08I-M1xxHPR	CH. JAMES
REV. B	SHEET 1/2	DWG.NO: A08I-M1xxHPR	AP.

REV.	DESCRIPTION	DATE
A	ISSUE	Aug/31/2015
B	Change Design & correct Draw No.	Oct/24/2019

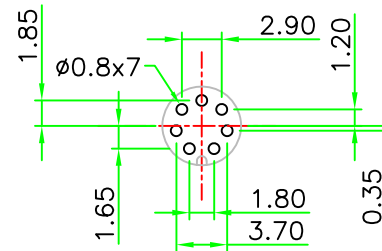
### PCB LAYOUT



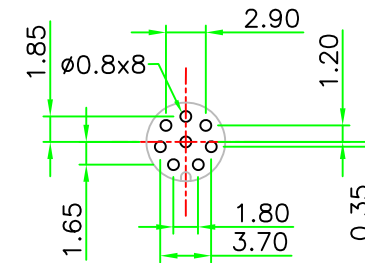
A08I-M105HPR



A08I-M106HPR






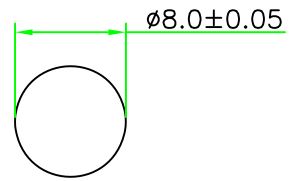
A08I-M107HPR



A08I-M108HPR

※OLD:A08x-M1xxHPR(A)

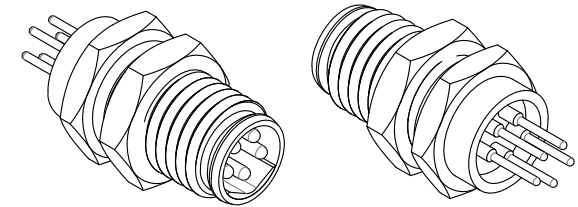
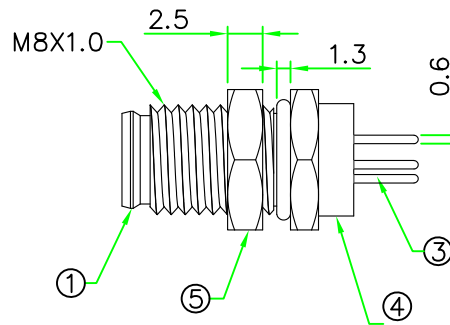
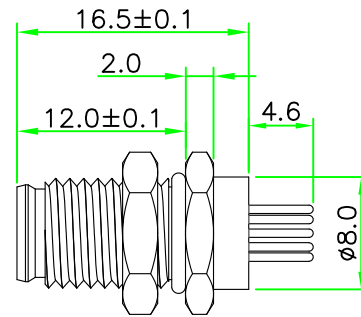
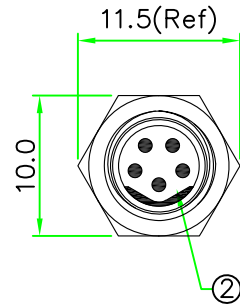
<b>HOLIN<sup>®</sup></b> HTP ASIA TECHNOLOGY CO., LTD. 禾凌科技股份有限公司			
	UNIT: mm	TITLE M8 A-Coding Male Panel Connector Rear mount Hex Flange With PCB Pin	
SCALE	2:1	P/N:	A08I-M1xxHPR 
UNLESS OTHERWISE SPECIFIED TOLERANCES: .x ± 0.5 .xx ± 0.25 .xxx ± 0.1 ANGLE ± 1°		DR.	SIBYL
REV.	SHEET	CH.	JAMES
B	2/2	DWG.NO:	A08I-M1xxHPR 
		AP.	



RECOMMEND PANEL CUT OUT

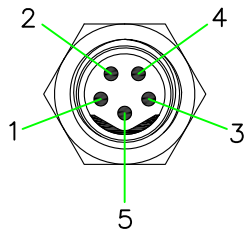
RoHS

IP66~68

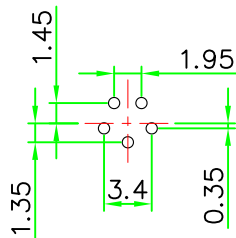


NOTES:

- ELECTRICAL CHARACTERISTICS:  
CURRENT RATING: 3A  
TEMPERATURE RANGE: -25°C TO +85°C  
DIELECTRIC WITHSTANDING VOLTAGE:  
500V AC FOR ONE MINUTE
- Panel Thickness Max. 5mm.
- HOW TO ORDER: B08D-M105HPR



PIN ASSIGNMENT FRONT VIEW (前視圖)



PCB LAYOUT

5	HEX NUT	BRASS, Nickel Plated.		1	
4	O-RING	Silicon.	BLACK	1	
3	CONTACT	BRASS , 6 u" Gold Plated. Male Contact.		5	
2	CONNECTOR	M8 B-Coding Male Connector Insert.NYLON+GF.	BLACK	1	
1	SHELL	BRASS, Nickel Plated.		1	
No.	PART NAME	DESCRIPTION	COLOR	Q'TY	REMARKS

<b>HOLIN<sup>®</sup> HTP ASIA TECHNOLOGY CO., LTD.</b> 禾凌科技股份有限公司					
	UNIT: mm	TITLE M8 B-Coding Male Panel Connector Rear mount Hex Flange With PCB Pin			
SCALE	2:1	P/N: B08D-M105HPR		DR. James	
UNLESS OTHERWISE SPECIFIED TOLERANCES: .x ± 0.5 .xx ± 0.25 .xxx ± 0.1 ANGLE ± 1°		DWG.NO: B08D-M105HPR		CH. ERIC	
REV. A	SHEET 1/1			AP.	