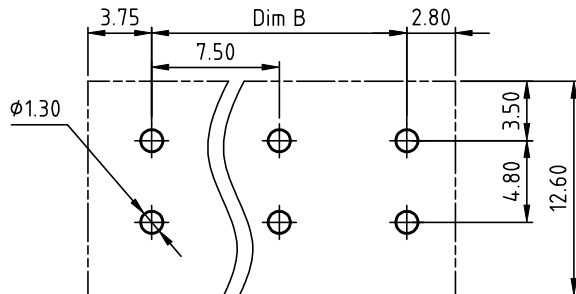
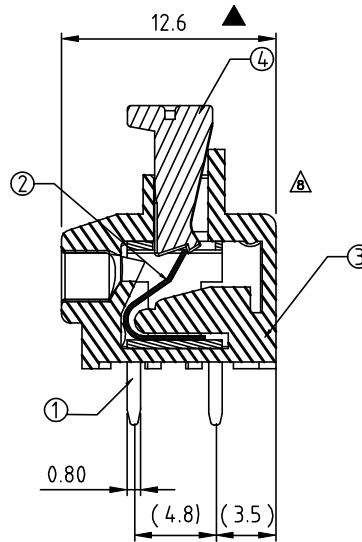
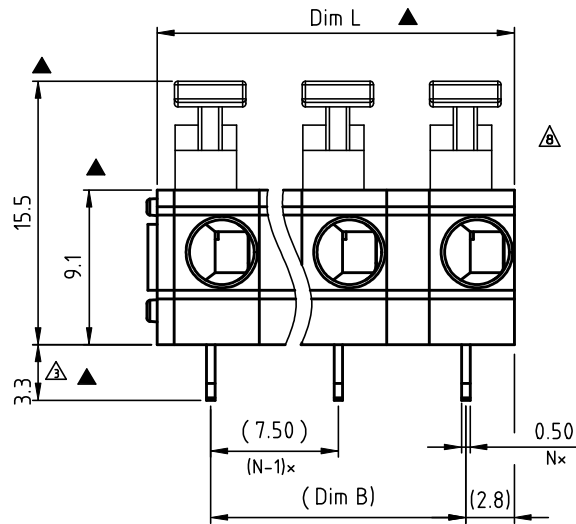
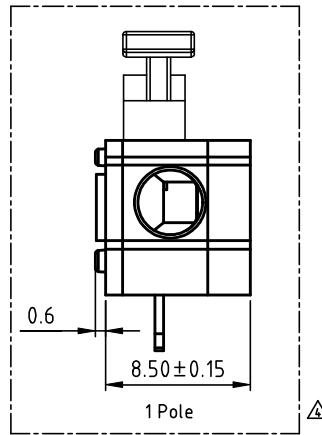
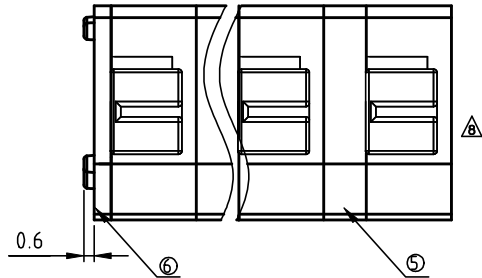


RoHS Compliant



P.C.B. LAYOUT
Top view

N=NUMBER OF POLES

Dim L	(N-1)×7.5+6.0
Dim B	(N-1)×7.5

	Dim L
2-4p	±0.2
5-8p	±0.3
9-12p	±0.4
13-16p	±0.45

Rev.	SIGN	DATE	DESCRIPTION	APPROVER
E	△	01/24/07	The Soldering temperature from 245° to 250°	Aaron
E	△	01/24/07	Add "VDE" stipulation	Aaron
F	△	01/02/13	change the electrical specification and the dimension from 3.6 to 3.3	Da cheng
G	△	03/18/15	Add the view	Airy min
H	△	11/11/19	Add the RoHS Compliant&Amphenol Logo.	Guoxue
	△	11/11/19	Update the VDE Current rating & Wire range&Voltage rating & Withstanding Voltage	Guoxue
	△	11/11/19	Add the "Reference dimension"	Guoxue
	△	11/11/19	Update the VIEW.	Guoxue
	△	11/11/19	Add the "Wave Soldering temperature: 260°C±5°C/5 Sec	Guoxue
	△	11/11/19	Delete the Dim B	Guoxue

THIS IS CAD DRAWING, DO NOT REVISE MANUALLY!!!

△ Material

- Item ① Contact pin : Brass. Bright Tin plated over Nickel plated
- Item ② Wire guard: Stainless steel
- Item ③ Insulator body: Thermoplastic (UL94V-0)
- Item ④ Insulator lever: Thermoplastic (UL94V-0) White color
- Item ⑤ Pad board: Thermoplastic (UL94V-0)
- Item ⑥ Insulating cover :Thermoplastic (UL94V-0)

△ Electrical

- | | |
|---|-------------------------|
| cULus | VDE |
| ● Voltage rating: 300VAC | 750VAC |
| ● Current rating: 10A | 9A |
| ● Wire range: | 0.2-0.75mm ² |
| ● Solid wire(AWG): 14-20 | |
| ● Stranded wire(AWG): 14-20 | |
| ● Wire strip length: 9-10mm | |
| ● Withstanding Voltage: 1.6KV | 3.0KV |
| ● Operating temperature: -40°C to +115°C | |
| ● Wave Soldering temperature: 260°C±5°C/5 Sec | |
| ● Safety Approval: | |
| ● Critical dimension: ▲ | |

- △ ● Reference dimension: (×)The dimensions of pitch are just for reference,take the actual assembly result as a judgment when inserting the terminal block into the PCB hole.

HB x x 21 x 0 xxxx G

- Poles →
- | | | |
|------------|---------------------|--|
| △ 01 1Pole | Body Color △ | RoHs compliant (lead<4%) In copper Alloy |
| 02 2Poles | 0 Black (RAL9005) | 000 0 Standard @ Logo |
| 03 3Poles | 2 Red (RAL3001/D) | 000 A Standard ANY Logo |
| • • | 3 Orange(RAL2011/P) | Any special item by customer request, please contact sales department. |
| • • | 4 Yellow(RAL1018/A) | |
| 16 16Poles | 5 Green(RAL6018/T) | |
| | 6 Blue (RAL5015/A) | |
| | 8 Grey(RAL7004/P) | |
| | 9 White(RAL1102) | |
| | C Multiple colors | |

Amphenol ANYTEK

CUSTOMER COPY

ALL RIGHTS RESERVED. REPRODUCTION OR ISSUE TO THIRD PARTIES IN ANY FORM WHATSOEVER IS NOT PERMITTED WITHOUT WRITTEN AUTHORITY FROM THE PROPRIETOR. PROPERTY OF ANYTEK TECHNOLOGY CO., LTD

TITLE	HB - 7.5mm Series (Single wire)			DWG NO.	8HB0101	
PART NO.	HBxx21x0xxxxG			CUST NO.		
APPROVED	CHECKED	DESIGNED	DRAWN	Tolerance		
		Guoxue 2019.11.11	Guoxue 2019.11.11		UNIT: mm	X. ±0.50
					SCALE: NONE	X.X ±0.30
				SHEET: 01/01	REV.: H	X.XX ±0.10
						X° ±1°