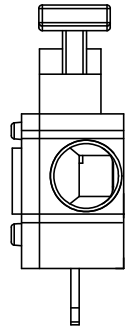
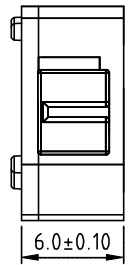


RoHS Compliant

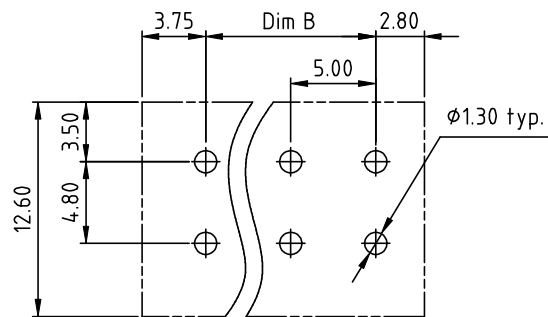
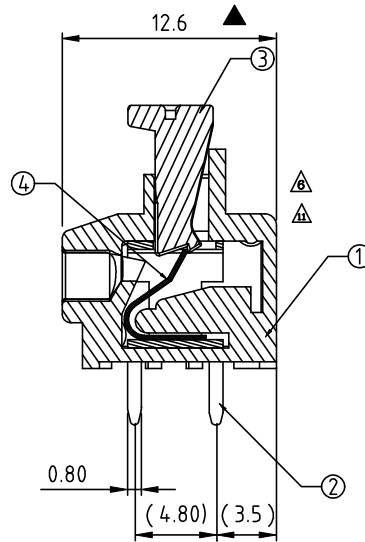
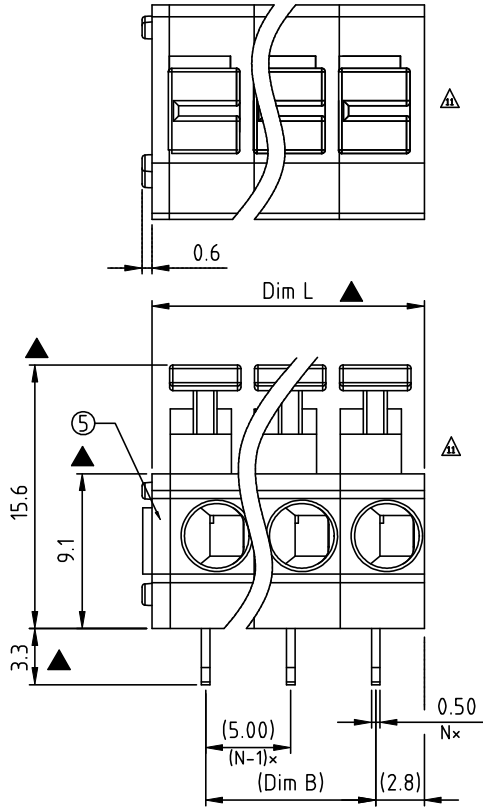
N=NUMBER OF POLES

Dim L	N×5.0+1.00
Dim B	(N-1)×5.0

POLES	Dim L
1p	±0.1
2p-6p	±0.2
7p-12p	±0.3
13p-18p	±0.4
19p-24p	±0.45



1 Pole



P.C.B. LAYOUT

Top view

Rev.	SIGN	DATE	DESCRIPTION	APPROVER
D	△	01/24/07	The Soldering temperature from 245° to 250°	Aaron
	△	01/24/07	Add "VDE" stipulation	Aaron
E	△	05/19/09	wire strip length changed from 6-7mm to 9-10mm	Eris
	△	05/19/09	temperature changed from -30°C-105°C to -40°C-115°C	Eris
	△	05/19/09	The tolerance of dimension is changed	Eris
F	△	01/11/11	The view is changed	Runner
G	△	01/02/13	change the electrical specification and the dimension from 3.6 to 3.3	Da cheng
	△	11/11/19	Add the RoHS Compliant&Amphenol Logo.	Guoxue
	△	11/11/19	Update the VDE Current rating & Wire range	Guoxue
	△	11/11/19	Add the "Reference dimension"	Guoxue
	△	11/11/19	Update the VIEW.& Add the CQC.	Guoxue
	△	11/11/19	Add the "Wave Soldering temperature: 260°C±5°C/5 Sec	Guoxue
	△	11/11/19	Delete the Dim.B	Guoxue
	△	11/11/19	Add the 1 Pole VIEW	Guoxue

THIS IS CAD DRAWING, DO NOT REVISE MANUALLY!!!

- Material
- Item ① Terminal housing: Thermoplastic (UL94V-0)
  - Item ② Solder Pin: Brass Tin plated.
  - Item ③ Lever: Thermoplastic (UL94V-0) White color
  - Item ④ Spring clamp: Stainless steel
  - Item ⑤ Terminal Cover: Thermoplastic (UL94V-0)

Electrica	cULus	VDE	CQC
● Voltage rating:	300VAC	450VAC	450VAC
● Current rating:	10A	9A	24A
● Wire range:		0.2-0.75mm <sup>2</sup>	0.5-2.5mm <sup>2</sup>
● Solid wire(AWG):	14-20		
● Stranded wire(AWG):	14-20		
● Wire strip length:	9-10mm		
● Withstanding Voltage:	1.6KV	2.5KV	2.5KV
● Operating temperature:	-40°C to +115°C		

- Wave Soldering temperature: 260°C±5°C/5 Sec
- Safety Approval:
- Critical dimension: ▲
- Reference dimension: (x) The dimensions of pitch are just for reference, take the actual assembly result as a judgment when inserting the terminal block into the PCB hole.

HB x x 0 1 x 0 xxxx G

- RoHS compliant (lead<4%) In copper Alloy
- Body Color
- 0 Black (RAL9005)
- 0000 Standard @ Logo
- 2 Red (RAL3001/D)
- 000A Standard ANY Logo
- 3 Orange(RAL2011/P)
- Any special item by customer request,
- 4 Yellow(RAL1018/A)
- 5 Green(RAL6018/T)
- 6 Blue (RAL5015/A)
- 8 Grey(RAL7004/P)
- 9 White(RAL1102)
- C Multiple colors

**Amphenol ANYTEK**

**CUSTOMER COPY**

ALL RIGHTS RESERVED. REPRODUCTION OR ISSUE TO THIRD PARTIES IN ANY FORM WHATSOEVER IS NOT PERMITTED WITHOUT WRITTEN AUTHORITY FROM THE PROPRIETOR. PROPERTY OF ANYTEK TECHNOLOGY CO., LTD

TITLE		HB - 5.0mm Series (Single wire)		
PART NO.	HBxx01x0xxxxG	DWG NO.	8HB0001	
APPROVED	CHECKED	DESIGNED	DRAWN	CUST NO.
		Guoxue 2019.11.11	Guoxue 2019.11.11	
				Tolerance
				X. ±0.50
				X.X ±0.30
				X.XX ±0.10
				X° ±1°
SHEET: 01/01				REV.: H