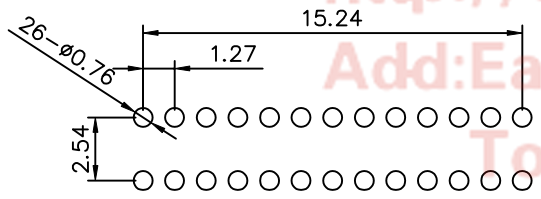
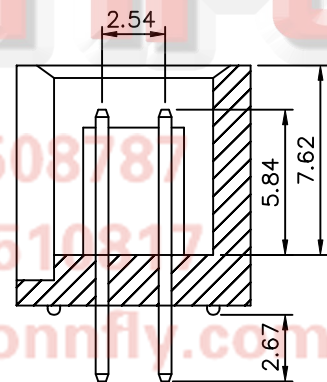
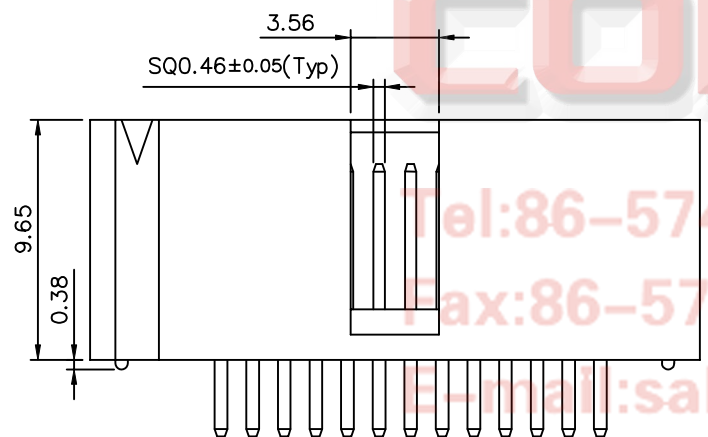
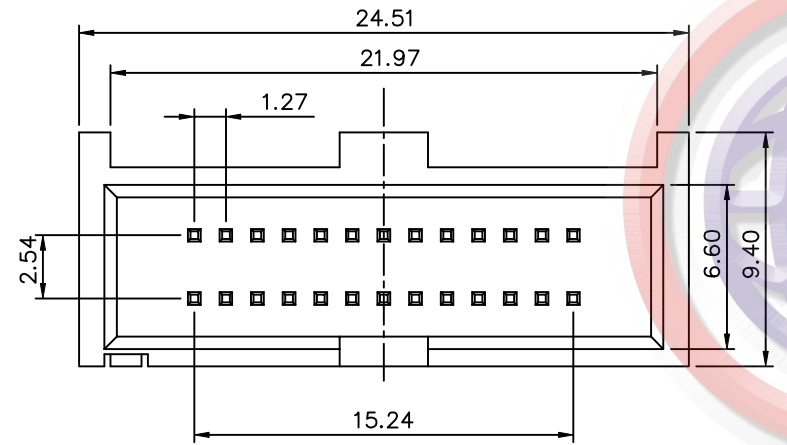


REV.	DESCRIPTION	DRAWN	CHECKED	APPROVED
A	NEW RELEASE	TQ 05/06/14'		

- Specifications:
- Insulator Material: High Temperature LCP, Color of Black, UL94 V-0.
 - Insulation Resistance: 5000 MΩ Min.
 - Max Processing Temp: 280° c for 10 Sec And 230° C for 30 to 60 Sec.
 - Operating Temp Range: -65° C To +105° C With Tin.
-65° C To +125° C With Gold.
 - Withstanding Voltage: 600V AC.
 - Contact Material: Copper Alloy, Plating: Full Gold Flash.
 - Current Rating: 1A Per Pin Max.
 - Part Number Code:
DS1064-11 - X.X.X.X.X - 3A

- PLATING LEVEL
3A: 3A GRADE
- PACKING TYPE
B: TUBE
- HOUSING COLOR
B: BLACK
- CONTACT PLATING
8: FULL GOLD
- MOUNTING TYPE
V: STRAIGHT TYPE
- No. OF CONTACTS
26



RECOMMEND PCB LAYOUT
TOLERANCE=±0.05mm

CONNFLY

Tel:86-574-63508787

Fax:86-574-63510817

E-mail:sale@connfly.com

http://www.connfly.com

Add:East Industry Zone KuangYan

Town Cixi Ningbo China

315333

GENERAL TOLERANCE		ANGLE TOLERANCE	
X.	±0.60	X.	±5°
.X	±0.38	.X	±3°
.XX	±0.25	.XX	±2°

DRAWING TYPE	CUSTOMER		
SCALE	1:1	SHEET	1 OF 1
DRAWING NO.	C-DS1064-11-XXXXXX		

PROJECTION		TITLE	1.27*2.54mm Box Header V/T Type H=9.65mm
UNITS	mm	SHEET SIZE	A4
SHEET SIZE	A4	SERIES	DS1064-11 SERIES

晨翔电子有限公司
CONNFLY® CONNFLY ELECTRONIC CO., LTD