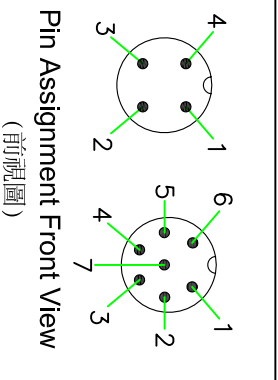
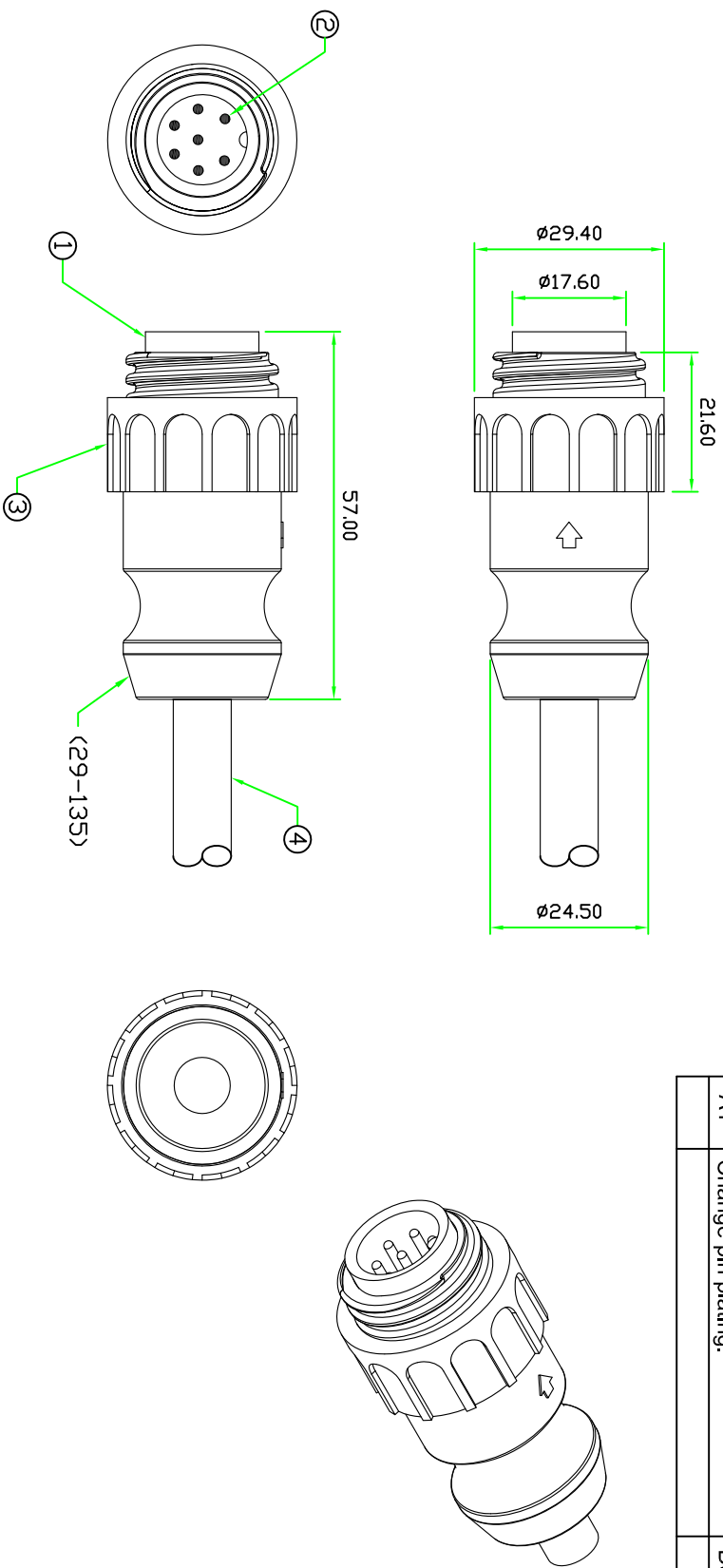
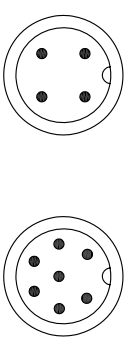


RoHS

REV.	DESCRIPTION	DATE
A	ISSUE	Sep/18/2008
A1	Change pin plating.	Dec/05/2013



CPP-P104SN CPP-P107SN



4	CABLE		1			
3	SCREW NUT	NYLON.	1	BLACK	P-SNM1 (28-135)	
2	CONTACT	BRASS, MALE PIN, 6U" GOLD PLATED.	N		C16-1-M-C-PS	
1	CONNECTOR	NYLON+GF.	1	BLACK	CPP-C1xM1-S (27-135)	
No.	PART NAME	DESCRIPTION				REMARKS

HOLIN® HTP ASIA TECHNOLOGY CO., LTD.
禾凌科技 股份有限公司

TITLE: CIRCULAR P SIZE MALE SCREW TYPE MOLDED CABLE

SCALE: 1:1 UNIT: mm

UNLESS OTHERWISE SPECIFIED TOLERANCES:
X ±0.25 XX ±0.1 XXX ±0.05 ANGLE ±1°

P/N: CPP-P1xxSN DR. JACK

REV. A1 SHEET 1/1 DWG. NO: CPP-P1xxSN CH. MICHAEL AP.