

SPECIFICATION

CUSTOMER	
PRODUCT P/N	UDDD-T040360-ARVGW
TYPE	0.36" four digits display red usual anode grey face

■ RECORD OF REVISION

Version	Date	Page	Description
0.0	2013/23/12	All	New document

■ FEATURES

Connecting Form : Usual Anode

Lighting Color : Red

■ ELECTRICAL OPTICAL CHARACTERISTICS (Ta = 25°C):

Parameter	Symbol	Min	Type	Max	Unt	Test Condition
Luminous Intensity	IV	50		70	mcd/cm ²	IF=20mA
Peak Wavelength	λ p				nm	IF=20mA
Wavelength	λ d	629		635	nm	IF=20mA
Spectrum Line Half-Width	△ λ				nm	IF=20mA
Forward Voltage	Vf	1.8	2.0	2.5	V	IF=20mA
Reverse Current	IR			50	uA	VR=5V
Suggestion Forward Current	IF	3	5-10	20	mA	IF=20mA

■ ABSOLUTE MAXIMUM RATINGS (Ta=25°C)

Parameter	Rating	Unit
Reverse Voltage	5	V
Power Dissipation Per Dice	50	mW/chip
Operating Temperature Ranger	-20~+85	°C
Storage Humidity	45%~85%	°F
Storage Temperature Ranger	-20~+95	°C
Soldering Temperature	260±5°C	For 3 Seconds
Peak IF(ma) (1/10Duty Cycle 0.1ms Pulse Width)	80	mA/chip
Continuous Forward Current	20	mA/chip

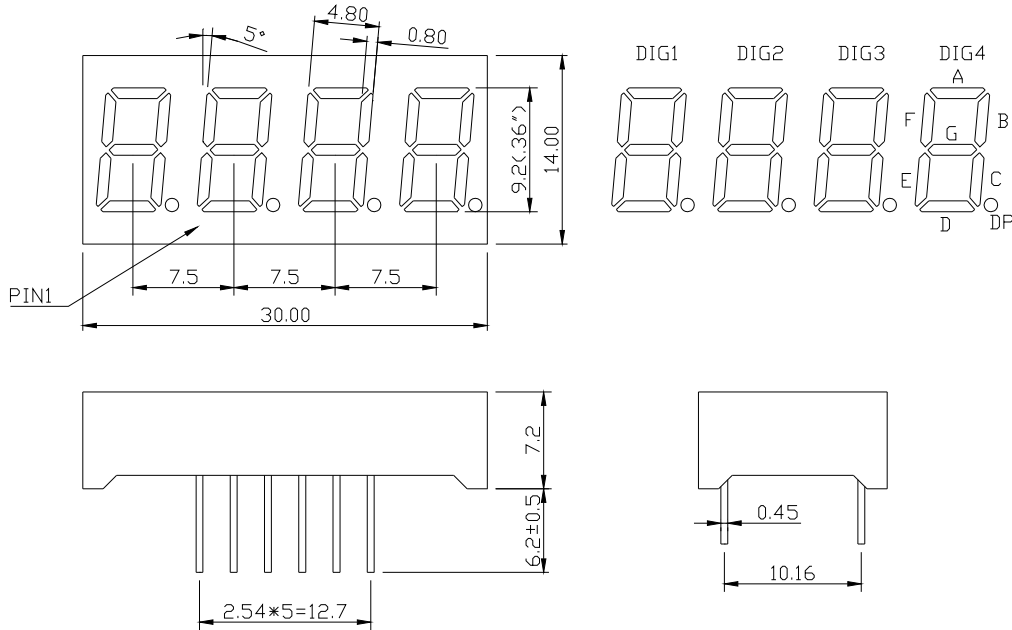
■ SUGGESTED WAY OF USAGE

When using LED it's circuit adopts current limiting with DC current about 5 ~ 10mA, not more than 20mA at maximum

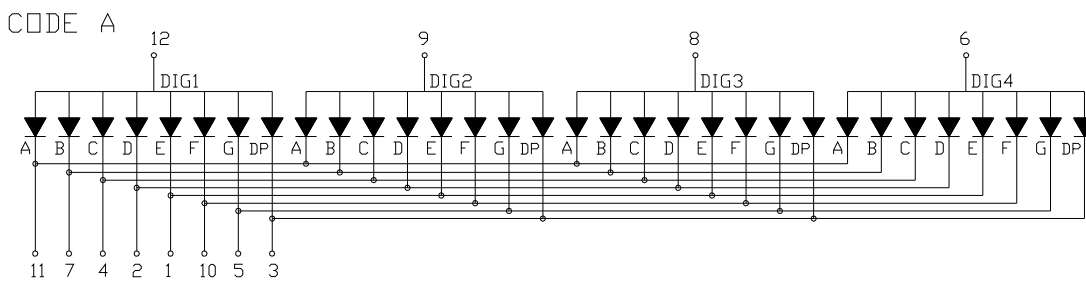
■ FRONT VIEW COLORS (FACE FILM)



■ PACKAGE DIMENSION



■ INTERNAL CIRCUIT DIAGRAM



Notes:

- a. All dimensions are in millimeters (inches)
- b. Tolerance are $\pm 0.25\text{mm}$ (0.01") unless otherwise noted