


SIGN	DATE	DESCRIPTION	APPROVER
△	2010.01.29	Add cULus standard	Jacke
△	2010.01.29	The wire strip length is changed	Jacke
△	2010.03.31	Add the 2p mark	Jacke

THIS IS CAD DRAWING, DO NOT REVISE MANUALLY!!!

Material:

- Item ① Terminal(housing): Thermoplastic (UL94V-0)
- Item ② Clamp: Brass(CuZn) Ni plated
- Item ③ Female contact: PhBz Tin plated
- Item ④ Terminal Screw: Steel zinc plated.

Electrical: cULus

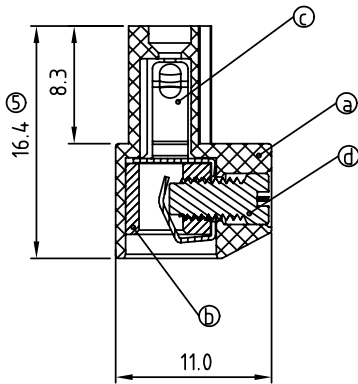
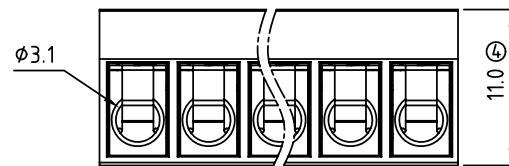
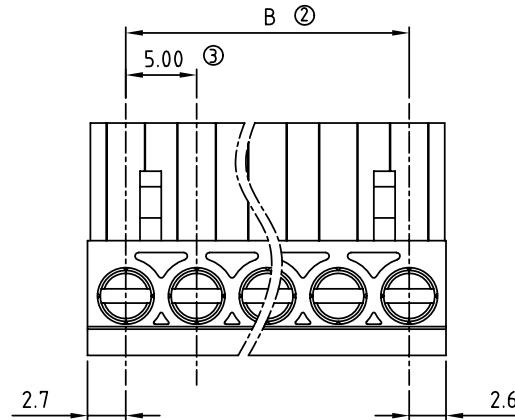
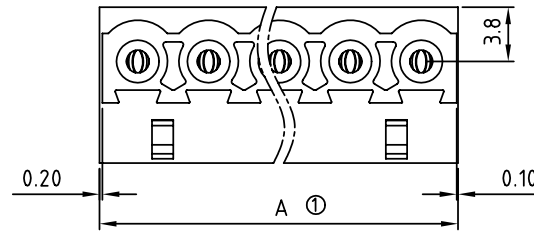
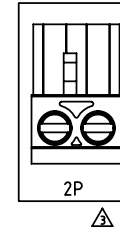
- Voltage rating: 300 V
- Current rating: 15 A
- Wire range:
 - Solid wire(AWG):12-22
 - Stranded wire(AWG):12-22
- Torque: 4.3 Lb-In
- Screw:M3
- △ ● Wire strip length:7-8 mm
- Withstanding Voltage:1.6KV
- Operating temperature:-40°C to +115°C
- △ ● Safety Approval: 

E Z xx 7 1 x 0 xxxx G

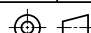
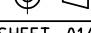
No. OF POLES
02: 2 POLES
:
24: 24 POLES

- COLOR
- 0 Black (RAL9005)
 - 2 Red (RAL3001/D)
 - 3 Orange(RAL2011/P)
 - 4 Yellow(RAL1018/A)
 - 5 Green(RAL6018/T)
 - 6 Blue (RAL5015/A)
 - 8 Grey(RAL7035/D)

G: Pb<40000ppm
0000: "@" Logo (Standard)
000A: "ANYTEK" Mark
Any special item by customer request. please contact sales department.



POLE	2	3	4	5	6	7	8	9	10	11	12	
A	10.30	15.30	20.30	25.30	30.30	35.30	40.30	45.30	50.30	55.30	60.30	
B	5.00	10.00	15.00	20.00	25.00	30.00	35.00	40.00	45.00	50.00	55.00	
Tol.	±0.15					±0.20						
POLE	13	14	15	16	17	18	19	20	21	22	23	24
A	65.30	70.30	75.30	80.30	85.30	90.30	95.30	100.30	105.30	110.30	115.30	120.30
B	60.00	65.00	70.00	75.00	80.00	85.00	90.00	95.00	100.00	105.00	110.00	115.00
Tol.	±0.25					±0.30						

ANYTEK				CUSTOMER COPY			
ALL RIGHTS RESERVED. REPRODUCTION OR ISSUE TO THIRD PARTIES IN ANY FORM WHATSOEVER IS NOT PERMITTED WITHOUT WRITTEN AUTHORITY FROM THE PROPRIETOR. PROPERTY OF ANYTEK TECHNOLOGY CO., LTD							
TITLE	EZ-5.0 Series						
PART NO.	EZxx71x0xxxxG			DWG NO.	8EZ0001		
APPROVED	CHECKED	DESIGNED	DRAWN	CUST NO.	Tolerance		
		Jacke 2010.03.31	Jacke 2010.01.29		UNIT: mm	X.	±0.50
					SCALE: NONE	X.X	±0.30
				SHEET: 01/01	REV.: D	X.XX	±0.10
						X°	±1°