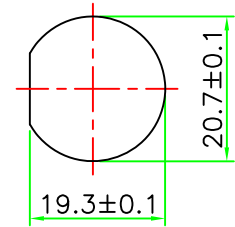


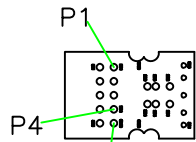
REV.	DESCRIPTION	DATE
A	ISSUE	Nov/15/2019



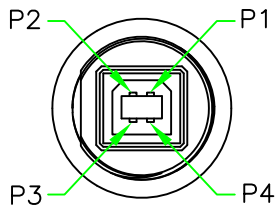
RECOMMENDED
PANEL CUT OUT

RoHS

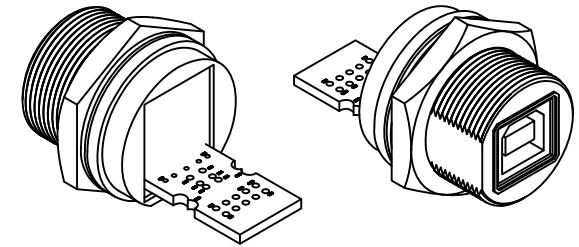
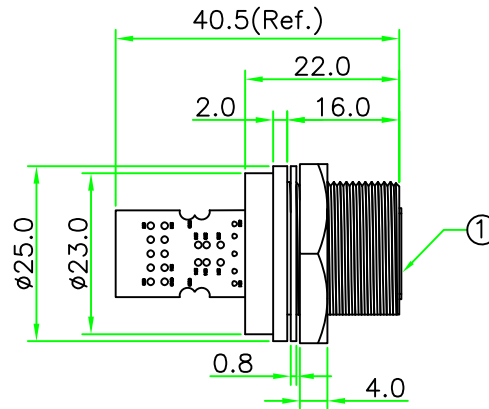
IP66~68



PIN ASSIGNMENT
TOP VIEW
(上視圖)

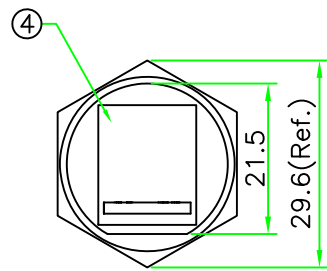


PIN ASSIGNMENT
FRONT VIEW
(前視圖)

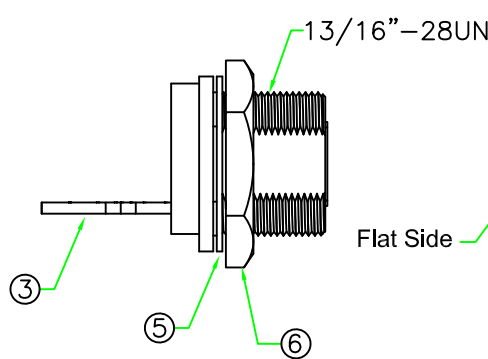


Notes:

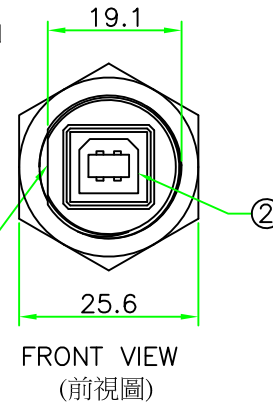
Current Rating : 1.5Amp
Contact Resistance : 30m Ohm Max.
Insulation Resistance : 100M Ohm Min.
Breakdown Voltage : ≥ AC 500V/1 Minute.
Operating Temperature : -25°C ~ +85°C.
Panel Thickness Max. : 6mm.



REAR VIEW
(後視圖)



Flat Side



FRONT VIEW
(前視圖)

No.	PART NAME	DESCRIPTION	COLOR	Q'TY	REMARKS
6	HEX NUT	NYLON+GF.	BLACK	1	
5	GASKET	EPDM.	BLACK	1	
4	GLUE	EPOXY.	BLACK		
3	PCB	FR4. Double Size, 1.6mm Thickness.		1	
2	CONNECTOR	USB 2.0 B Type Female Connector.	WHITE	1	
1	BODY	USB B Type Female Connector Body. NYLON+GF.	BLACK	1	

HOLIN® HTP ASIA TECHNOLOGY CO., LTD.
禾凌科技股份有限公司

UNIT: mm
SCALE: 1:1

TITLE: USB 2.0 B Type Female C Size Rear Mount Screw Type Circular Flange With Bare PCB

P/N: USB2BC-P3C10
DR. SIBYL
CH. JAMES

UNLESS OTHERWISE SPECIFIED TOLERANCES:
.X ± 0.5 .XX ± 0.25
.XXX ± 0.1 ANGLE ± 1°

REV. A SHEET 1/1 DWG.NO: USB2BC-P3C10 AP.