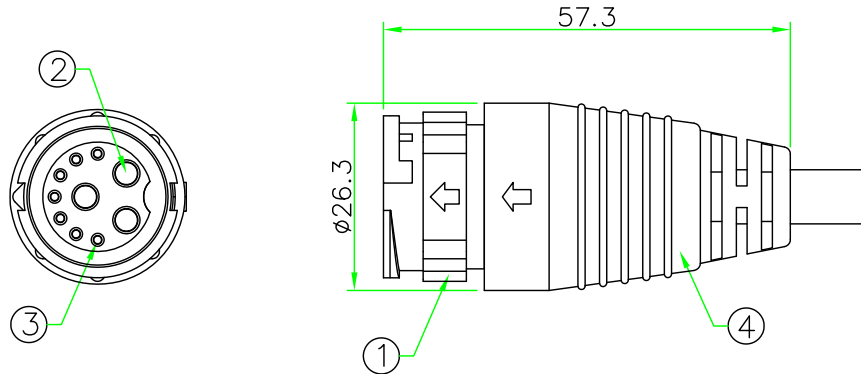


RoHS

IP66-68

REV.	DESCRIPTION	DATE
A	ISSUE	Jun/10/2015

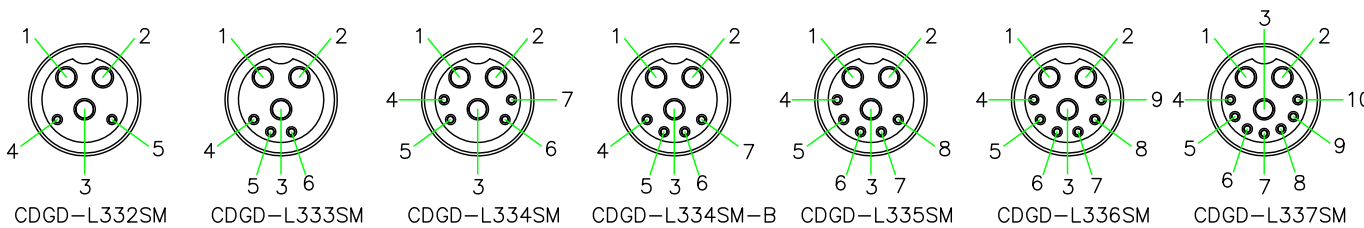
Ref.



NOTES:

- ELECTRICAL CHARACTERISTICS:  
 CURRENT RATING: 20A + 5A  
 CONNECTOR TEMPERATURE RANGE: -20°C TO +80°C  
 DIELECTRIC WITHSTANDING VOLTAGE:  
 500V AC FOR ONE MINUTE
- HOW TO ORDER: CDGD-L33xSM

- 02 - 2 PIN
- 03 - 3 PIN
- 04 - 4 PIN
- 05 - 5 PIN
- 06 - 6 PIN
- 07 - 7 PIN



Pin Assignment Front View  
(前視圖)

No.	PART NAME	DESCRIPTION	COLOR	Q'TY	REMARKS
4	OVERMOLD	PVC or PU.		1	
3	CONTACT	Brass, Female Pin. 6u" Gold Plated.(5A)		N	
2	CONTACT	Brass, Female Pin. 6u" Gold Plated.(20A)		3	
1	CONNECTOR	CDGD Male Connector Insert, NYLON+GF.	BLACK	1	

**HOLIN®** HTP ASIA TECHNOLOGY CO., LTD.  
禾凌科技股份有限公司

	UNIT: mm	TITLE :	Circular D Size Lock Type Male Connector Female Pin Molded Cable
SCALE	1:1	P/N:	CDGD-L33xSM(-B)
UNLESS OTHERWISE SPECIFIED TOLERANCES: .X ± 0.5 .XX ± 0.25 .XXX ± 0.1 ANGLE ± 1°		DR.	Patty
REV.	SHEET	CH.	ERIC
A	1/1	AP.	
		DWG.NO:	CDGD-L33xSM(-B)