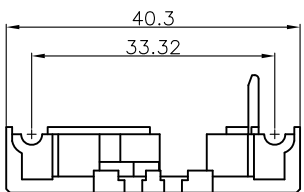
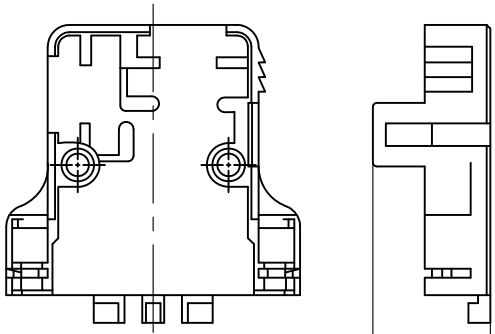
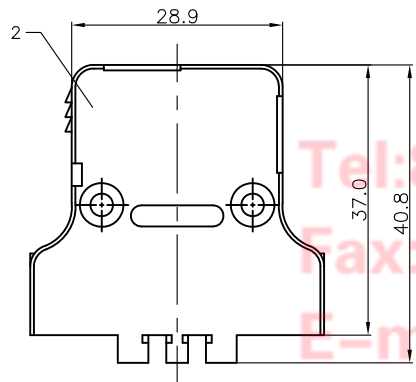
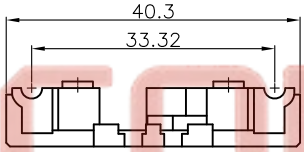
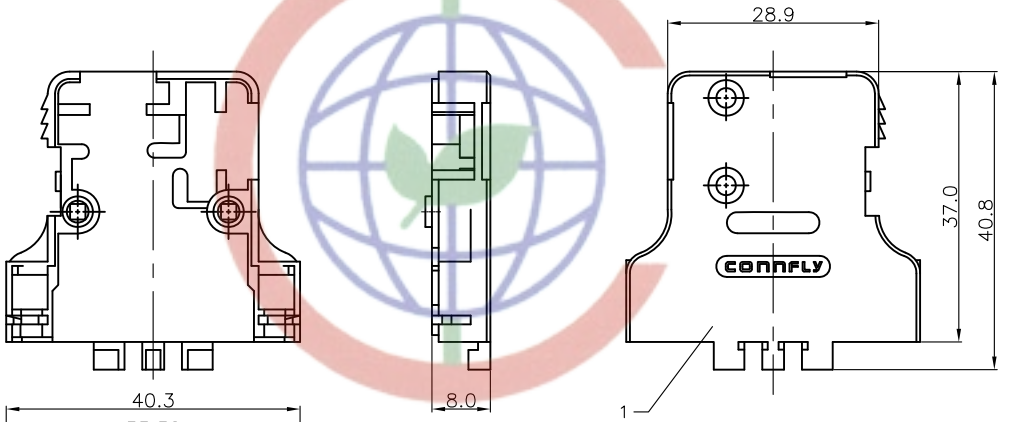
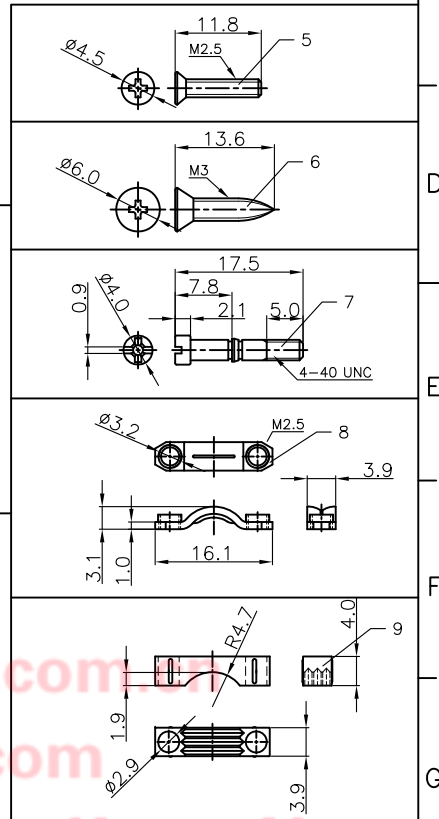


REV.	DESCRIPTION	DRAWN	CHECKED	APPROVED
A	NEW RELEASE	YCH 12/21/09'	~	

NOTES:
1. PART NUMBER CODE:
DS1050 - 15 XX

Packing type
1: Mix packing
2: Separation packing
Cover Material
N: Nickel plating
Position
15: 15pin

BOM LIST			
ITEM	PART NAME	Q'ty	NOTES
1	PLASTIC HOOD-1	1	ABS
2	PLASTIC HOOD-2	1	ABS
3	SR	1	ABS
4	SEAL BLOCK	1	ABS
5	SHORT SCREW	2	M3
6	LONG SCREW	3	M3
7	BOLT	2	UNC #4-40
8	WASHER	2	M2.5
9	STRAIN RELIEF	1	



GENERAL TOLERANCE		ANGLE TOLERANCE		PROJECTION		TITLE	
X.	±0.60	X.	±5°	UNITS		D-SUB 90°/180° Hoods	
.X	±0.38	.X	±3°	mm		Ninkel plated	
.XX	±0.25	.XX	±2°	SHEET SIZE		SERIES DS1050 SERIES	
DRAWING TYPE		COSTOMER		晨翔电子有限公司 CONNFLY CONNFLY ELECTRONIC CO. LTD			
SCALE		SHEET					
DRAWING NO.		1 OF 1					

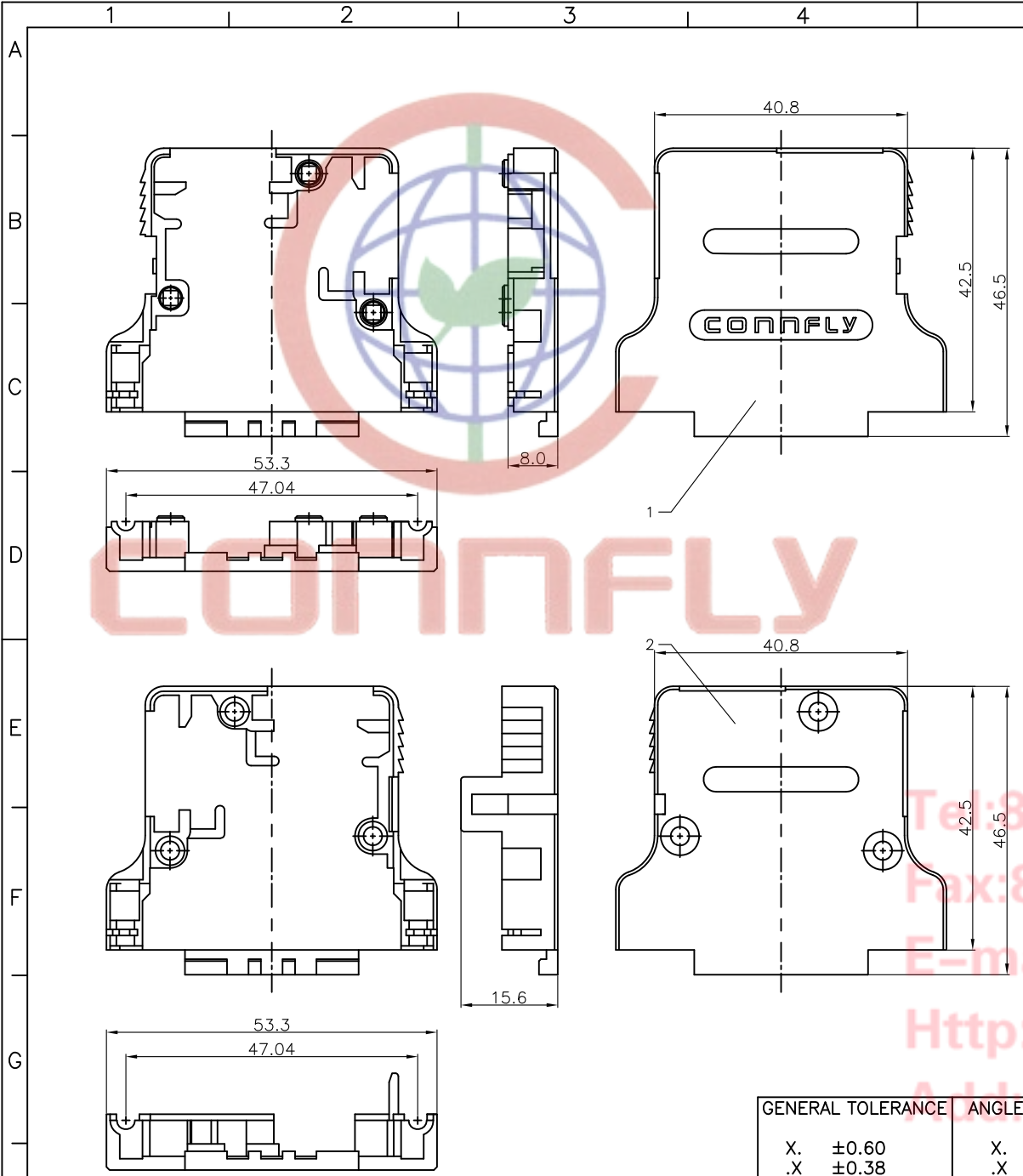
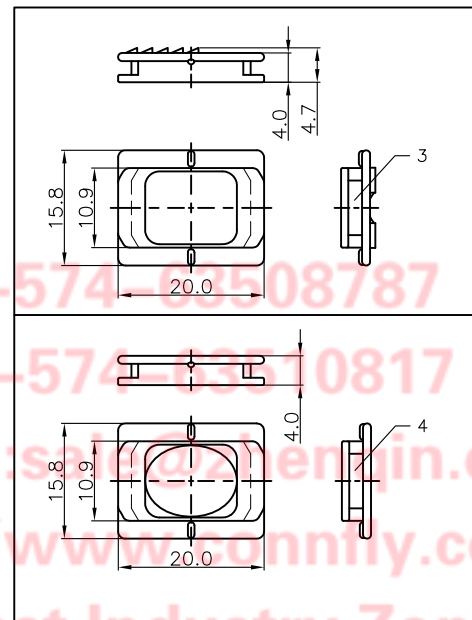
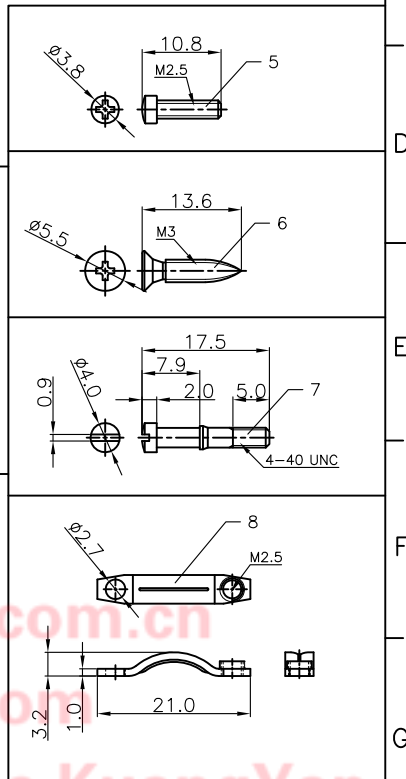
Tel:86-574-63508787
Fax:86-574-23510817
E-mail:sales@connfly.com
Http://www.connfly.com

REV.	DESCRIPTION	DRAWN	CHECKED	APPROVED
A	NEW RELEASE	YCH 12/21/09'	~	

NOTES:
1. PART NUMBER CODE:
DS1050 - 25 X X

Packing type
1: Mix packing
2: Separation packing
Cover Material
N: Nickel plating
Position
25: 25pin

BOM LIST			
ITEM	PART NAME	Q'ty	NOTES
1	PLASTIC HOOD-1	1	ABS
2	PLASTIC HOOD-2	1	ABS
3	SR	1	ABS
4	SEAL BLOCK	1	ABS
5	SHORT SCREW	2	M2.5
6	LONG SCREW	3	M3
7	BOLT	2	UNC #4-40
8	WASHER	2	M2.5



GENERAL TOLERANCE	ANGLE TOLERANCE	PROJECTION	TITLE
X. ±0.60	X. ±5°	UNITS mm	D-SUB 90°/180° Hoods Ninkel plated
.X ±0.38	.X ±3°	SHEET SIZE A4	SERIES DS1050 SERIES
.XX ±0.25	.XX ±2°		
DRAWING TYPE	COSTOMER	晨翔电子有限公司 CONNFLY CONNFLY ELECTRONIC CO. LTD	
SCALE	1:1 SHEET 1 OF 1		
DRAWING NO.	C-DS1050-25XX		