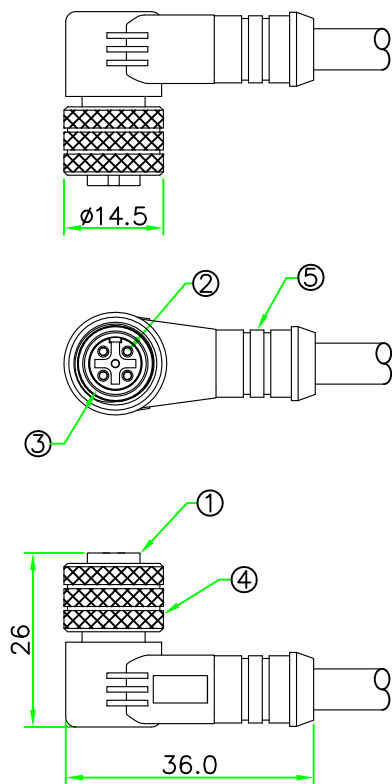
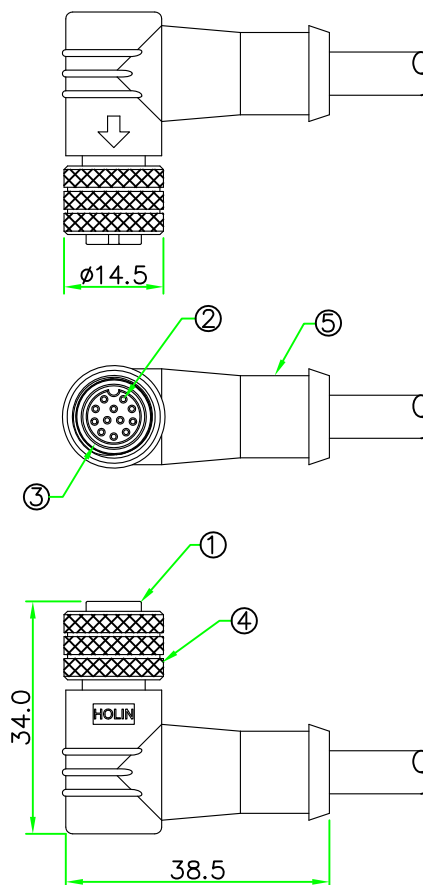


**RoHS**  
**IP66~68**

**2~5PIN**



**6~12PIN**



REV.	DESCRIPTION	DATE
A	ISSUE	Dec/22/2009
A1	Add 2.6.7.9.10.11 pin assignment	Jan/11/2016

NOTES:

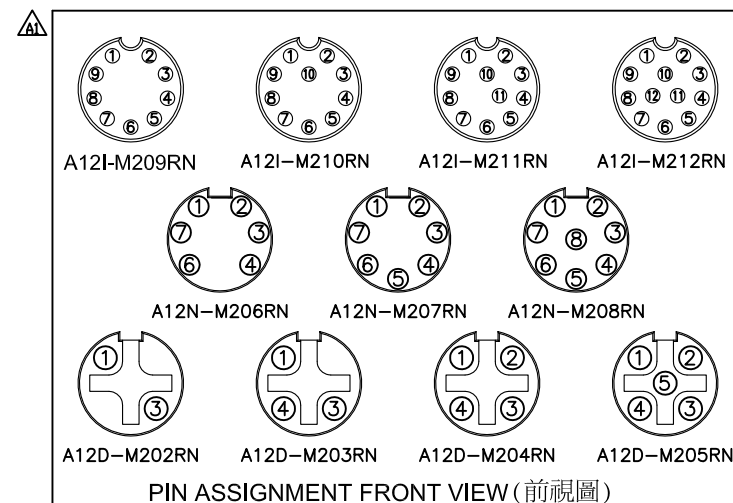
1. ELECTRICAL CHARACTERISTICS:

CURRENT RATING: 1.5A / 2A / 4A  
TEMPERATURE RANGE: -20°C TO +80°C  
DIELECTRIC WITHSTANDING VOLTAGE:  
500V AC FOR ONE MINUTE

2. HOW TO ORDER: A12x-M2xxRN

02 - 2 PIN 08 - 8 PIN  
03 - 3 PIN 09 - 9 PIN  
04 - 4 PIN 10 - 10PIN  
05 - 5 PIN 11 - 11PIN  
06 - 6 PIN 12 - 12PIN  
07 - 7 PIN

I - CURRENT RATING 1.5A  
N - CURRENT RATING 2A  
D - CURRENT RATING 4A



**HOLIN® HTP ASIA TECHNOLOGY CO., LTD.**  
禾凌科技股份有限公司

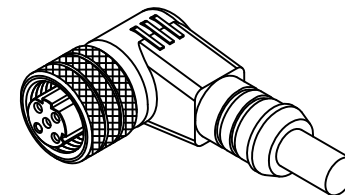
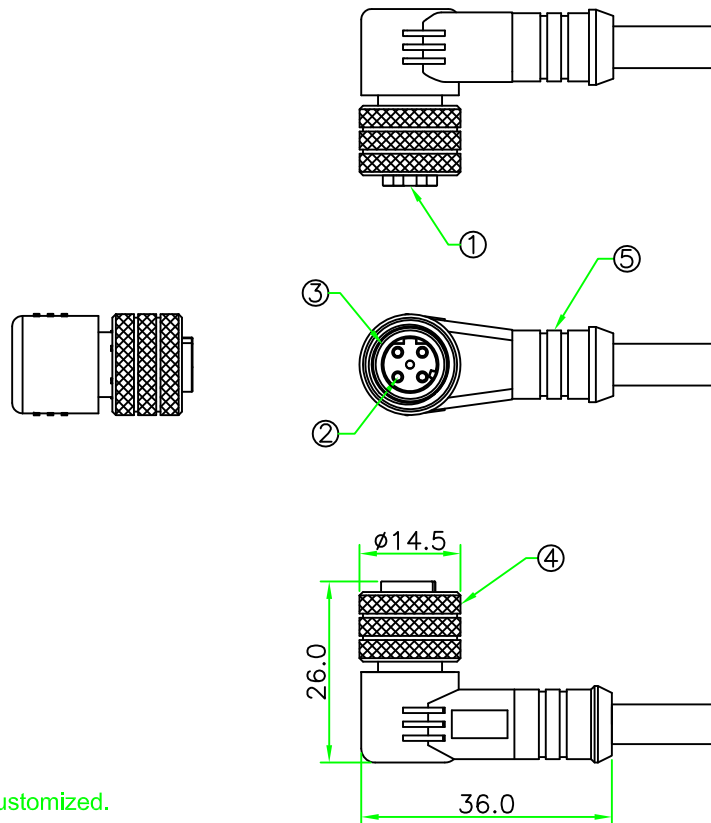
	UNIT: mm	TITLE	M12 A-Coding Female Connector Right Angle Molded Cable
	SCALE		
UNLESS OTHERWISE SPECIFIED TOLERANCES: x ±0.5 xx ±0.25 xxx ±0.1 ANGLE ± 1'		P/N:	A12x-M2xxRN
REV.	SHEET	DWG.NO:	A12x-M2xxRN
A1	1/1		
		DR.	Patty
		CH.	ERIC
		AP.	

No.	PART NAME	DESCRIPTION	COLOR	Q'TY	REMARKS
5	OVERMOLDED	PVC or PU.	BLACK	1	
4	RING NUT	BRASS, Nickel Plated.		1	
3	O-RING	VITON.	BLACK	1	
2	CONTACT	BRASS, 6 u" Gold Plated. Female Contact.		N	
1	CONNECTOR	M12 A-Coding Female Connector Insert. NYLON+GF.	BLACK	1	

RoHS

IP66-68

REV.	DESCRIPTION	DATE
A	ISSUE	Jul/22/2015



NOTES:

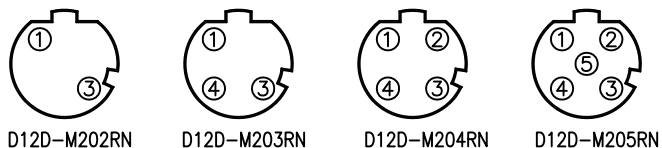
1. ELECTRICAL CHARACTERISTICS:

CURRENT RATING: 4A  
 TEMPERATURE RANGE: -20°C TO +80°C  
 DIELECTRIC WITHSTANDING VOLTAGE:  
 500V AC FOR ONE MINUTE

2. HOW TO ORDER: D12D-M2xxRN

- 02 - 2 PIN
- 03 - 3 PIN
- 04 - 4 PIN
- 05 - 5 PIN

\*Cable specification and length can be customized.



Pin Assignment Front View (前視圖)

No.	PART NAME	DESCRIPTION	COLOR	Q'TY	REMARKS
5	OVERMOLD	PU or PVC.	BLACK		
4	RING NUT	BRASS, Nickel Plated.		1	
3	O-RING	VITON	BLACK	1	
2	CONTACT	BRASS, 6u" Gold Plated. Female Pin.		N	
1	CONNECTOR	M12 D-Coding Female Connector Insert, NYLON+GF.	BLACK	1	

**HOLIN<sup>®</sup>** HTP ASIA TECHNOLOGY CO., LTD.  
 禾凌科技股份有限公司

UNIT: mm SCALE: 1:1	TITLE: M12 D-Coding Female Connector Right Angle Molded Cable Ass'y
UNLESS OTHERWISE SPECIFIED TOLERANCES: X ± 0.5    XX ± 0.25 .XXX ± 0.1    ANGLE ± 1°	P/N: D12D-M2xxRN DR. Patty CH. ERIC
REV. A    SHEET 1/1	DWG.NO: D12D-M2xxRN AP.