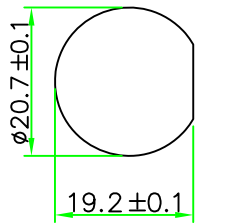
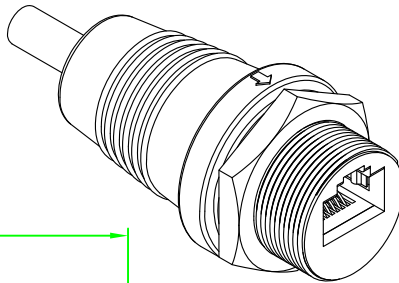
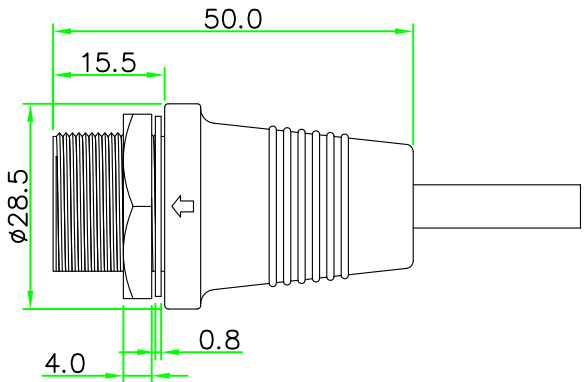


REV.	DESCRIPTION	DATE
A	ISSUE	Aug/19/2015

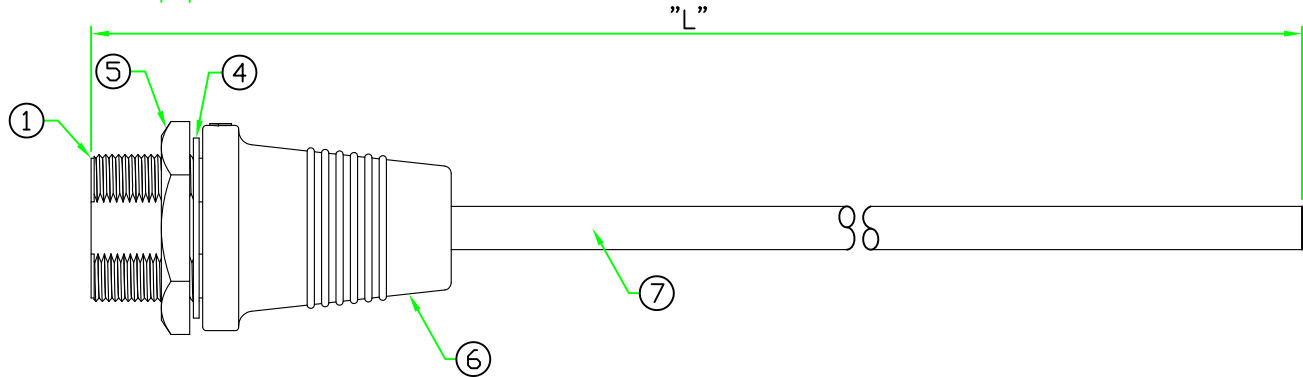
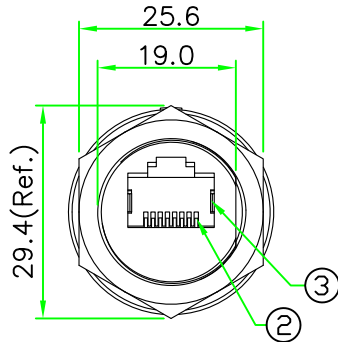


RECOMMENDED
PANEL CUT OUT

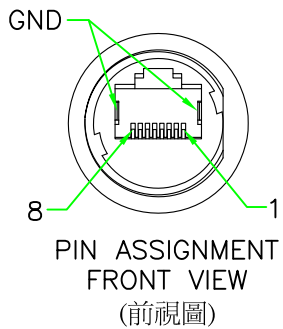


RoHS

IP66

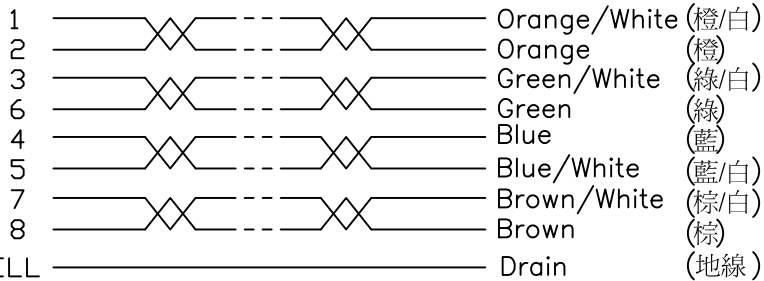


Wiring Diagram



PIN ASSIGNMENT
FRONT VIEW
(前視圖)

RJ45 PLUG



NOTES:

1. Current Rating: 1A
2. Connector Temperature Range: -20°C to 80°C
3. Contact Resistance: ≤30mΩ
4. Insulation Resistance: ≥100MΩ
5. Breakdown Voltage: ≥AC 500V/1 Minute
6. Request Panel Thickness Max. 4.0 mm

No.	PART NAME	DESCRIPTION	COLOR	Q'TY	REMARKS
7	CABLE	CAT. 5E 24AWG x 4P+D, FTP.	BLACK		
6	OVERMOLD	PVC.	BLACK	1	
5	HEX NUT	NYLON+GF.	BLACK	1	
4	GASKET	EPDM.	BLACK	1	
3	GROUND	Ground Contact. SUS304.		2	
2	CONTACT	RJ45 Pin Contact. Phos. Bronze 50u" Gold plating.		8	
1	CONNECTOR	RJ45 Jack Connector Body. NYLON+GF.	BLACK	1	

HOLIN® HTP ASIA TECHNOLOGY CO., LTD.
禾凌科技股份有限公司

	UNIT: mm	TITLE :	RJ45 Jack C Size Screw Type Male Connector Female Pin Molded Cable
SCALE	1:1	P/N:	RJ45C-P3CSN-xxM
<small>UNLESS OTHERWISE SPECIFIED TOLERANCES: .x ± 0.5 .xx ± 0.25 .xxx ± 0.1 ANGLE ± 1°</small>	REV.	SHEET	DR. Patty CH. ERIC
A	1/1	DWG.NO:	AP. RJ45C-P3CSN-xxM