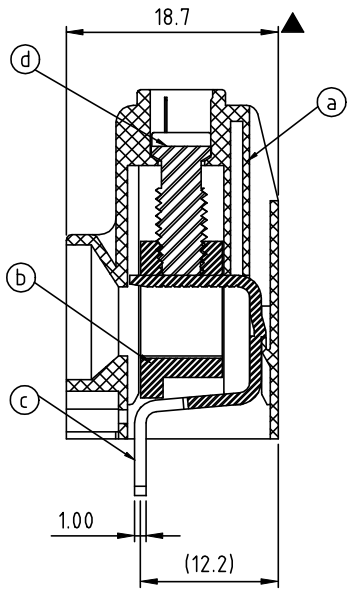
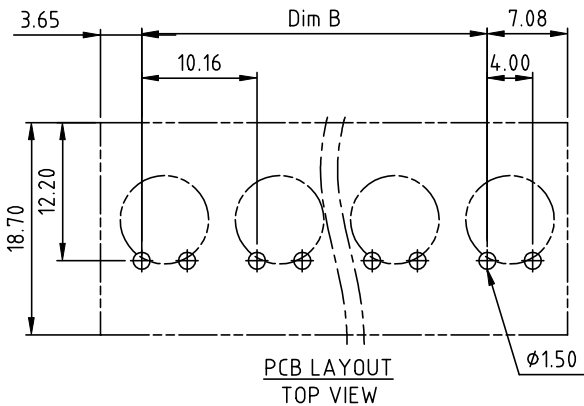
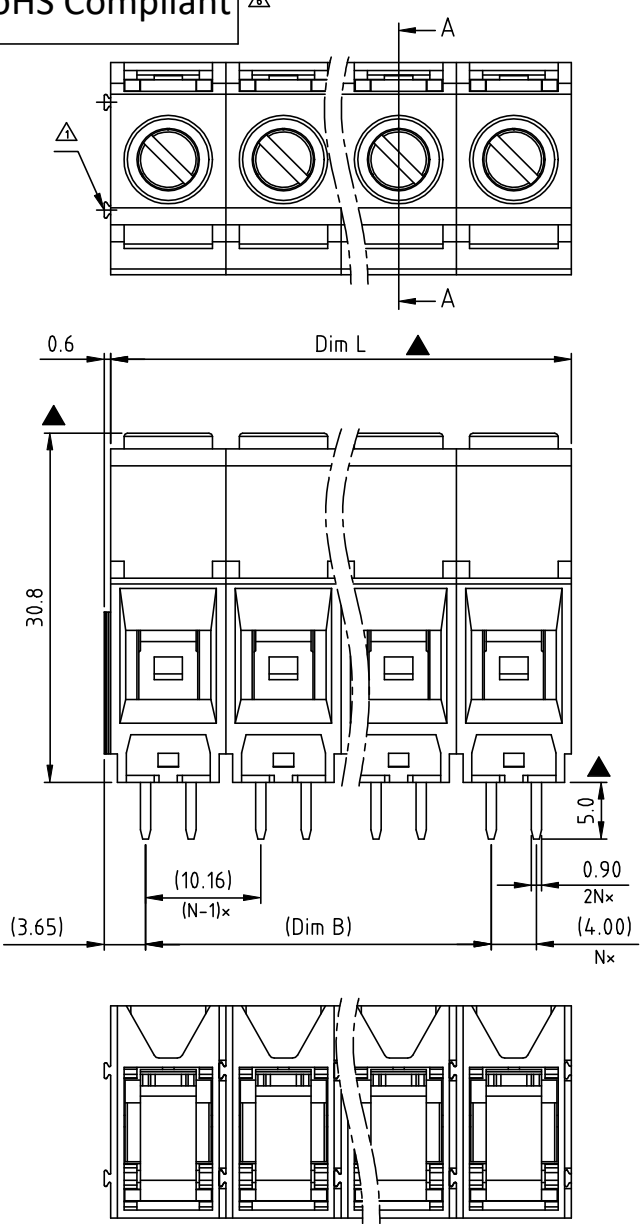


RoHS Compliant



SECTION A-A

N = Number of poles
 Dim L = Nx10.16
 Dim B = (N-1)x10.16

Poles	Dim.L Tolerance
2P-4P	±0.20
5P-8P	±0.30
9P-12P	±0.40

Rev.	SIGN	DATE	DESCRIPTION	APPROVER
C	△	2010.12.20	The design is changed	Chen Bo
D	△	07/29/11	The torque is changed & Add is the "cULus" mark	Runner
	△	07/29/11	The voltage rating is changed from 600V to 300V	Runner
	△	07/29/11	The withstanding voltage is changed from 2.2KV to 1.6KV	Runner
E	△	06/25/19	Add the TUV and update Critical dimension:	Guoxue
	△	06/25/19	Add the Rohs compliant & Amphenol logo.	Guoxue
	△	06/25/19	Add the "Wave Soldering temperature : 260°C±5°C/5 Sec	Guoxue
	△	06/25/19	Add Reference dimension and the "color code."	Guoxue
F	△	07/23/20	TUV Logo is change from to	Guoxue
	△	07/23/20	Add the TUV & TUV Electrical parameters.	Guoxue

THIS IS CAD DRAWING, DO NOT REVISE MANUALLY!!!

Material:

- Item ① Terminal housing :Thermoplastic (UL 94V-0)
- Item ② Clamp : Brass, Ni plated.
- Item ③ Wire guard solder pin (Front single row) : Copper , Tin plated
- Item ④ Terminal screw: Steel Zinc plating"- "slot type
- △ Electrical cULus TUV
- △ ● Voltage rating : 300V 450V
- Current rating : 65A 76A △
- Wire range : 0.5-16mm²
- Solid wire (AWG) : 6-20
- Stranded wire (AWG) : 6-20
- △ ● Torque : 12.2LB-In 1.38N.m
- Screw : M4.5
- Wire strip length : 10~11mm
- △ ● Withstanding voltage : 1.6KV 2.5KV
- Operating temperature : -40°C to +115°C
- △ ● Wave Soldering temperature : 260°C±5°C/5 Sec
- △ ● Safety Approval:
- △ ● Critical dimension:
- △ ● Reference dimension: (x)The dimensions of pitch are just for reference, take the actual assembly result as a judgment when inserting the terminal block into the PCB hole.

KP xx 2 1 x 2 xxxx G

- 02 2 Poles
 - 03 3 Poles
 -
 - 12 12 Poles
- Color 0000:"@ "Logo (Standard)
 000A:"ANYTEK" Logo
 Any special item by customer request, please contact sales department.
- 0 Black (RAL9005)
 - 2 Red (RAL3001/D)
 - 3 Orange(RAL2011/P)
 - 4 Yellow(RAL1018/A)
 - 5 Green(RAL6018/T)
 - 6 Blue (RAL5015/A)
 - 8 Grey(RAL7035/D)
 - 9 White(RAL1102)
 - C Green(RAL6018/U)
- G:RoHS compliant(lead<4% in copper alloy)

		CUSTOMER COPY ALL RIGHTS RESERVED. REPRODUCTION OR ISSUE TO THIRD PARTIES IN ANY FORM WHATSOEVER IS NOT PERMITTED WITHOUT WRITTEN AUTHORITY FROM THE PROPRIETOR. PROPERTY OF ANYTEK TECHNOLOGY CO., LTD			
PART NO.		KPxx21x2xxxxG		DWG NO. 8KP0103	
APPROVED		CHECKED	DESIGNED	DRAWN	CUST NO.
			Guoxue 2020.07.23	Guoxue 2020.07.23	
				UNIT: mm	X. ±0.50
		SHEET: 01/01		SCALE: NONE	X.X ±0.30
				REV.: F	X.XX ±0.10
					X° ±1°