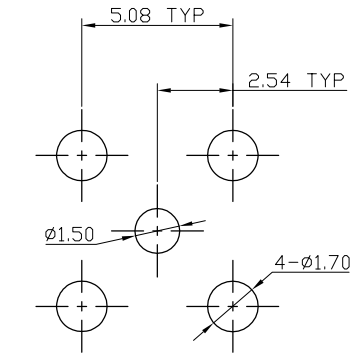
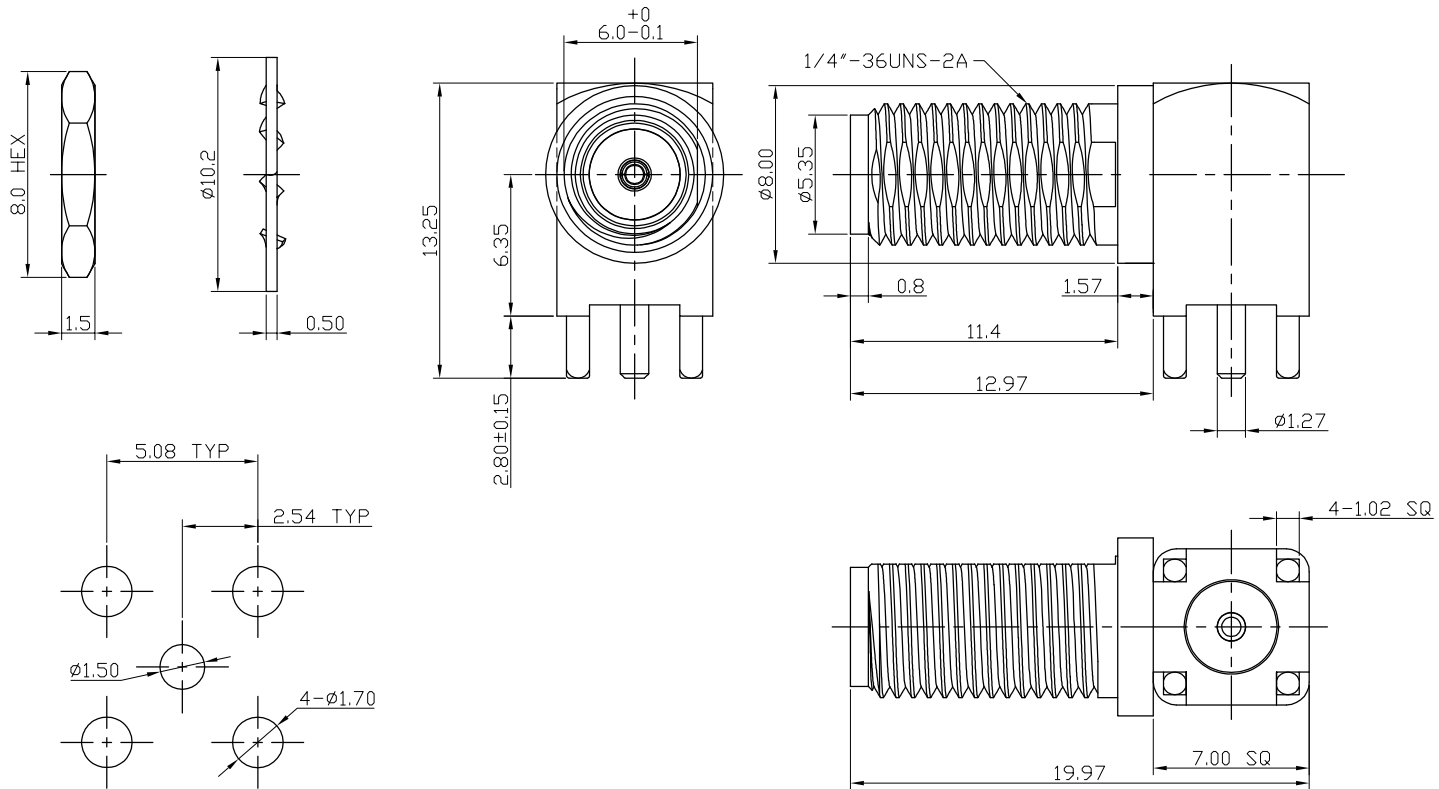


RoHS COMPLIANT

REVISIONS

REV	DESCRIPTION	DATE	APPROVED
1.00	CHG Drawing DIM 1.57 w. 0.7mm	2021/01/26	Kelly



RECOMMENDED PCB LAYOUT

Wellshow Technology Co., Ltd

[Http://www.rfcoaxcable.com](http://www.rfcoaxcable.com)

NO	DESCRIPTION	MATERIAL	FINISH	Q'TY	ITEM
07	NUT	BRASS	GOLD	1	
06	WASHER	BRASS	GOLD	1	
05	INSULATOR B	TEFLON	NONE	1	
04	INSULATOR A	TEFLON	NONE	1	
03	CONTACT	BRASS	GOLD	1	
02	BODY	BRASS	GOLD	1	
01	HOUSING	BRASS	GOLD	1	

TITLE SMA R/A bulkhead Jack for PCB					
DWG NO. C02BOWSP00202B-2		CUST. P/N: N/A DWG NO: N/A		UNIT mm	REV. 1.00
GENERAL TOLERANCES .X ±0.25 .XX ±0.12 .XXX NA ANGLES NA		SCALE 3 : 1		APPROVALS	DATE
(UNLESS OTHERWISE SPECIFIED)		SIZE A4		DRAWN BY: Kelly	2021/01/26
		SHEET 1 of 1		CHK'D BY: Eileen	2021/01/26
				APP'D BY: Eileen	2021/01/26