

Specifications

Material

Insulator: PBT, UL 94V-0, Gray
 Contact: Phosphor Bronze, Ø=0.46mm

Plating

See Ordering Grid

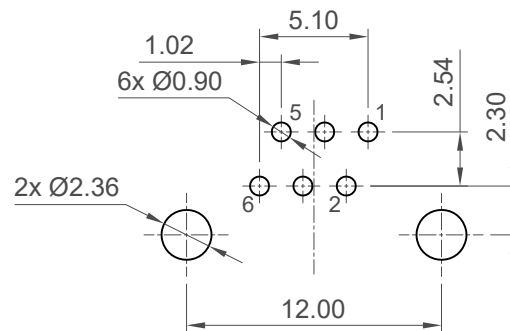
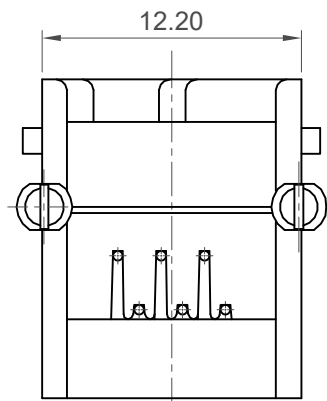
Electrical

Current Rating : 1.5 Amp
 Current Voltage : 125V AC RMS
 Contact Resistance : 35 mΩ max.
 Insulation Resistance: 1000 MΩ min. @500V DC
 Dielectric Withstand Voltage :
 1000V AC/DC Peak Between Terminal to Terminal

Mechanical & Environmental

Storage Temperature : -10°C to +40°C,
 Relative Humidity <80%
 Operation Temperature : -40°C to +85°C
 Operating Life : 750 Cycles Min.
 Mating/Unmating Force: 22N Max.
 Retention Strength: 57.83N Min.

Wave Soldering Temperature: 245°C ± 5°C, 5s



Recommended PCB Layout
 Tolerance : ±0.05mm
 Thickness: 1.60mm

Ordering Grid

MJ3245 = 66 = 0 Request Samples and Quotation
 No. of Positions/
 Positions Loaded
 66 = 6/6
 Contact Plating
 0 = Gold Flash

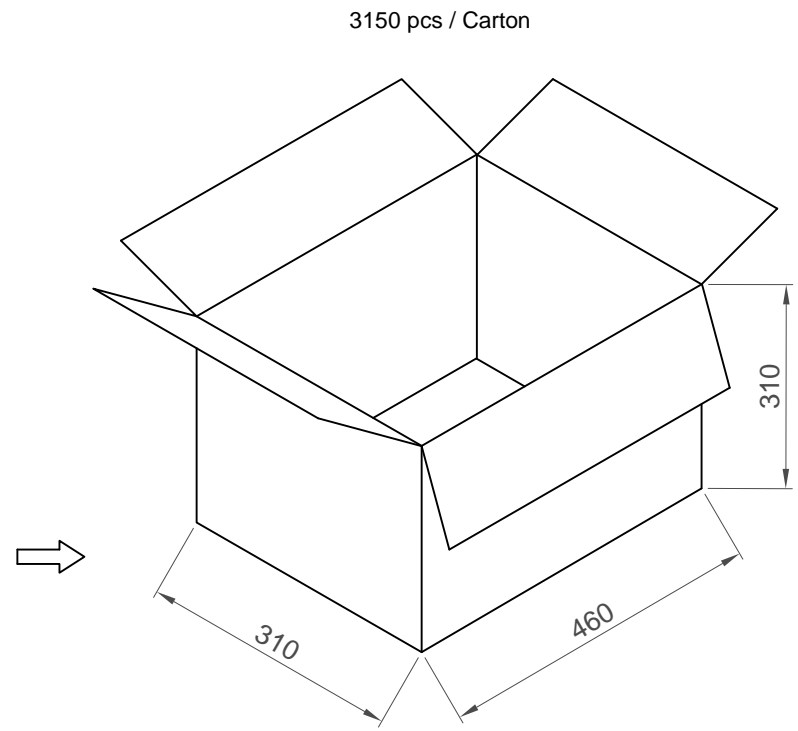
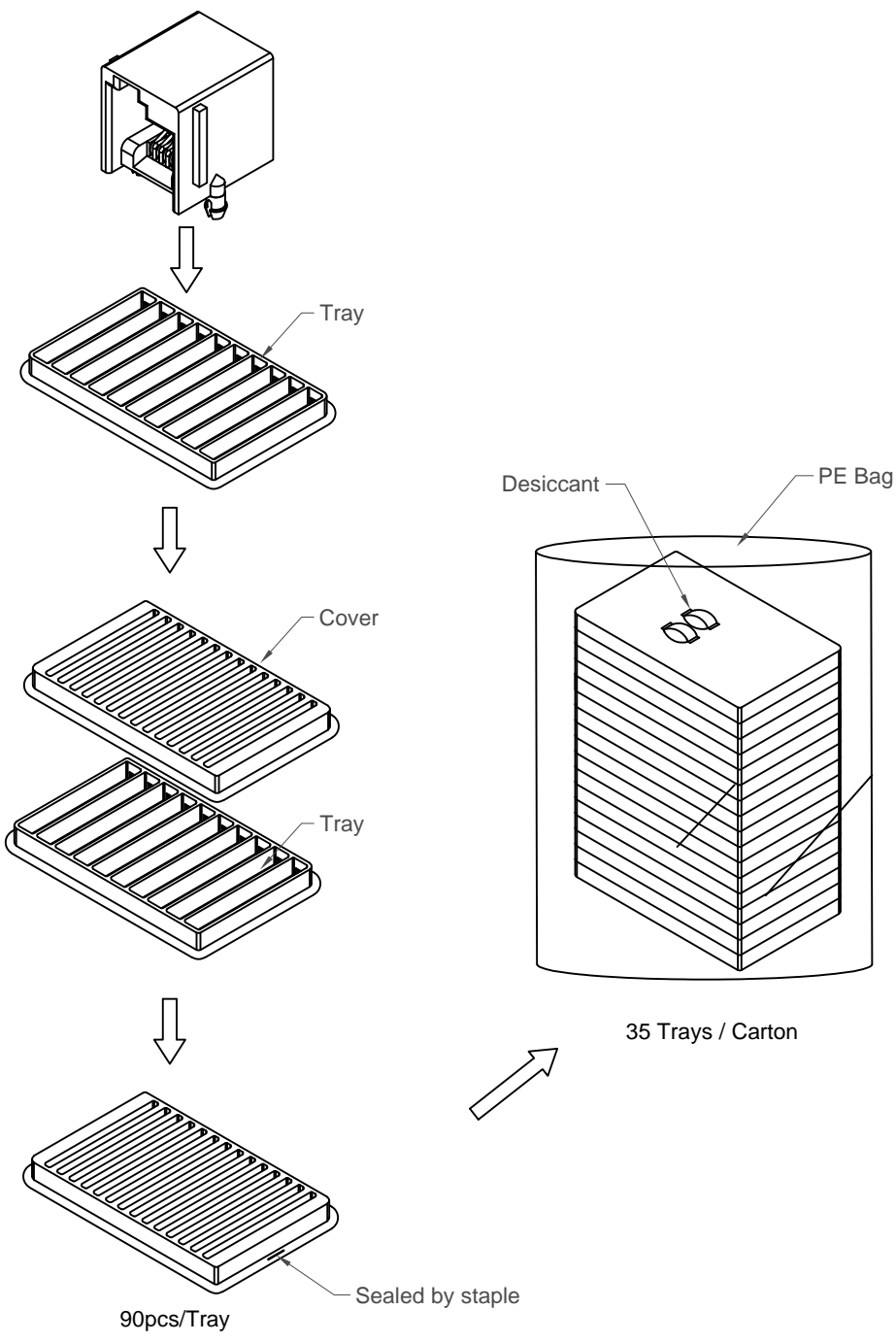
Part Number		Product Description	
MJ3245-66		Modular Jack Connector, 6 Position, Right Angle, Through Hole, Offset Latch	
Drawing Date		2nd April 2021	
By	CC	Tolerances (Except as Noted)	Units:
Detail	Drawing Release	Length X.XX ± 0.15 X.X ± 0.20	Metric (mm)
Revision	A	Angle ± 0.5°	
Date	02/04/21		



This drawing is confidential and copyright of Global Connector Technology, Ltd (GCT). This drawing must not be copied or disclosed without written consent. E & OE



Not to Scale	Drawn By CC	Sheet No. 1/2
--------------	----------------	------------------



Pcs/Tray	Trays/Carton	Total Quantity
90	35	3150 pcs

Part Number		Product Description	
MJ3245-66		Modular Jack Connector, 6 Position, Right Angle, Through Hole, Offset Latch	
Drawing Date		2nd April 2021	
By	CC	Tolerances (Except as Noted)	Units:
Detail	Drawing Release	Length	Metric (mm)
Revision	A	X.XX ± 0.15	
Date	02/04/21	X.X ± 0.20	
		± 0.5°	

This drawing is confidential and copyright of Global Connector Technology, Ltd (GCT). This drawing must not be copied or disclosed without written consent. E & OE

GCT
www.gct.co

Not to Scale Drawn By CC Sheet No. 2/2