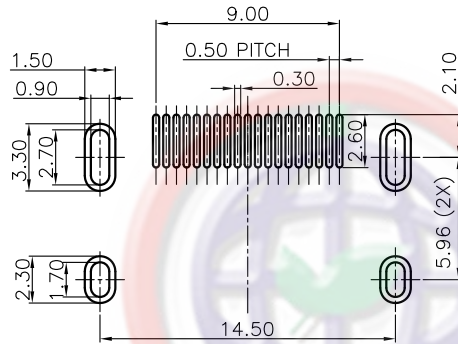
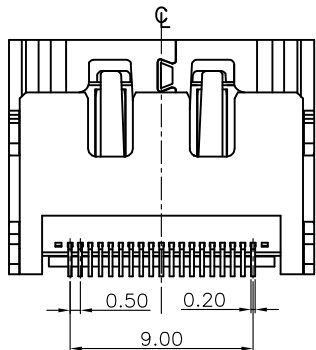
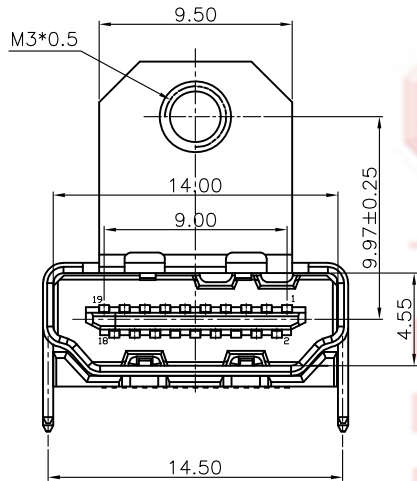
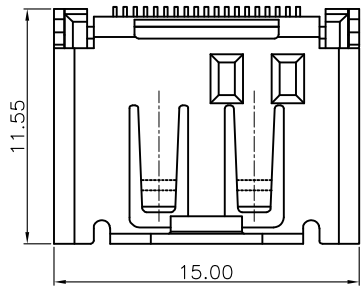
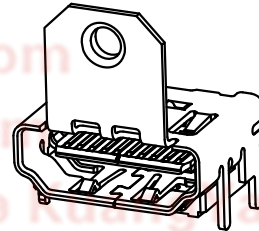
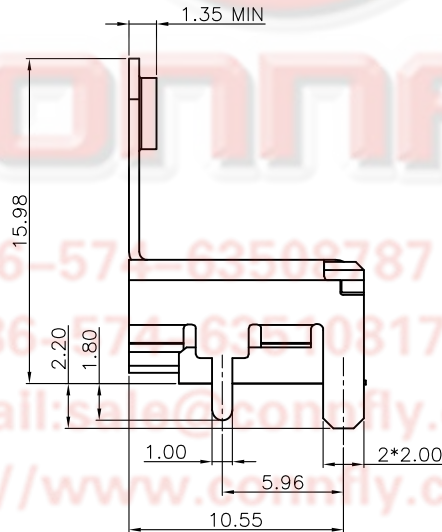


Dept	
Qty	
DC	1
ED	1
IE	1
ISO	1
PD	1
R&D	1
SD	1
QA	1
QC	1
QE	1

The information provided herein is from CONNFLY Electronic Co., Ltd. and is confidential. Any disclosure to a party other than the recipient is prohibited. The intellectual properties and its rights contained herein, including but not limited to, trademarks, patents, copyrights, trade secrets, and technical know-how, are owned exclusively by CONNFLY or its affiliates. Unauthorized use or modification is strictly prohibited. CONNFLY may enforce its intellectual property rights at its own discretion; failures or delays to exercise such rights does not constitute a waiver of such rights.



RECOMMEND P.C.B LAYORT
(Tolerance±0.05)



REV.	DESCRIPTION	DRAWN	CHECKED	APPROVED
A	NEW RELEASE	HP 18/07/05		LJC 18/07/05
B	DRAWING UPDATE	JLZ 12/13/18'		

NOTES:

1. MATERIALS

- . Insulator: thermoplastic,UL 94V-0 Rated
- . Contacts: Copper Alloy
- . Shell: Copper Alloy

2. SPECIFICATION

- . Contact resistance: 50mΩ max.
- . Insulation resistance: 100MΩ min.
- . Dielectric withstanding voltage: 100 VAC 1 minute.
- . Temperature range: -20°C to +85°C.

3. PRODUCT NUMBER CODE:

DS1115 - X X X

- Contact plating
- 0: selective gold flash
- C: selective 3u" gold
- 1: selective 10u" gold

- Shell plating
- 6: Tin
- N: Nickel

- Color of housing
- B: Black

GENERAL TOLERANCE		ANGLE TOLERANCE		PROJECTION		TITLE	HDMI Female 19PIN SMT WITH FLANGE	
X.	±0.60	X.	±5°	UNITS	mm			
.X	±0.38	.X	±3°	SHEET SIZE	A4	SERIES	DS1115 SERIES	
.XX	±0.25	.XX	±2°	晨翔电子有限公司 CONNFLY CONNFLY ELECTRONIC CO. LTD				
DRAWING TYPE		CUSTOMER						
SCALE		1:1 SHEET 1 OF 1						
DRAWING NO.		C-DS1115-XXX-B						