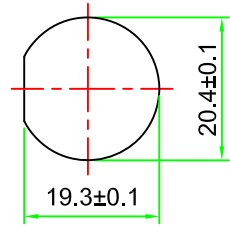


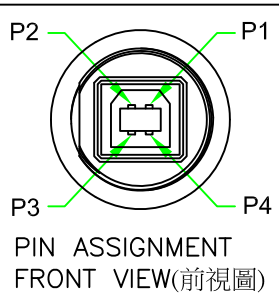
| REV. | DESCRIPTION | DATE        |
|------|-------------|-------------|
| A    | ISSUE       | Nov/15/2019 |
|      |             |             |
|      |             |             |



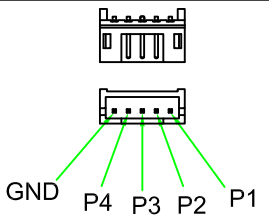
RECOMMENDED  
PANEL CUT OUT

RoHS

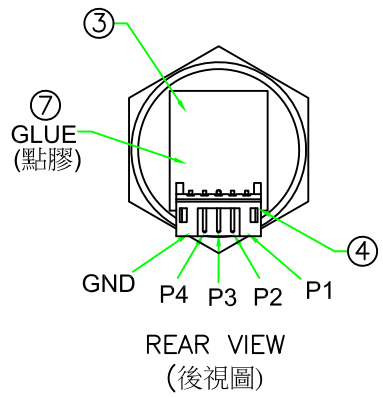
IP66~68



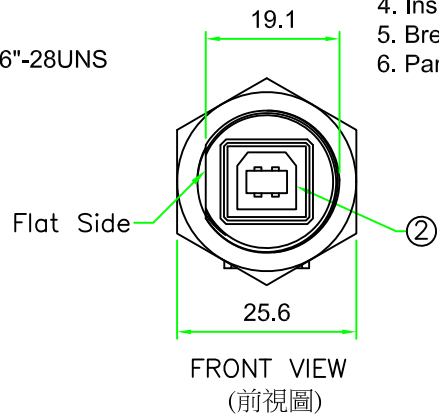
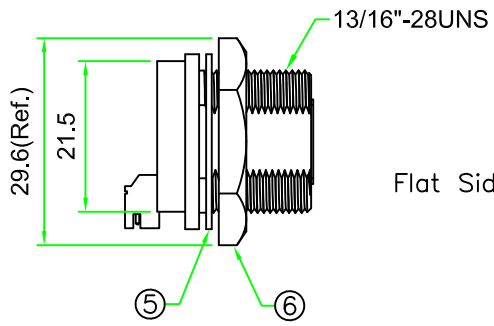
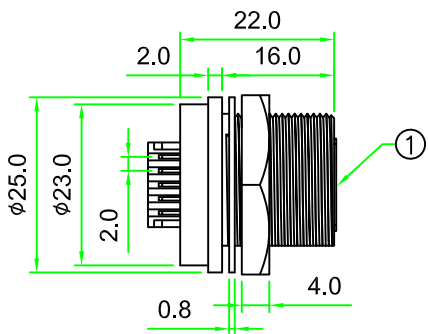
PIN ASSIGNMENT  
FRONT VIEW(前視圖)



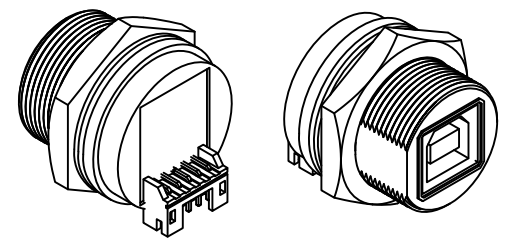
PIN ASSIGNMENT  
REAR VIEW(後視圖)



REAR VIEW  
(後視圖)



FRONT VIEW  
(前視圖)



NOTES:

1. Current Rating: 1A
2. Connector Temperature Range: -25°C to 85°C
3. Contact Resistance: ≤30mΩ
4. Insulation Resistance: ≥100MΩ
5. Breakdown Voltage: ≥AC 500V/1 Minute
6. Panel Thickness Max. 4.0 mm

| 7   | GLUE      | EPOXY.  | BLACK |      |         |
|-----|-----------|---|-------|------|---------|
| 6   | HEX NUT   | NYLON+GF.   | BLACK | 1    |         |
| 5   | GASKET    | EPDM.   | BLACK | 1    |         |
| 4   | WAFER     | PITCH 2.0mm, Right Angle. 5P*1ROW.                      |       | 1    |         |
| 3   | PCB       | FR4 . Double Side, 1.0mm Thickness.                     |       | 1    |         |
| 2   | CONNECTOR | USB B Type Female Connector.                            |       | 1    |         |
| 1   | BODY      | USB B Type Lock Type Female Connector Insert. NYLON+GF. | BLACK | 1    |         |
| No. | PART NAME | DESCRIPTION   | COLOR | Q'TY | REMARKS |

**HOLIN®** HTP ASIA TECHNOLOGY CO., LTD.  
禾凌科技股份有限公司

UNIT: mm TITLE: USB 2.0 B Type Female C Size Screw Type Circular Flange Panel 5 Pin Right Angle Wafer

SCALE 1:1

P/N: USB2BC-P3C04 DR. SIBYL  
CH. JAMES

UNLESS OTHERWISE SPECIFIED TOLERANCES:  
.X ± 0.25 .XX ± 0.1  
.XXX ± 0.05 ANGLE ± 1°

REV. A SHEET 1/1 DWG.NO: USB2BC-P3C04 AP.