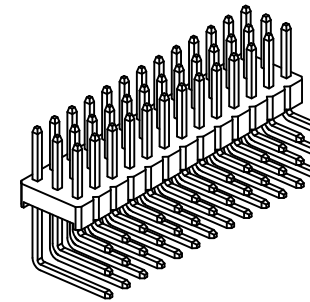


Recommended PCB Layout



Number of Contacts	Dimensions	
	A	B
6	2.54	5.08
9	5.08	7.62
12	7.62	10.16
15	10.16	12.70
18	12.70	15.24
21	15.24	17.78
24	17.78	20.32
27	20.32	22.86
30	22.86	25.40
33	25.40	27.94
36	27.94	30.48
39	30.48	33.02
42	33.02	35.56
45	35.56	38.10
48	38.10	40.64
51	40.64	43.18
54	43.18	45.72
57	45.72	48.26
60	48.26	50.80
63	50.80	53.34
66	53.34	55.88
69	55.88	58.42
72	58.42	60.96
75	60.96	63.50
78	63.50	66.04
81	66.04	68.58
84	68.58	71.12
87	71.12	73.66
90	73.66	76.20
93	76.20	78.74
96	78.74	81.28
99	81.28	83.82
102	83.82	86.36
105	86.36	88.90
108	88.90	91.44
111	91.44	93.98
114	93.98	96.52
117	96.52	99.06
120	99.06	101.60

Specifications

Insulator:  
 Standard: Polyamide, Nylon 6T, UL94V-0  
 Options: Polymer, LCP, UL94V-0  
 Polyester, PBT, UL94V-0  
 Contact: Copper Alloy

Plating

Contact: See Ordering Grid

Electrical

Current Rating: 3 Amp per pin  
 Contact Resistance: 20 mΩ max.  
 Insulation Resistance: 1000 MΩ min.  
 Dielectric Withstand Voltage: 600 V AC

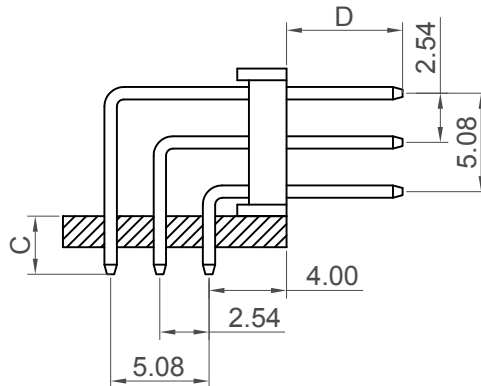
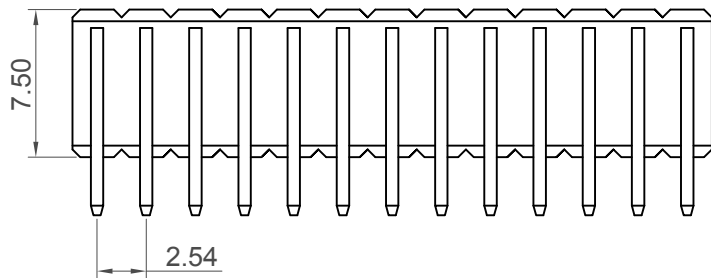
Mechanical & Environmental

Operating Temperature: -40°C to +105°C

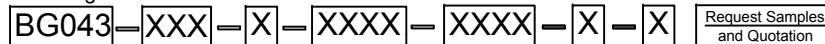
Soldering Process

Nylon 6T (Standard)  
 IR Reflow: 260°C for 10 sec.  
 Wave: 230°C for 5-10 sec.  
 Manual Solder: 350°C for 3-5sec  
 LCP (Option)  
 IR Reflow: 260°C for 10 sec.  
 Wave: 250°C for 5-10 sec  
 Manual Solder: 350°C for 3-5 sec  
 PBT (Option)  
 Manual Solder: 330°C for 3-5sec  
 (Not suitable for hi-temp process)

Mates with (Subject to Pin Length)  
 BG153 BG161



Ordering Grid



No. of Contacts  
 06 to 120

Contact Plating

**A = Gold Flash All Over (Standard)**  
 B = Selective Gold Flash Contact Area/Tin On Tail  
 C = Tin All Over  
 G = 10µ" Gold Contact Area/Tin On Tail  
 I = 30µ" Gold Contact Area/Tin On Tail

Packing Options

**G = Plastic Box (Standard)**  
 D = Tube  
 E = Tube with Cap

Insulator Material

**N = Nylon 6T (Standard)**  
 P = PBT  
 L = LCP

Dimension D (1/100mm) (Post Length)

**0600 = 6.00mm (Standard)**

Or specify Dimension D  
 eg. 0250 = 2.50mm  
 (Maximum 1200 = 12.00mm)  
 (Minimum 0100 = 1.00mm)

Dimension C (1/100mm) (PCB Top Edge to End of Pin)

**0300 = 3.00mm (Standard)**

Or specify Dimension C  
 eg. 0250 = 2.50mm  
 (Maximum 0500 = 5.00mm)  
 (Minimum 0100 = 1.00mm)

Part Number		Product Description	
BG043		2.54mm Pitch Pin Header, Triple Row, Through Hole, Horizontal	
Drawing Date		2nd April 2007	
By	CC	Tolerances (Except as Noted)	Units:
Detail	BG043 B PCN	Length X. ± 0.30 X.X ± 0.20 X.XX ± 0.15 X.XXX ± 0.10	Angle X° ± 5° X.X° ± 2° X.XX° ± 1° X.XXX° ± 0.5°
Revision	B1		Metric (mm)
Date	10/10/17		3rd Angle Projection



This drawing is confidential and copyright of Global Connector Technology, Ltd (GCT). This drawing must not be copied or disclosed without written consent. E & OE



Not to Scale	Drawn By BC	Sheet No. 1/1
--------------	-------------	---------------