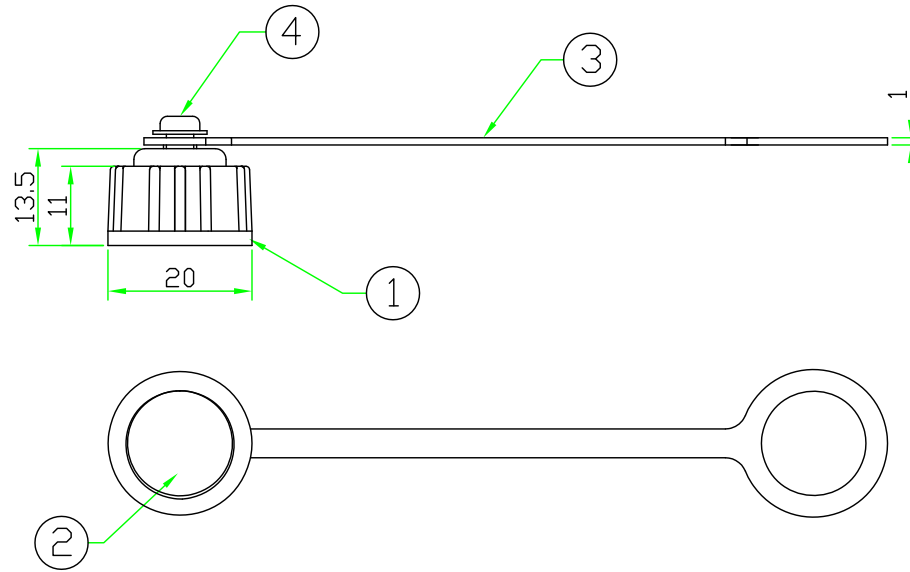
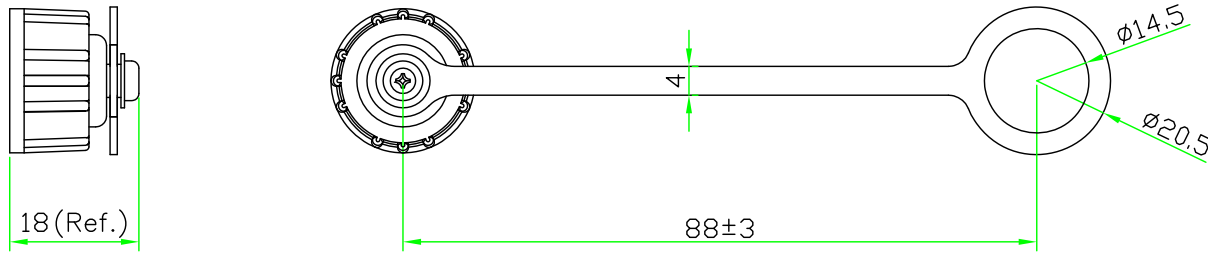


PROPRIETARY AND CONFIDENTIAL  
 THE INFORMATION CONTAINED IN THIS DRAWING IS THE SOLE PROPERTY OF HTP ASIA TECHNOLOGY CO., LTD. .  
 ANY REPRODUCTION IN PART OR AS A WHOLE WITHOUT THE WRITTEN PERMISSION OF HTP ASIA TECHNOLOGY CO., LTD. IS PROHIBITED.

REV	DESCRIPTION	DATE
A	ISSUE	Jun/26/2015

RoHS



NOTE:  
 Panel Thickness Max:2.0mm  
 (適用面板最大厚度)

**HOLIN®** HTP ASIA TECHNOLOGY CO., LTD.  
 禾凌科技股份有限公司

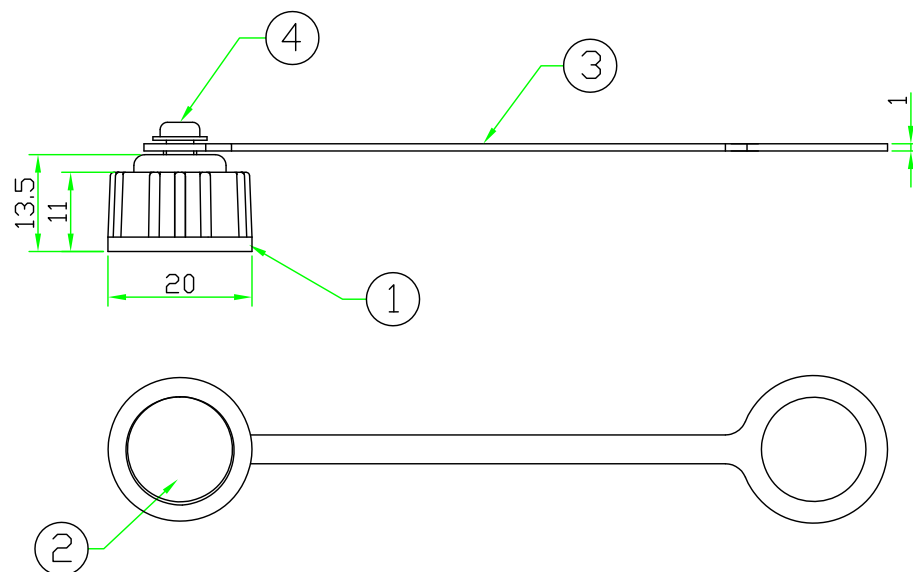
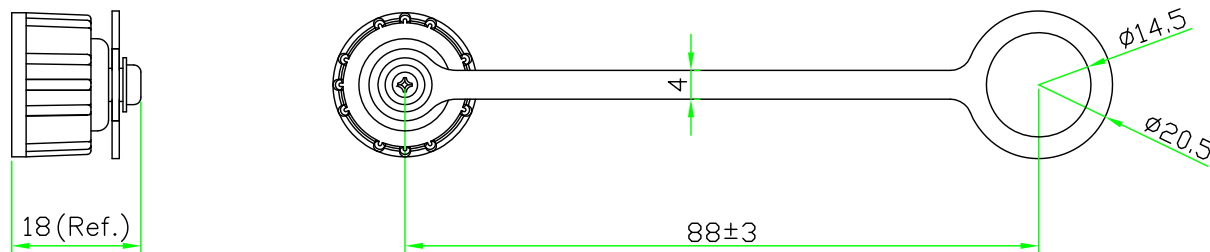
UNIT: mm	TITLE :	Waterproof Cap Screw Type With Plastic Chain For B Size Panel Connector	
SCALE 1:1	P/N:	CBL-WCAP-MB	DR. Patty
UNLESS OTHERWISE SPECIFIED TOLERANCES: .x ± 0.5 .xx ± 0.25 .xxx ± 0.1 ANGLE ± 1°	DWG.NO:	CBL-WCAP-MB	CH. ERIC
REV. A	SHEET 1/1		AP.

No.	PART NAME	DESCRIPTION	COLOR	Q'TY	REMARKS
4	SCREW	Stainless stell.	BLACK	1	
3	CHAIN	Rubber.	BLACK	1	
2	GASKET	NBR.	BLACK	1	
1	SCREW CAP	NYLON+GF.	BLACK	1	

PROPRIETARY AND CONFIDENTIAL  
 THE INFORMATION CONTAINED IN THIS DRAWING IS THE SOLE PROPERTY OF HTP ASIA TECHNOLOGY CO., LTD. .  
 ANY REPRODUCTION IN PART OR AS A WHOLE WITHOUT THE WRITTEN PERMISSION OF HTP ASIA TECHNOLOGY CO., LTD. IS PROHIBITED.

REV	DESCRIPTION	DATE
A	ISSUE	Jun/26/2015

RoHS



NOTE:  
 Panel Thickness Max:3.0mm  
 (適用面板最大厚度)

**HOLIN®** HTP ASIA TECHNOLOGY CO., LTD.  
 禾凌科技股份有限公司

UNIT: mm	TITLE :	Waterproof Cap Screw Type With Plastic Chain For B Size Panel Connector	
SCALE 1:1	P/N:	CBP-WCAP-MB	DR. Patty
UNLESS OTHERWISE SPECIFIED TOLERANCES: .x ± 0.5 .xx ± 0.25 .xxx ± 0.1 ANGLE ± 1°	DWG.NO:	CBP-WCAP-MB	CH. ERIC
REV. A	SHEET 1/1	AP.	

No.	PART NAME	DESCRIPTION	COLOR	Q'TY	REMARKS
4	SCREW	Stainless stell.	BLACK	1	
3	CHAIN	Rubber.	BLACK	1	
2	GASKET	NBR.	BLACK	2	
1	SCREW CAP	NYLON+GF.	BLACK	1	