

SIGN	DATE	DESCRIPTION	APPROVER
△	11/09'11	Add is cillus	Aaron
△	11/09'11	The Dim C is added	Aaron
△	01/21-16	Update the drawing & Add the 2P view	Evan

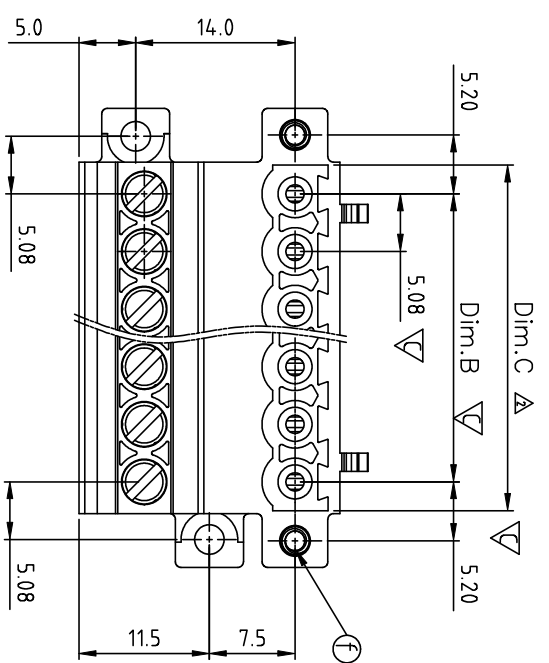
THIS IS CAD DRAWING, DO NOT REVISE MANUALLY!!!

△ V9 XX 5 1 X 1 XXXX G

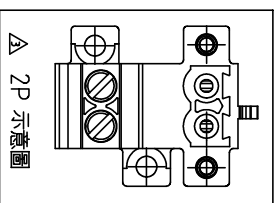
No. OF POLES
 02: 2 POLES
 03: 3 POLES

△ G: RoHS compliant (Lead<4%)
 In copper Alloy

- COLOR
- 0 Black (RAL9005)
 - 2 Red (RAL3001/D)
 - 3 Orange(RAL2011/P)
 - 4 Yellow(RAL1018/A)
 - 5 Green(RAL6018/T)
 - 6 Blue (RAL5015/A)
 - 8 Grey(RAL7035/D)
 - 9 White(RAL1102)
 - C Green(RAL6018/U)
- 0000: "△" Logo (Standard)
 000A: "ANYTEK" Mark
 Any special item by customer request.



3P-24P 卡勾位置示意图



△ Material:

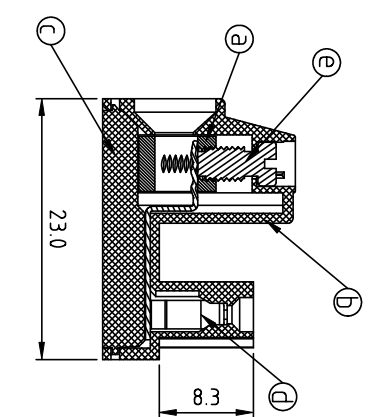
- Item @ Clamp: Brass Ni plated
- Item Ⓣ Terminal (housing): Thermoplastic (UL94V-0)
- Item Ⓞ Terminal (Cover): Thermoplastic (UL94V-0)
- Item Ⓜ Male contact: PhBz/Bright Tin plated over Nickel plated
- Item Ⓢ Terminal screw: Steel Zinc plating " - " slot type
- Item Ⓠ With flange nut: Brass M2.5

Electrical:

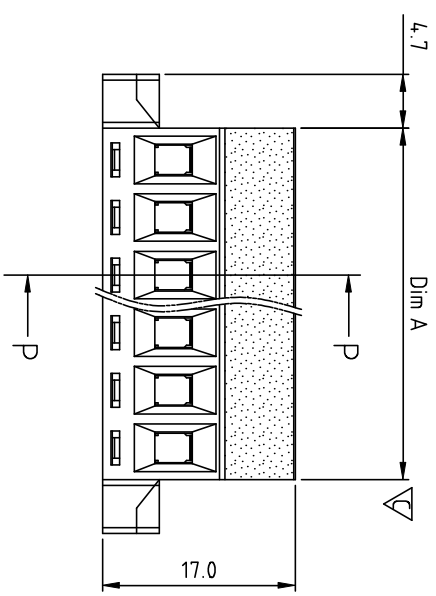
- Voltage rating: 300V
- Current rating: 12A
- Wire range:
- Solid wire(AWG):12-30
- Stranded wire(AWG):12-30
- Torque: 5.2 Lb-In.
- Screw: M3
- Wire strip length:6-7 mm
- Withstanding Voltage:1.6KV
- Operating temperature:-40°C to +115°C
- Safety Approval: **UL**us
- Critical dimension: △

N=Number of poles

Dimension	Poles	Tolerance
Dim.A (N-1) × 5.08+5.6	2P - 6P	±0.15
Dim.B (N-1) × 5.08	7P - 12P	±0.20
Dim.C N × 5.08	13P - 18P	±0.30
	19P - 24P	±0.40



SECTION P-P



ANYTEK

CUSTOMER COPY

ALL RIGHTS RESERVED. REPRODUCTION OR ISSUE TO THIRD PARTIES IN ANY FORM WHATSOEVER IS NOT PERMITTED WITHOUT WRITTEN AUTHORITY FROM THE PROPRIETOR. PROPERTY OF ANYTEK TECHNOLOGY CO., LTD.

TITLE		V9-5.08 mm Series 2P-24P With Flange (Bottom cover fixed type)		DWG NO.		8V90005	
PART NO.		V9xx51x1xxxxG		CUST. NO.			
CHECKED		DESIGNED		DRAWN		Tolerance	
Evan		Tony		Tony		X.X ±0.50 X.XX ±0.30 X.XXX ±0.10 X° ±1°	
02/15-16		2008.01.19		SHEET: 01/01		REV: D	