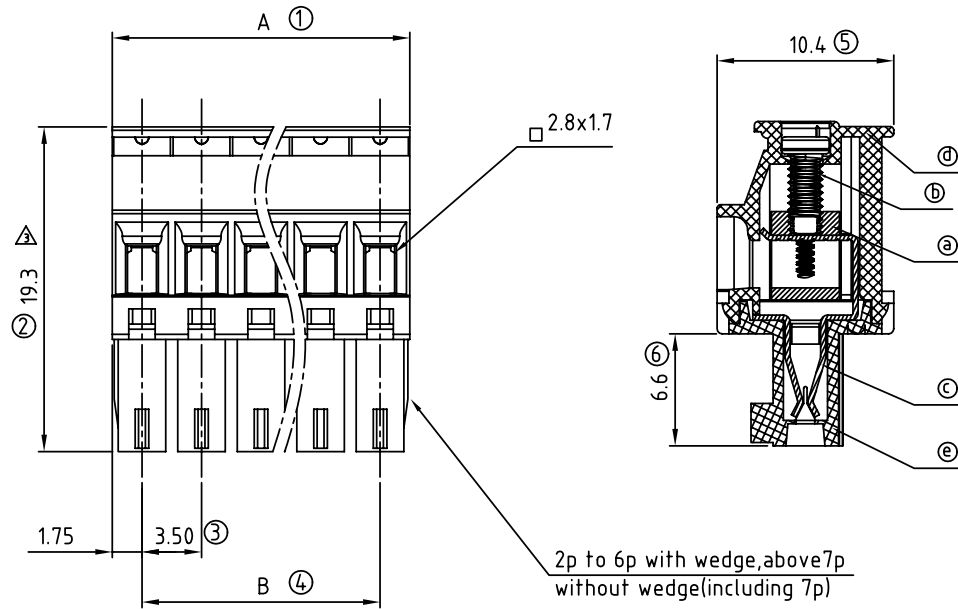
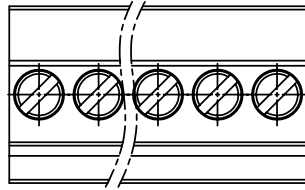


SIGN	DATE	DESCRIPTION	APPROVER
△	8/07'06	Added VDE standard	梁仁松
△	2008.12.02	The temperature changed from -30°C,+105°C to -40°C,+115°C	Jacke
△	2008.12.02	The dimension design changed from 19.1mm to 19.3mm	Jacke
THIS IS CAD DRAWING, DO NOT REVISE MANUALLY!!!			



N = Number of contacts

DIMENSION	
A	NX3.5
B	(N-1)X3.5

Poles	Tolerance
2P-8P	±0.10
9P-16P	±0.20
17P-24P	±0.30

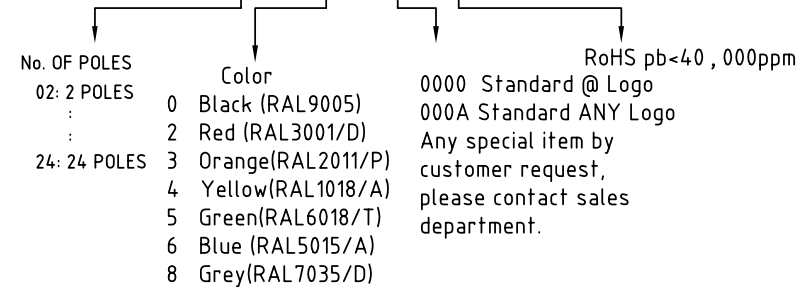
### Material

- Item① Terminal body(metal housing): Brass(CuZn),Nickel plated
- Item② Terminal screw: Steel Zinc plating "-" slot type
- Item③ Wire guard: PhBz, Tin plated
- Item④ Insulator (housing): Thermoplastic (UL94V-0)
- Item⑤ Insulator (cover): Thermoplastic (UL94V-0)

### Electrical cULus/VDE

- Voltage rating: 300VAC/300VAC
- Current rating: 8A/10A
- Wire range: 1.5mm
- Solid wire(AWG): 16-28
- Stranded wire(AWG): 16-28
- Torque: 1.7Lb-In./0.2Nm
- Screw: M2
- Wire strip length: 6-7mm
- Withstanding Voltage: 1.6KV/2.5KV
- △ ● Operating temperature: -40°C to +115°C
- △ ● Safety approval: us

TS xx 1 1 x A xxxx G



# ANYTEK

## CUSTOMER COPY

ALL RIGHTS RESERVED. REPRODUCTION OR ISSUE TO THIRD PARTIES IN ANY FORM WHATSOEVER IS NOT PERMITTED WITHOUT WRITTEN AUTHORITY FROM THE PROPRIETOR. PROPERTY OF ANYTEK TECHNOLOGY CO., LTD

TITLE				TS-3.5mm Series Without flange (W/latching hooks on the wire entry side)			
PART NO.		TSxx11xAxxxxG		DWG NO.		8TS0201	
APPROVED	CHECKED	DESIGNED	DRAWN	CUST NO.		Tolerance	
		Jacke	Jacke				
		2008.12.10	2008.12.10				
						UNIT: mm	
						SCALE: NONE	
				SHEET: 01/01		REV.: F	
						X.	±0.50
						X.X	±0.30
						X.XX	±0.10
						X°	±1°