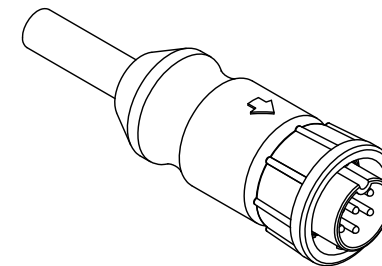
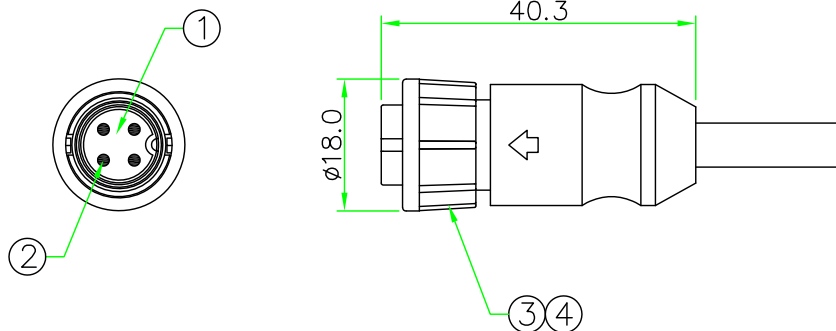


RoHS

IP66-68

REV.	DESCRIPTION	DATE
A	ISSUE	May/22/2015

Ref.

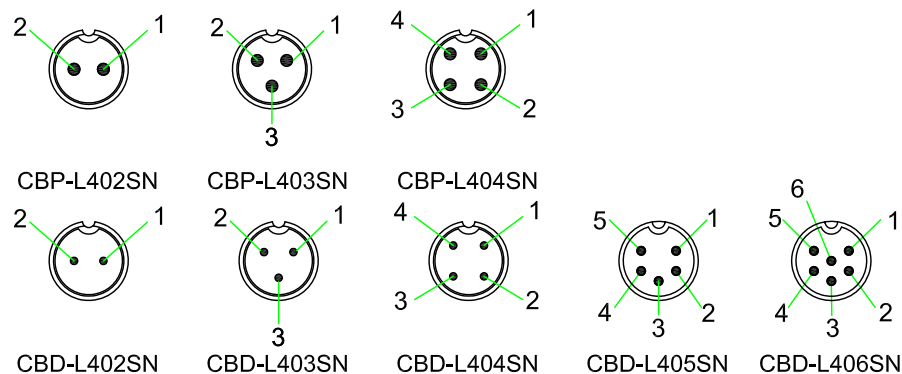


NOTES:

- ELECTRICAL CHARACTERISTICS:
 CURRENT RATING: 5A / 10A
 CONNECTOR TEMPERATURE RANGE: -20°C TO +80°C
 DIELECTRIC WITHSTANDING VOLTAGE:
 500V AC FOR ONE MINUTE
- HOW TO ORDER: CB_x-L4_{xx}SN

- 02 - 2 PIN
- 03 - 3 PIN
- 04 - 4 PIN
- 05 - 5 PIN
- 06 - 6 PIN

P - CURRENT RATING 10A
 D - CURRENT RATING 5A



PIN ASSIGNMENT FRONT VIEW
 (前視圖)

4	LOCK NUT	NYLON+GF.	BLACK	1	
3	O-RING	VITON	BLACK	1	
2	CONTACT	Brass ,Male Pin. 6u" Gold Plated.		N	
1	CONNECTOR	B Size Female Connector Insert, NYLON+GF.	BLACK	1	
No.	PART NAME	DESCRIPTION	COLOR	Q'TY	REMARKS

HOLIN® HTP ASIA TECHNOLOGY CO., LTD. 禾凌科技股份有限公司		TITLE :	Circular B Size Lock Type Female Connector Male Pin Field Installable Plug	
UNIT: mm	SCALE	1:1	P/N:	CB _x -L4 _{xx} SN
UNLESS OTHERWISE SPECIFIED TOLERANCES:		.x ± 0.5	.xx ± 0.25	DR. Patty
		.xxx ± 0.1	ANGLE ± 1°	CH. ERIC
REV.	SHEET	DWG.NO:	CB _x -L4 _{xx} SN	AP.
A	1/1			