

**Specifications**

**Material**

Insulator: LCP, UL 94V-0, Black  
 Contact: Copper Alloy (C1814), T=0.12mm  
 Mid Plate: Stainless Steel (SUS301), T=0.15mm  
 Shell: Stainless Steel (SUS304), T=0.30mm

**Plating**

**Contact**  
 Contact Area: 3u" Au over 50µ" min. Nickel  
 Solder Tails: Gold Flash over 50µ" min. Nickel  
**Shell:** 30µ" min. Nickel  
 Mid Plate: Cleaning

**Electrical**

Current Rating: 5.00A collectively for Vbus pins  
 6.25A collectively for GND pins  
 1.25A for B5 pin  
 0.25A per pin for all other pins

Voltage Rating: 20V DC  
 Contact Resistance: 40mΩ max initial.  
 50mΩ max after test  
 Dielectric Withstanding Voltage: 100V AC  
 Insulation Resistance 100MΩ min

**Mechanical & Environmental**

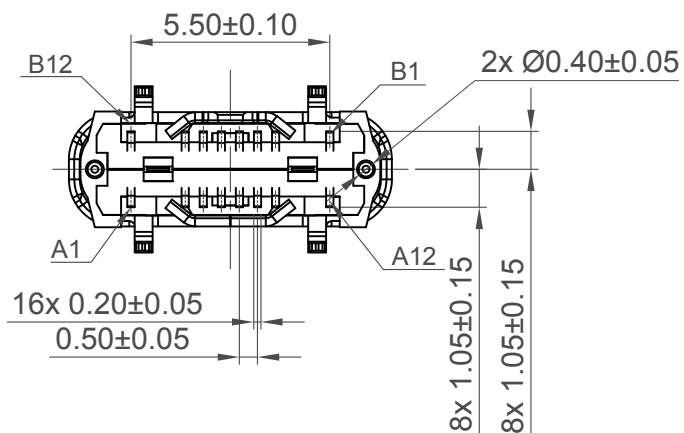
Operating Temperature: -25°C to +85°C  
 Mating Force: 5 to 20 N.  
 Unmated Force: 6 to 20 N after test  
 Durability: 10,000 cycles

**Ordering Grid**

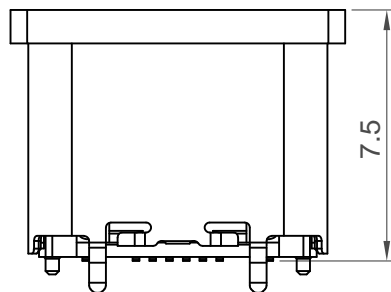
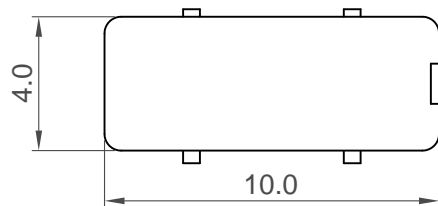
USB4120 - 
 03 - 
 C
Request Samples and Quotation

**Contact Plating**  
 03 = 3u" Gold

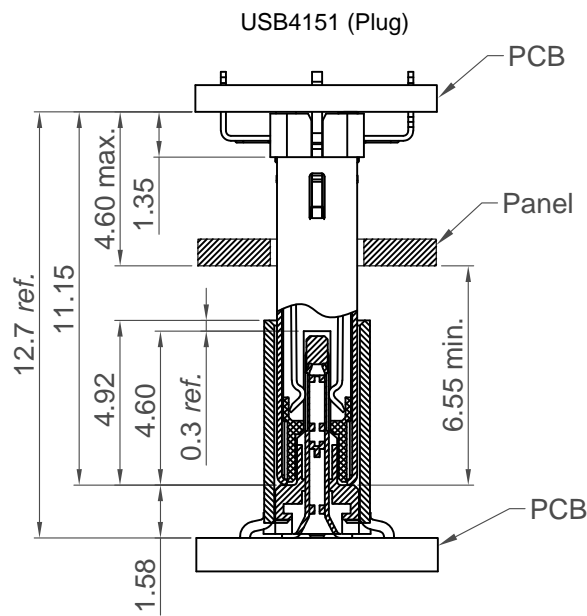
**Packing Options**  
 C = Tape & Reel with Cap (600 per reel)



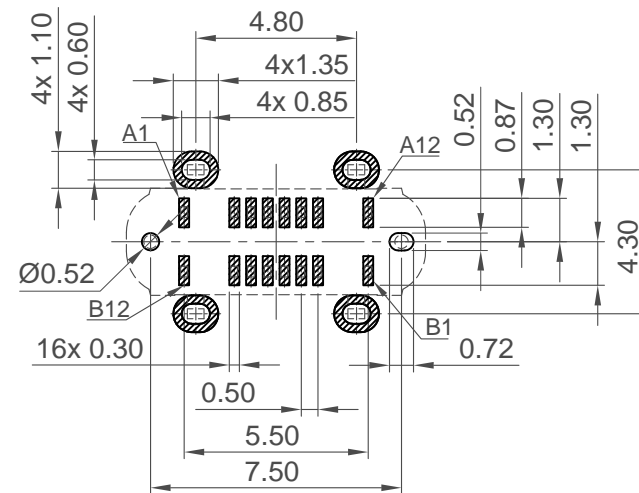
Part Number		Product Description		 <a href="http://www.gct.co">www.gct.co</a>			
USB4120		USB 2.0 Type C Receptacle, 16contacts, Vertical, SMT, H=6.5mm					
Drawing Date		28th September 2020					
By	CC	Tolerances (Except as Noted)	Units:	  <small>This drawing is confidential and copyright of Global Connector Technology, Ltd (GCT). This drawing must not be copied or disclosed without written consent. E &amp; OE</small>			
Detail	Drawing Release	Length	Metric (mm)				
Revision	A1	X.X ± 0.30					
Date	27/11/20	X.XX ± 0.25					
		X.XXX ± 0.10		<table border="1" style="width: 100%; border-collapse: collapse;"> <tr> <td style="width: 33%;">Not to Scale</td> <td style="width: 33%;">Drawn By CC</td> <td style="width: 33%;">Sheet No. 1/3</td> </tr> </table>	Not to Scale	Drawn By CC	Sheet No. 1/3
Not to Scale	Drawn By CC	Sheet No. 1/3					



Cap Information



USB4120 (Receptacle)  
Plug and Receptacle Mating View



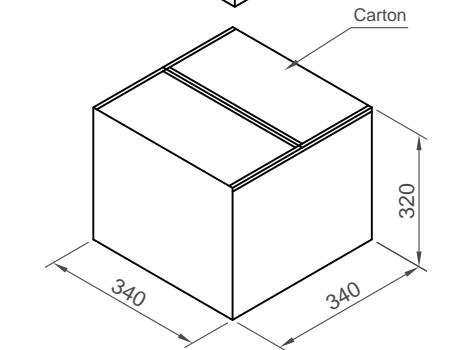
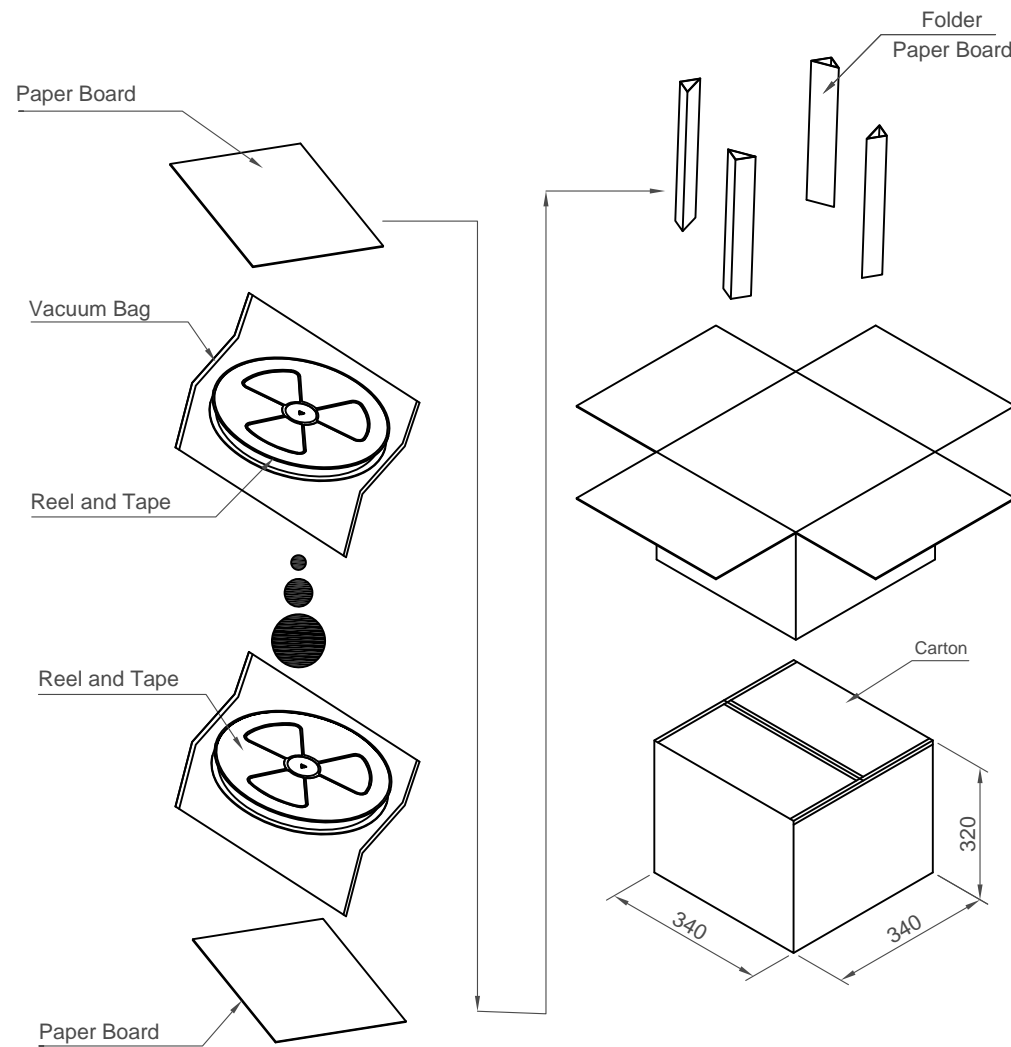
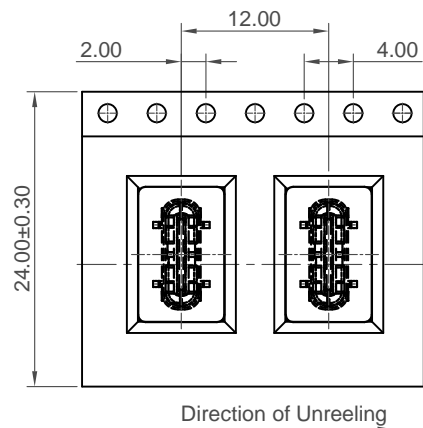
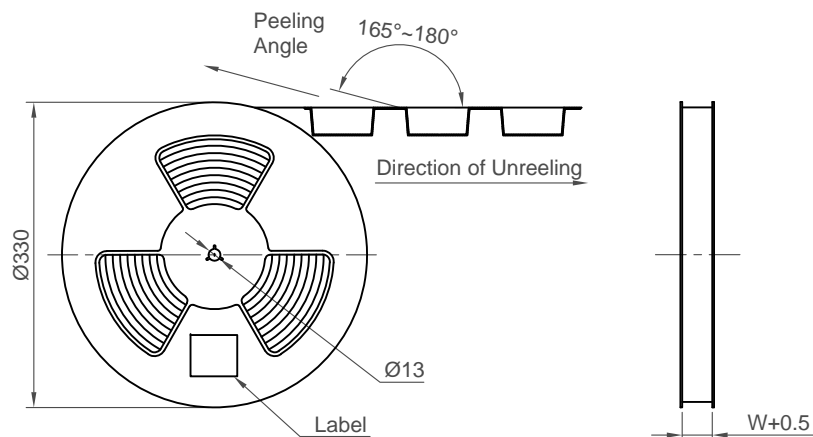
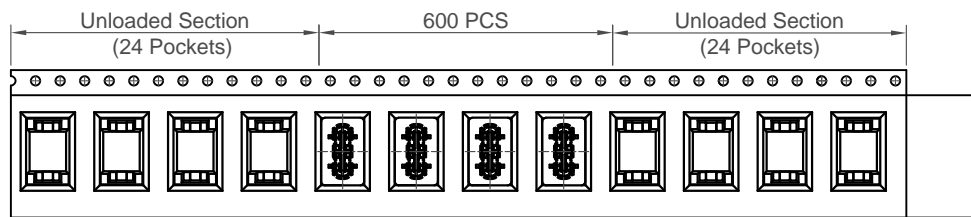
Recommended PCB Layout  
Thickness 1.00±0.10mm  
Tolerance: ±0.05mm

▨ Solder Area □ Component Outline

Pin	Signal	Mating Sequence	Pin	Signal	Mating Sequence
A1	GND	First	B12	GND	First
A4	Vbus	First	B9	Vbus	First
A5	CC1	Second	B8	SBU2	Second
A6	Dp1	Second	B7	Dn2	Second
A7	Dn1	Second	B6	Dp2	Second
A8	SBU1	Second	B5	CC2	Second
A9	Vbus	First	B4	Vbus	First
A12	GND	First	B1	GND	First
SHELL		GND	SHELL		GND

Part Number		Product Description			
USB4120		USB 2.0 Type C Receptacle, 16contacts, Vertical, SMT, H=6.5mm			
Drawing Date		28th September 2020			
By	CC	Tolerances (Except as Noted)	Units:	  This drawing is confidential and copyright of Global Connector Technology, Ltd (GCT). This drawing must not be copied or disclosed without written consent. E & OE	
Detail	Drawing Release	Length	Angle		
Revision	A1	X.X ± 0.30	-		
Date	27/11/20	X.XX ± 0.25	X.XXX ± 0.10		





Pcs / Reel	Reels / Carton	Total Quantity
600	10	6,000 pcs

Part Number		Product Description	
USB4120		USB 2.0 Type C Receptacle, 16contacts, Vertical, SMT, H=6.5mm	
Drawing Date		28th September 2020	
By	CC	Tolerances (Except as Noted)	Units:
Detail	Drawing Release	Length	Metric (mm)
Revision	A1	X.X ± 0.30	
Date	27/11/20	X.XX ± 0.25	
		X.XXX ± 0.10	

This drawing is confidential and copyright of Global Connector Technology, Ltd (GCT). This drawing must not be copied or disclosed without written consent. E & OE



Not to Scale	Drawn By CC	Sheet No. 3/3
--------------	-------------	---------------