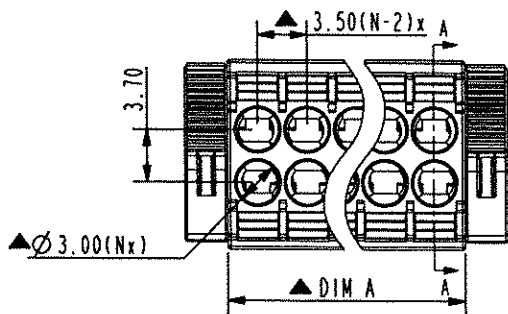


ROHS Compliant

DimA=(N/2-1)\*3.5+4.3  
 DimB=(N/2-1)\*3.5+10.3  
 DimC=(N/2-1)\*3.5  
 N=Number of poles

Tolerance	DimA/B/C
2*2P-2*6P	±0.15
2*7P-2*12P	±0.25
2*13P-2*14P	±0.30



Rev.	SIGN	DATE	DESCRIPTION	APPROVER
B	—	12/11'19	The first release	Johnson

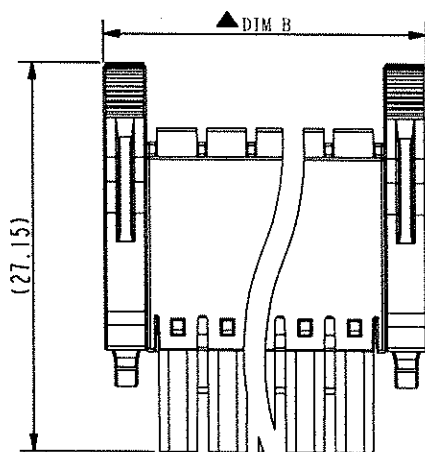
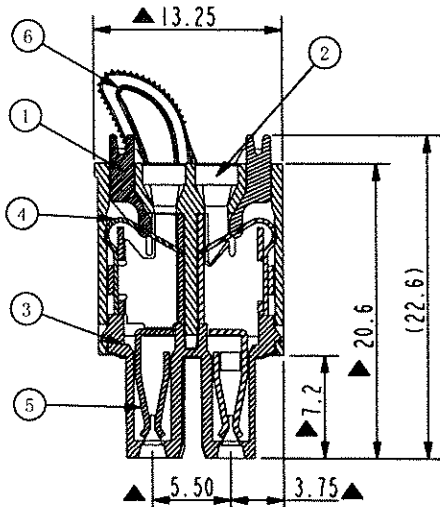
**THIS IS CRBO DRAWING, DO NOT REVISE MANUALLY!!!**

Material

- Item ① Lever: Thermoplastic (UL94V-0) Orange (RAL2011/P)
- Item ② Top housing: Thermoplastic (UL94V-0)
- Item ③ Down housing: Thermoplastic (UL94V-0)
- Item ④ Spring clamp: Stainless steel
- Item ⑤ contact: high-conductivity copper Bright Tin Plated.
- Item ⑥ Operating lever: Thermoplastic (UL94V-0) Orange (RAL2011/P)

Electrical

- Voltage rating: 300V
- Current rating: 8A
- Wire range:
  - Solid wire (AWG): 16-24
  - Stranded wire (AWG): 16-24
- Wire strip length: 9-10mm
- Withstanding Voltage: 1.6KV
- Operating temperature: -40°C to +115°C
- Safety Approval:
- Critical dimension: ▲



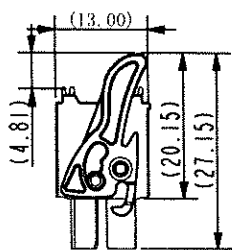
NL xx 1 1 x 3 xxxx G

- No. OF POLES
- 04: 2\*2 poles
  - 06: 2\*3 poles
  - :
  - 28: 2\*14 poles

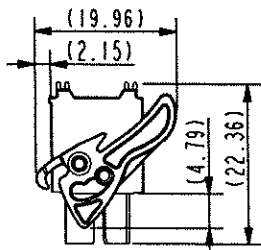
- Body color
- 0 Black (RAL9005)
  - 2 Red (RAL3001/D)
  - 3 Orange (RAL2011/P)
  - 4 Yellow (RAL1018/A)
  - 5 Green (RAL6018/T)
  - 6 Blue (RAL5015/A)
  - 8 Grey (RAL7035/D)
  - 9 White (RAL1102)
  - C Green (RAL 6018/U)

RoHS compliant  
 (lead<4%)  
 In copper Alloy

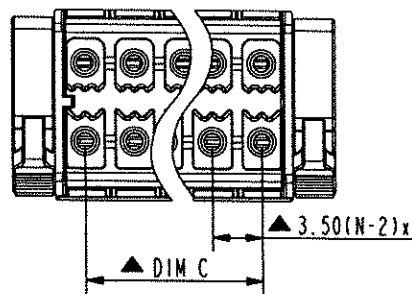
0000: "@" Logo (Standard)  
 000A: "ANYTEK" Mark  
 Any special item by customer request please contact sales department.



LOCKING



RELEASING



Amphenol ANYTEK				CUSTOMER COPY			
ALL RIGHTS RESERVED. REPRODUCTION OR ISSUE TO THIRD PARTIES IN ANY FORM WHATSOEVER IS NOT PERMITTED WITHOUT WRITTEN AUTHORITY FROM THE PROPRIETOR. PROPERTY OF ANYTEK TECHNOLOGY CO., LTD							
TITLE:	NL 3.5mm Series with operating lever						
PART NO.	NLxx10x3xxxxG			DWG NO.	8NL3002		
APPROVED	CHECKED	DESIGNED	DRAWN	CUST NO.	Tolerance		
		Johnson	Johnson		X	±0.5	
		2019.12.11	2019.12.11		X.X	±0.3	
					X.XX	±0.1	
					X	±1	
SHEET: 1 / 1				UNIT: mm	SCALE: 1:1		
				REV.: B			