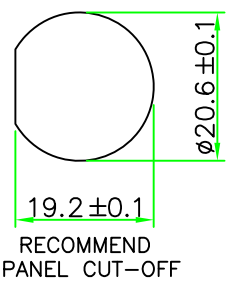
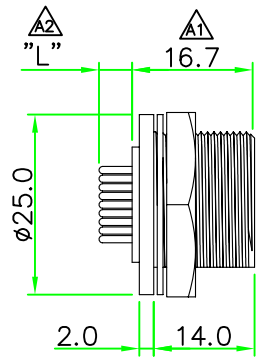


REV.	DESCRIPTION	DATE
A	ISSUE	Apr/27/2015
A1	Change dimension	Jul/17/2015
A2	Add Pin Assignment & PCB Layout	May/31/2017



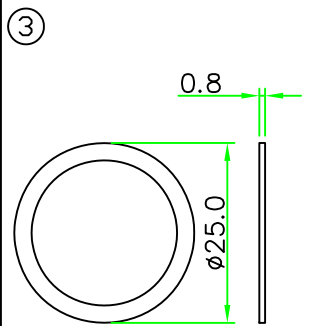
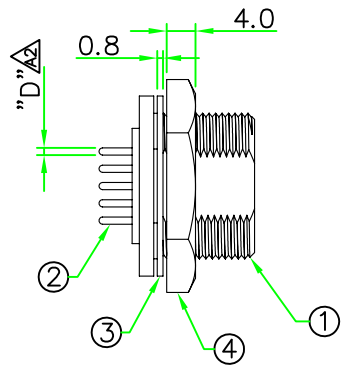
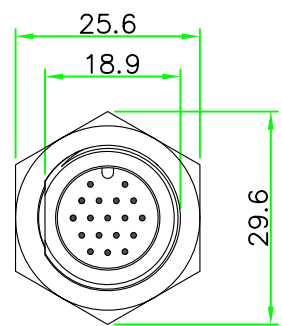
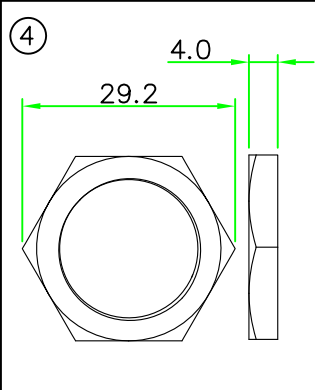
P/N No.	L	D
CCP	4.1	φ1.25
CCD	4.7	φ1.0
CCN	4.4	φ1.0



- NOTES:
- ELECTRICAL CHARACTERISTICS:
CURRENT RATING: 2A / 5A / 10A
CONNECTOR TEMPERATURE RANGE: -25°C TO +85°C
DIELECTRIC WITHSTANDING VOLTAGE:
500V AC FOR ONE MINUTE
 - PANEL THICKNESS MAX. 4.0mm
 - HOW TO ORDER: CCx-P1xxCPR

- 04 - 4 PIN
 - 05 - 5 PIN
 - 06 - 6 PIN
 - 09 - 9 PIN
 - 10 - 10 PIN
 - 12 - 12 PIN
 - 14 - 14 PIN
 - 18 - 18 PIN
- N - CURRENT RATING 2A
D - CURRENT RATING 5A
P - CURRENT RATING 10A

RoHS
IP66~68



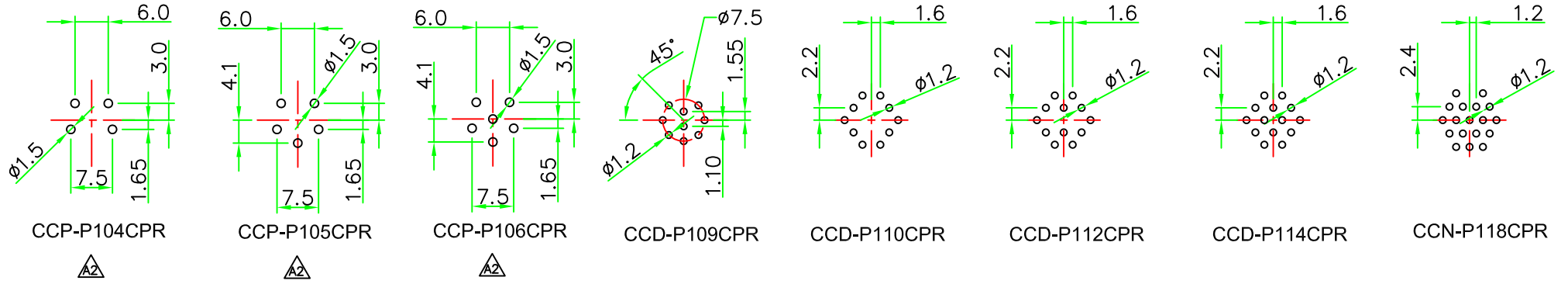
PIN ASSIGNMENT AND PCB LAYOUT SEE NEXT PAGE

No.	PART NAME	DESCRIPTION	COLOR	Q'TY	REMARKS
4	HEX NUT	Nylon + GF.	BLACK	1	
3	GASKET	EPDM.	BLACK	1	
2	CONTACT	Brass , 6 u" Gold Plated . Male Contact.		N	
1	CONNECTOR	C Size Male Connector Insert.Nylon+GF.	BLACK	1	

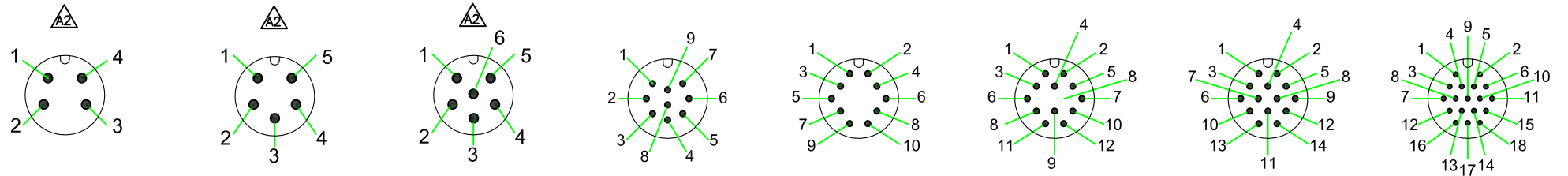
HOLIN® HTP ASIA TECHNOLOGY CO., LTD.
禾凌科技股份有限公司

UNIT: mm	TITLE :	CIRCULAR C SIZE MALE PIN SCREW TYPE ROUND FLANGE REAR PANEL MOUNT PCB PIN
SCALE 1:1	P/N:	CCx-P1xxCPR
UNLESS OTHERWISE SPECIFIED TOLERANCES: .x ± 0.25 .xx ± 0.1 .xxx ± 0.05 ANGLE ± 1'	DR.	SIBYL
REV. A2	SHEET 1/2	DWG.NO: CCx-P1xxCPR
		CH. ERIC
		AP.

REV.	DESCRIPTION	DATE
A	ISSUE	Apr/27/2015
A1	Change dimension	Jul/17/2015
A2	Add Pin Assignment & PCB Layout	May/31/2017



PCB LAYOUT



PIN ASSIGNMENT FRONT VIEW(前視圖)

HOLIN[®] HTP ASIA TECHNOLOGY CO., LTD. 禾凌科技股份有限公司			
	UNIT: mm	TITLE : CIRCULAR C SIZE MALE PIN SCREW TYPE ROUND FLANGE REAR PANEL MOUNT PCB PIN	
SCALE	1:1		
UNLESS OTHERWISE SPECIFIED TOLERANCES: .x ± 0.25 .xx ± 0.1 .xxx ± 0.05 ANGLE ± 1'		P/N:	CCx-P1xxCPR
REV.	SHEET	DWG.NO:	CCx-P1xxCPR
A2	2/2		DR. SIBYL CH. ERIC AP.