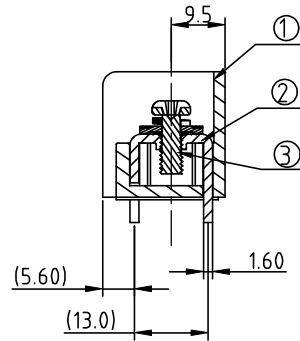
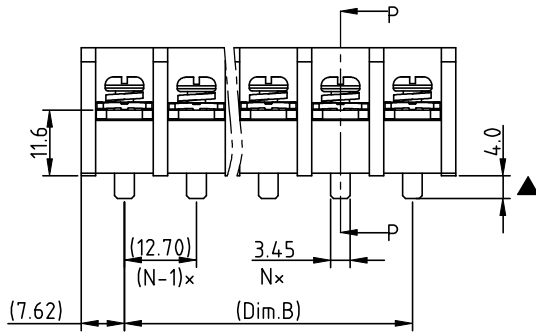
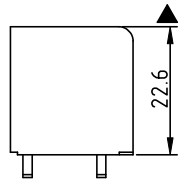
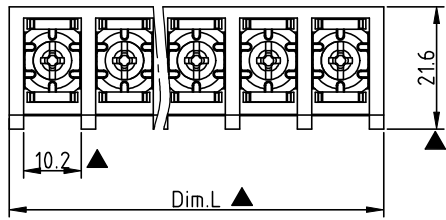
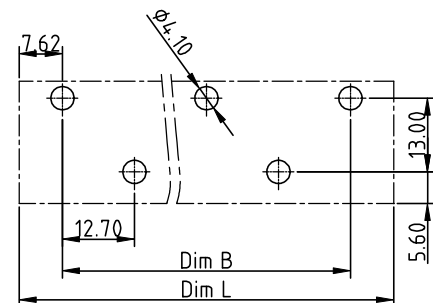
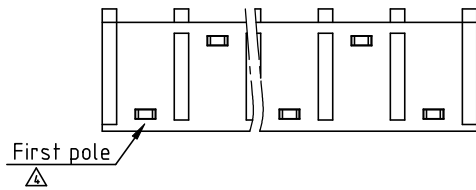


RoHS Compliant



SECTION P-P



P.C.B LAYOUT (Top View)

N= Number of poles
 Dim.B= (N-1)x12.7
 Dim.L= (N-1)x12.7+15.24

POLE	2P~8P	9P~15P	16P~20P
Dim.L	±0.40	±0.50	±0.60

Rev	SIGN	DATE	DESCRIPTION	APPROVER
B	△	2/24'09	The Withstand Vol changed from 2000V/min to 2500V/min	Kind
C	△	2/23'11	Add approval "cULus"	Tason
	△	2/23'11	Screw torque value changed from 18Kgf.cm to 16lb-In	Tason
D	△	5/07'12	Add the description of "first pole"	Guoxue
	△	5/07'12	Add the "TOP VIEW"	Guoxue
E	△	12/11'12	Change the screw plating specification	Jacky
	△	12/11'12	Change the dimensional tolerance	Jacky
F	△	03/05'19	Add the "TUV"	PansLee
	△	03/05'19	Modify the drawing frame and update the critical dimension	PansLee
	△	03/05'19	Add the reference dimension and note description	PansLee

THIS IS CAD DRAWING, DO NOT REVISE MANUALLY!!!

- △ Electrical: cULus / TUV
- MATERIALS ELECTRICAL: 600 V, 45A / 600 V, 57A
- RATED VOLTAGE & CURRENT: AC 2500 V/Min / AC 3000 V/Min
- △ WITHSTAND VOLTAGE: 1000 MΩ OR MORE AT DC 500 V
- INSULATION RESISTANCE: -40 °C to +125 °C / -40 °C to +120 °C
- OPERATING TEMPERATURE RANGE: 16lb-In / 1.8N.m
- △ SCREW TORQUE VALUE: 18 - 8 AWG / 18 - 8 AWG
- WIRE RANGE: THERMOPLASTICS, UL94-V0 BLACK BRASS, 1.6t,
- 1) BODY: STEEL, M4.0
- 2) TERMINAL: THERMOPLASTICS, UL94-V0 BLACK BRASS, 1.6t,
- 3) TERMINAL SCREWS WITH WASHER: STEEL, M4.0
- △ APPROVAL:
- △ Critical dimension: ▲
- △ Reference dimension: (x) The dimensions of pitch are just for reference, take the actual assembly result as a judgment when inserting the terminal block into the PCB hole.

YK 881 xx 0 x x 00G

- NO. OF POLES: 02: 2 POLES, 03: 3 POLES, 04: 4 POLES, ..., 20: 20 POLES
- MARK: 0: "@ " MARK, 1: "ANY" MARK
- RoHS compliant (lead<4%) In copper Alloy
- TERMINAL & SCREW PLATED: 0: TERMINAL & SCREW: G/F, 1: TERMINAL: G/F, SCREW: Zinc, 2: TERMINAL: Sn, SCREW: G/F, 3: TERMINAL: Sn, SCREW: Zinc

Amphenol ANYTEK

CUSTOMER COPY

ALL RIGHTS RESERVED. REPRODUCTION OR ISSUE TO THIRD PARTIES IN ANY FORM WHATSOEVER IS NOT PERMITTED WITHOUT WRITTEN AUTHORITY FROM THE PROPRIETOR. PROPERTY OF ANYTEK TECHNOLOGY CO., LTD

TITLE	YK881 SERIES				DWG NO.	8YK0001-881	
PART NO.	YK881xx0xx00G			CUST NO.			
APPROVED	CHECKED	DESIGNED	DRAWN	UNIT: mm SCALE: NONE SHEET: 01/01 REV.: F			
		PansLee 2019.03.05	PansLee 2019.03.05				
				Tolerance			
				X.	±0.50		
				X.X	±0.30		
				X.XX	±0.10		
				X°	±1°		