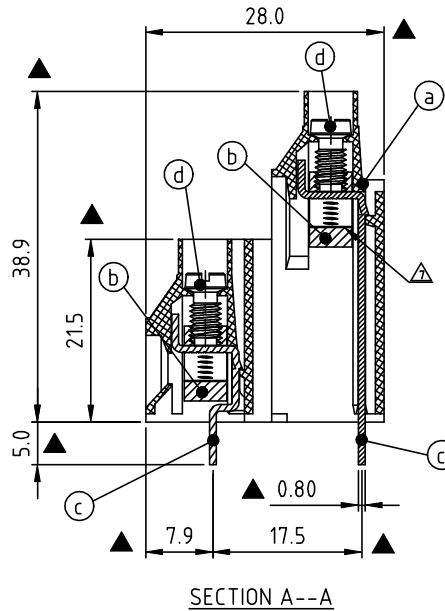
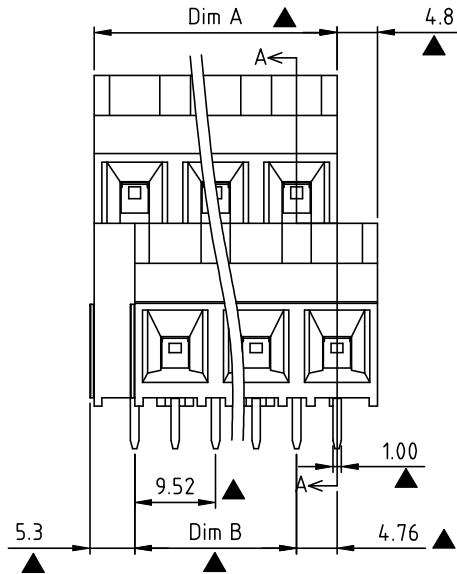
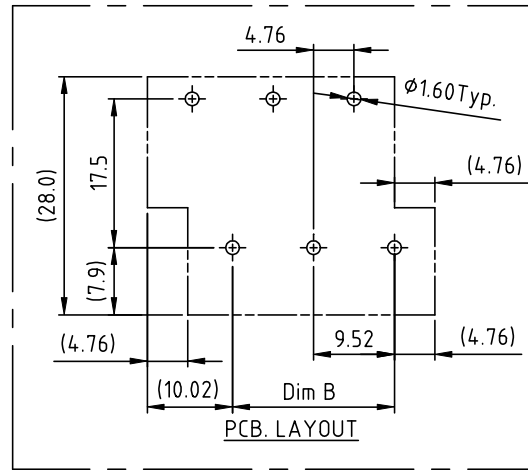
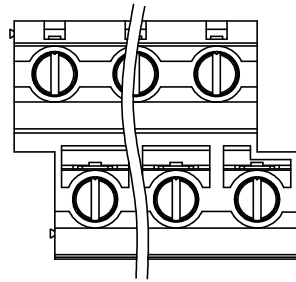


RoHS Compliant



SIGN	DATE	DESCRIPTION	APPROVER
△	6/22'06	Touque is changed from 3.5Lb-In to 5.2Lb-In	Marvin
△	01/18'07	Soldering temperature changed from 245° to 260°	Tason
△	01/18'07	Part NO is Changed	Tason
△	11/16'07	Screw is Changed from M3.0 to M3.5	Marvin
△	09/14'09	Operating temperature Changed	Aaron
△	09/14'09	Wire guard solder pin is Changed from Brass to Copper	Aaron
△	08/04'10	Clamp is changed	Aaron

THIS IS CAD DRAWING, DO NOT REVISE MANUALLY!!!

Material:

- Item① Terminal housing:Thermoplastic (UL 94V-0)
- Item② Clamp: Brass ,Ni plated
- △ ● Item③ Wire guard solder pin: Copper ,Tin plated
- Item④ Terminal screw: Steel Zinc plating"- "slot type

Electrical cULus

- Voltage rating: 300VAC
- Current rating: 30A
- Wire range:
- Solid wire(AWG): 10-30
- Stranded wire(AWG): 10-30
- △ ● Torque(Lb-In): 5.2
- △ ● Screw: M3.5
- Wire strip length: 10-11mm
- Withstanding Voltage: 1.6KV
- △ ● Operating temperature: -40°C to +115°C
- △ ● Soldering temperature: 260°C±5°C/5 Sec
- Safety approval: cULus

Critical dimension: ▲

△ VV xx 21 x 0 xxxx G G RoHS compliant (lead<4%) In copper Alloy

No. of poles end stackable design	Color	Standard
0	Black (RAL9005)	0000 Standard @ Logo
2	Red (RAL3001/D)	000A Standard ANY Logo
04 2x2 POLES	3 Orange(RAL2011/P)	Any special item by customer request, please contact sales department.
06 2x3 POLES	4 Yellow(RAL1018/A)	
...	5 Green(RAL6018/T)	
32 2x16 POLES	6 Blue (RAL5015/A)	
	8 Grey(RAL7035/D)	

Poles	02	03	04	05	06	07	08	09	10	11	12	13	14	15	16
Dim L	19.04	28.56	38.08	47.60	57.12	66.64	76.16	85.68	95.20	104.72	114.24	123.76	133.28	142.80	152.32
Dim B	9.52	19.04	28.56	38.08	47.60	57.12	66.64	76.16	85.68	95.20	104.72	114.24	123.76	133.28	142.80
TOL	±0.20					±0.30					±0.40				

Amphenol ANYTEK

CUSTOMER COPY

ALL RIGHTS RESERVED. REPRODUCTION OR ISSUE TO THIRD PARTIES IN ANY FORM WHATSOEVER IS NOT PERMITTED WITHOUT WRITTEN AUTHORITY FROM THE PROPRIETOR. PROPERTY OF ANYTEK TECHNOLOGY CO., LTD

TITLE		VV- 9.52mm series 2x2P-2x16P			
PART NO.		VVxx21x0xxxxG		DWG NO. 8VV0101	
APPROVED	CHECKED	DESIGNED	DRAWN	CUST NO.	
		Guoxue 2018.01.25	Guoxue 2018.01.25		
				UNIT: mm	X. ±0.50
				SCALE: NONE	X.X ±0.30
				SHEET: 01/01	X.XX ±0.10
				REV.: H	X° ±1°