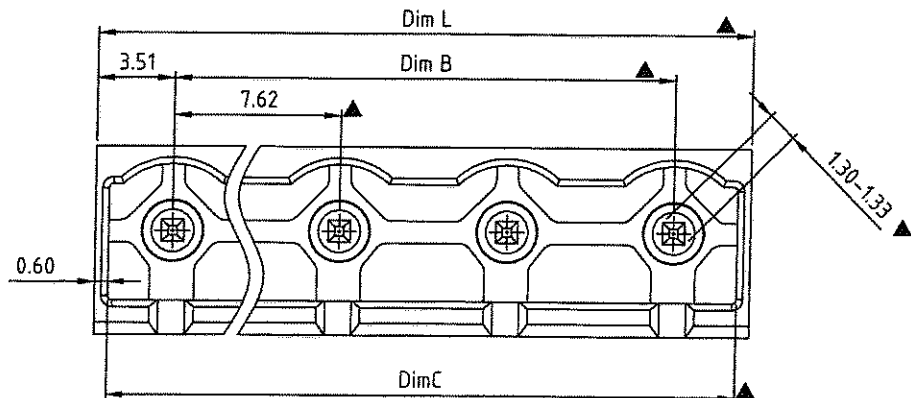


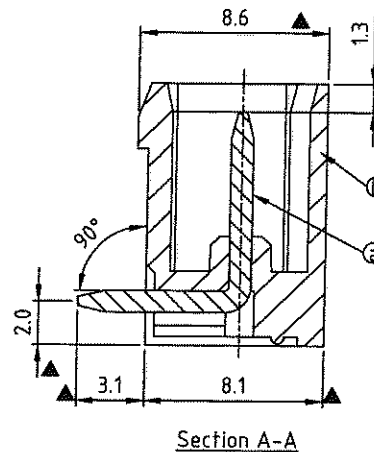
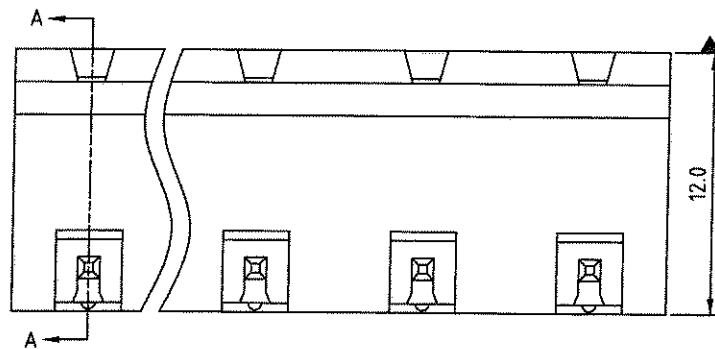
RoHS Compliant

REV	SIGN	DATE	DESCRIPTION	APPROVER
B		06/25-18	Initial release	Chen Bo
THIS IS CAD DRAWING, DO NOT REVISE MANUALLY!!!				



Material:
 ● Item ③ Male contact pin: Copper, Bright Tin plated over Nickel plated
 ● Item ④ Terminal(housing): Thermoplastic (UL94V-0)

Electrical: cULus
 ● Voltage rating: 300V
 ● Current rating: 20A
 ● Withstanding Voltage: 1.6 KV
 ● Operating temperature: -40°C to +115°C
 ● Wave soldering temperature: 260°C±5°C/5 Sec
 ● Safety Approval: cULus
 ● Critical dimension: ▲

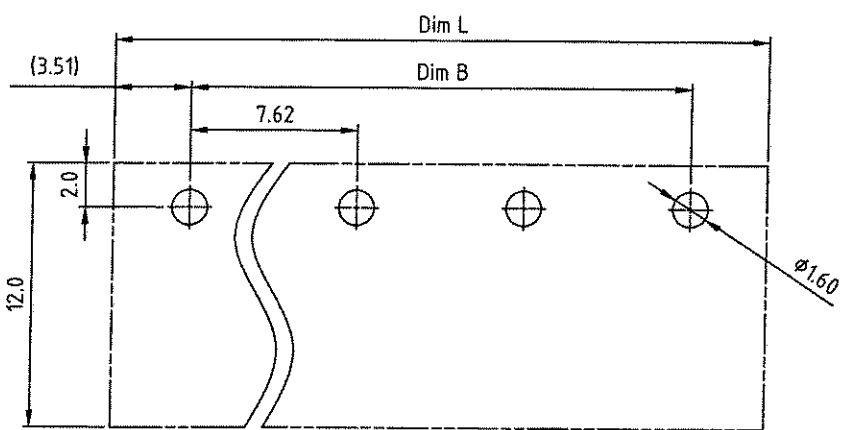


OQ xx 0 1 x A xxxx G

No. OF POLES
 02: 2 POLES
 :
 16: 16 POLES

COLOR
 0 Black (RAL9005)
 2 Red (RAL3001/D)
 3 Orange(RAL2011/P)
 4 Yellow(RAL1018/A)
 5 Green(RAL6018/T)
 6 Blue (RAL5015/A)
 8 Grey(RAL7035/D)
 9 White(RAL1102)
 C Green(RAL6018/U)

G RoHS compliant (lead<4%)
 In copper Alloy
 0000: "@" Logo (Standard)
 000A: "ANYTEK" Mark
 Any special item by customer request, please contact sales department.



DIMENSION

DimL	Nx7.62-0.60
DimB	(N-1)x7.62
DimC	(N-1)x7.62+5.82

N= Number of poles

Poles	Tolerance
2P-6P	±0.20
7P-12P	±0.30
13P-16P	±0.40

Amphenol ANYTEK

CUSTOMER COPY

ALL RIGHTS RESERVED. REPRODUCTION OR ISSUE TO THIRD PARTIES IN ANY FORM WHATSOEVER IS NOT PERMITTED WITHOUT WRITTEN AUTHORITY FROM THE PROPRIETOR. PROPERTY OF ANYTEK TECHNOLOGY CO., LTD

TITLE		OQ 7.62 mm Series (Reverse bending)		
PART NO.	OQxx01xAxxxxG	DWG NO.	80Q.03105	
APPROVED	CHECKED	DESIGNED	DRAWN	CUST NO.
		Chen Bo 06/25-18	Chen Bo 06/19-18	
SHEET: 01/01				Tolerance X. ±0.50 X.X ±0.30 X.XX ±0.10 X* ±1°
		UNIT: mm	SCALE: NONE	
		REV: B		